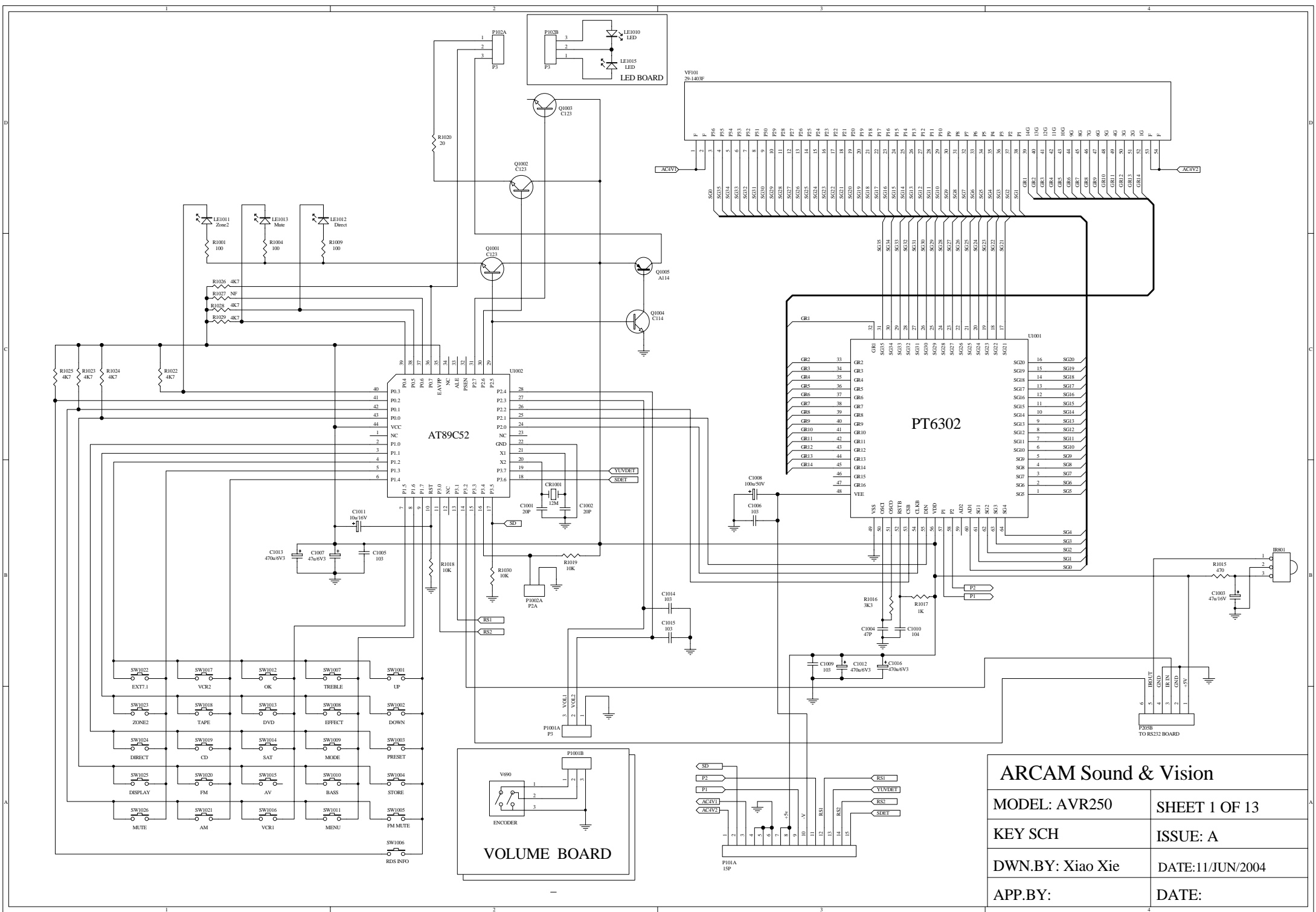


AVR250

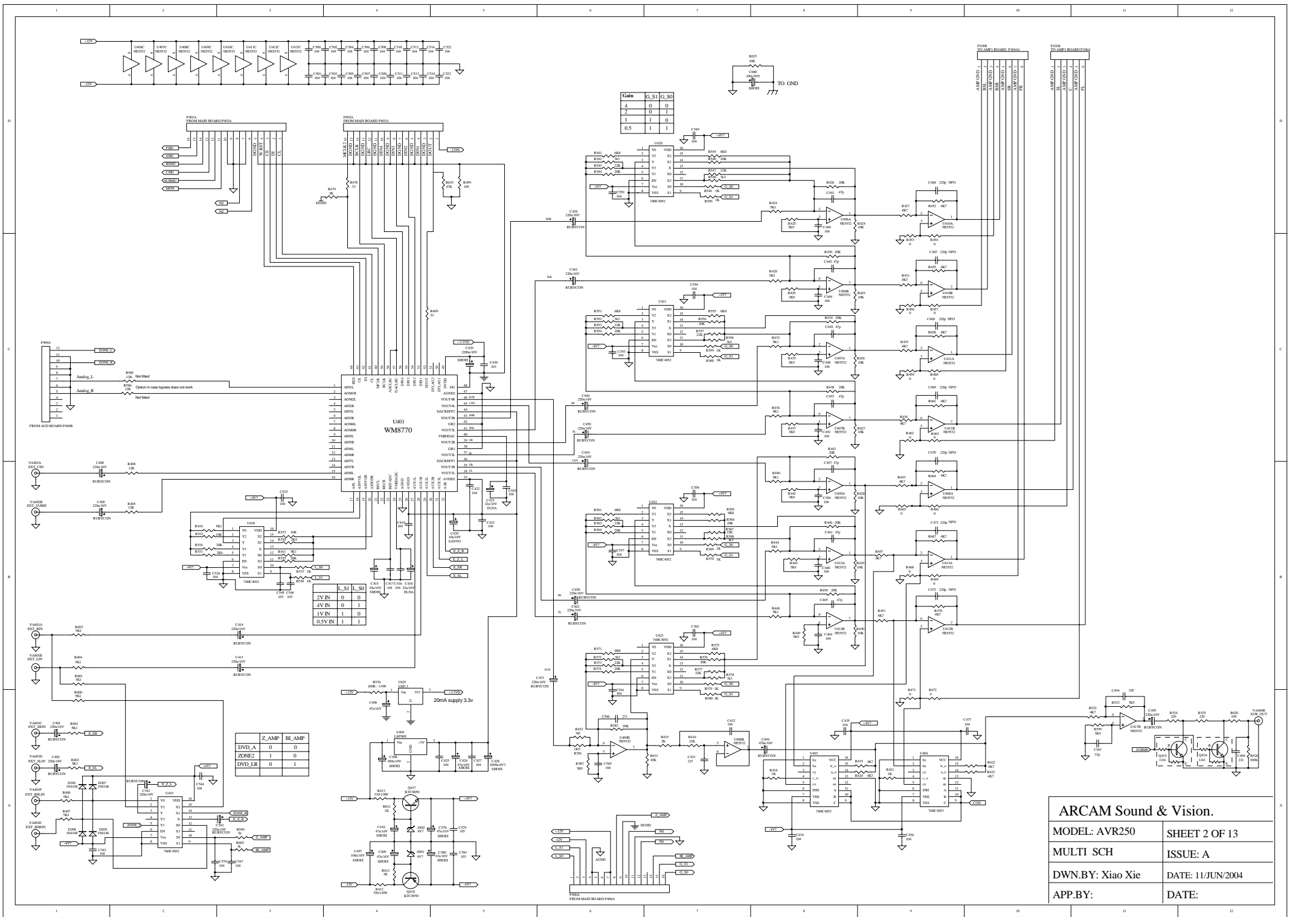
Downloaded from <http://receiverfaq.ru/>

AVR250 Circuit diagrams





ARCAM Sound & Vision	
MODEL: AVR250	SHEET 1 OF 13
KEY SCH	ISSUE: A
DWN.BY: Xiao Xie	DATE: 11/JUN/2004
APP.BY:	DATE:

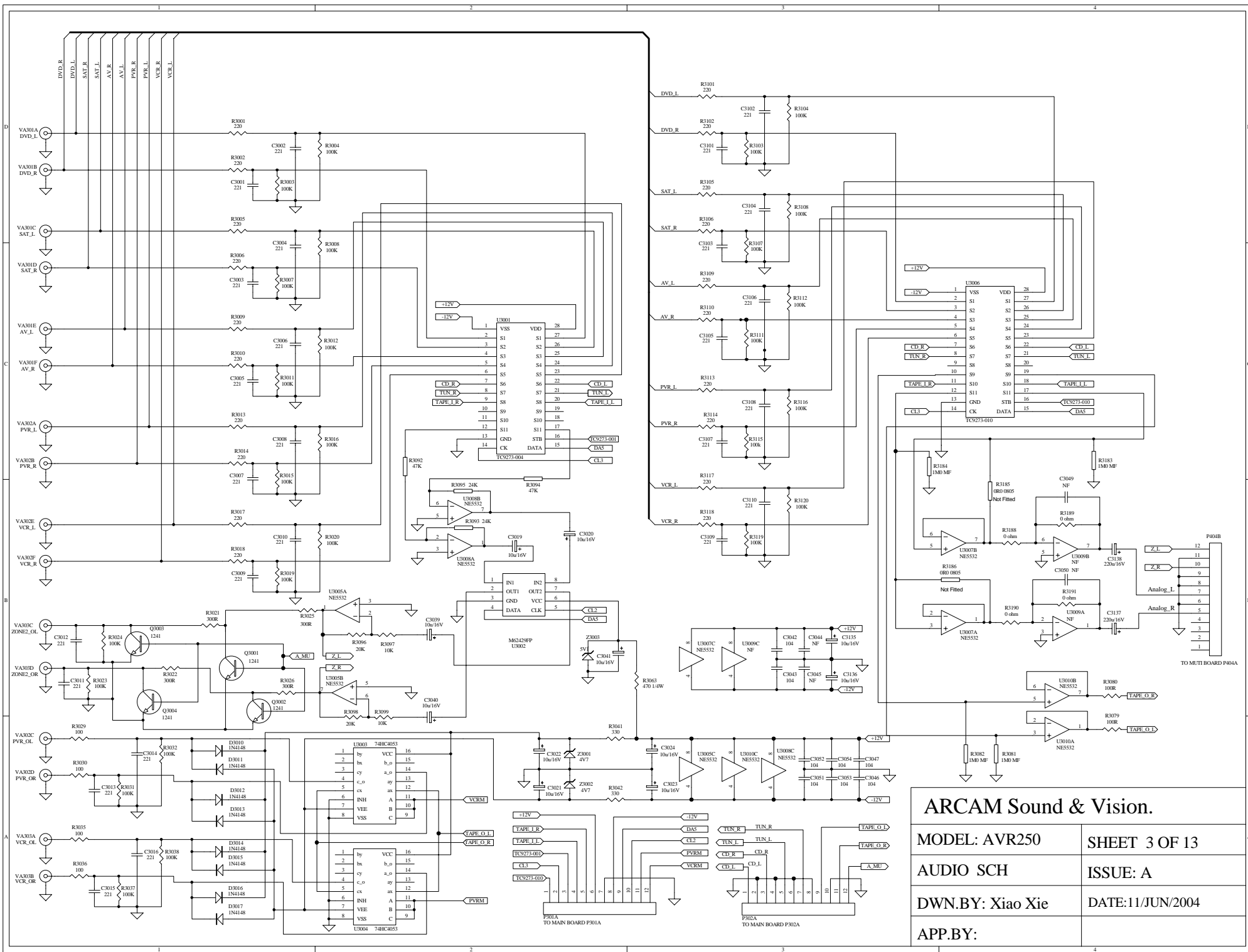


Gain	G.S1	G.S0
4	0	0
2	0	1
1	1	0
0.5	1	1

	L.S1	L.S0
2V IN	0	0
4V IN	0	1
1V IN	1	0
0.5V IN	1	1

	Z.AMP	BLAMP
DVD_A	0	0
ZONE2	1	0
DVD_LR	0	1

ARCAM Sound & Vision.	
MODEL: AVR250	SHEET 2 OF 13
MULTI SCH	ISSUE: A
DWN.BY: Xiao Xie	DATE: 11/JUN/2004
APP.BY:	DATE:



ARCAM Sound & Vision.

MODEL: AVR250

SHEET 3 OF 13

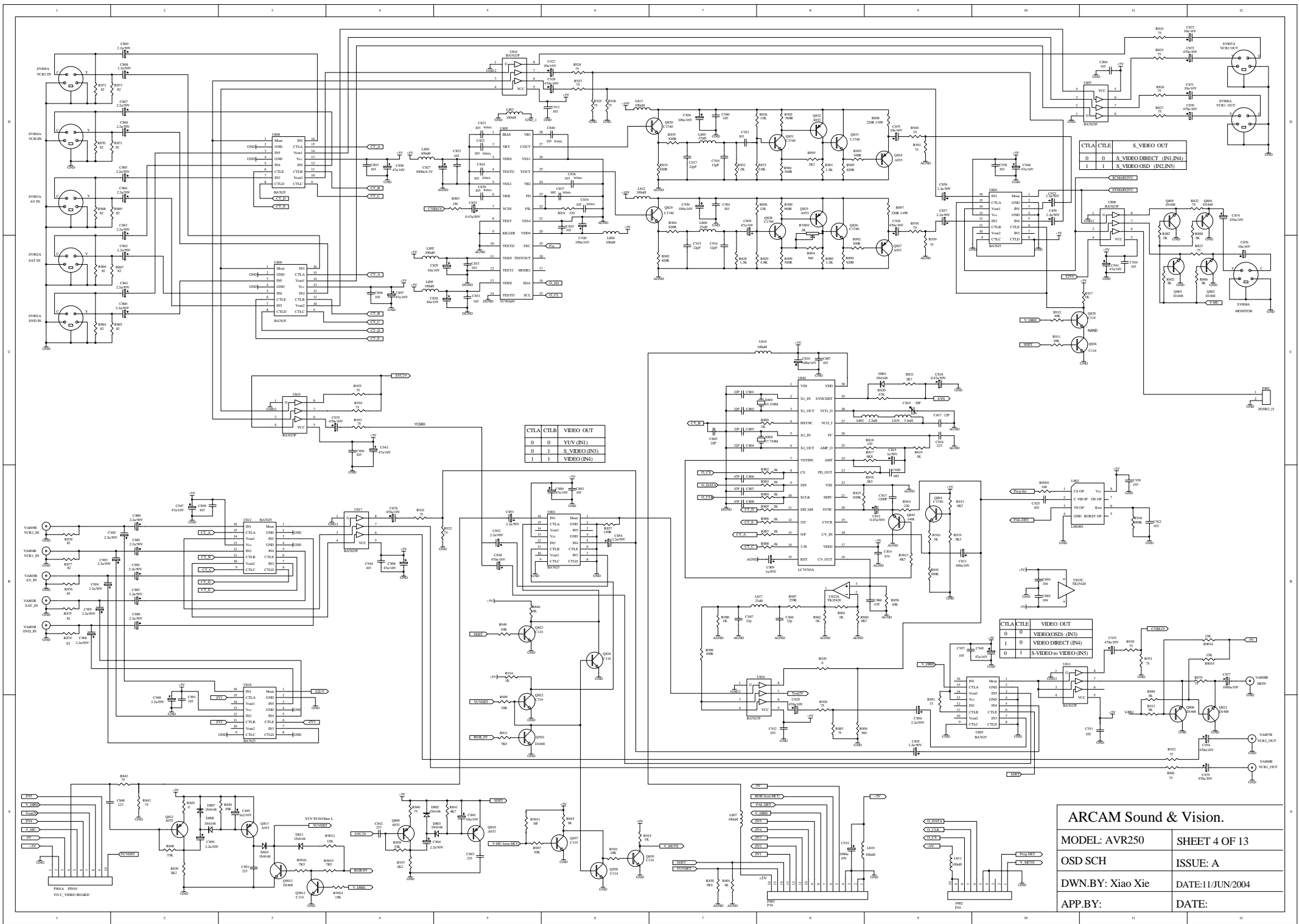
AUDIO SCH

ISSUE: A

DWN.BY: Xiao Xie

DATE:11/JUN/2004

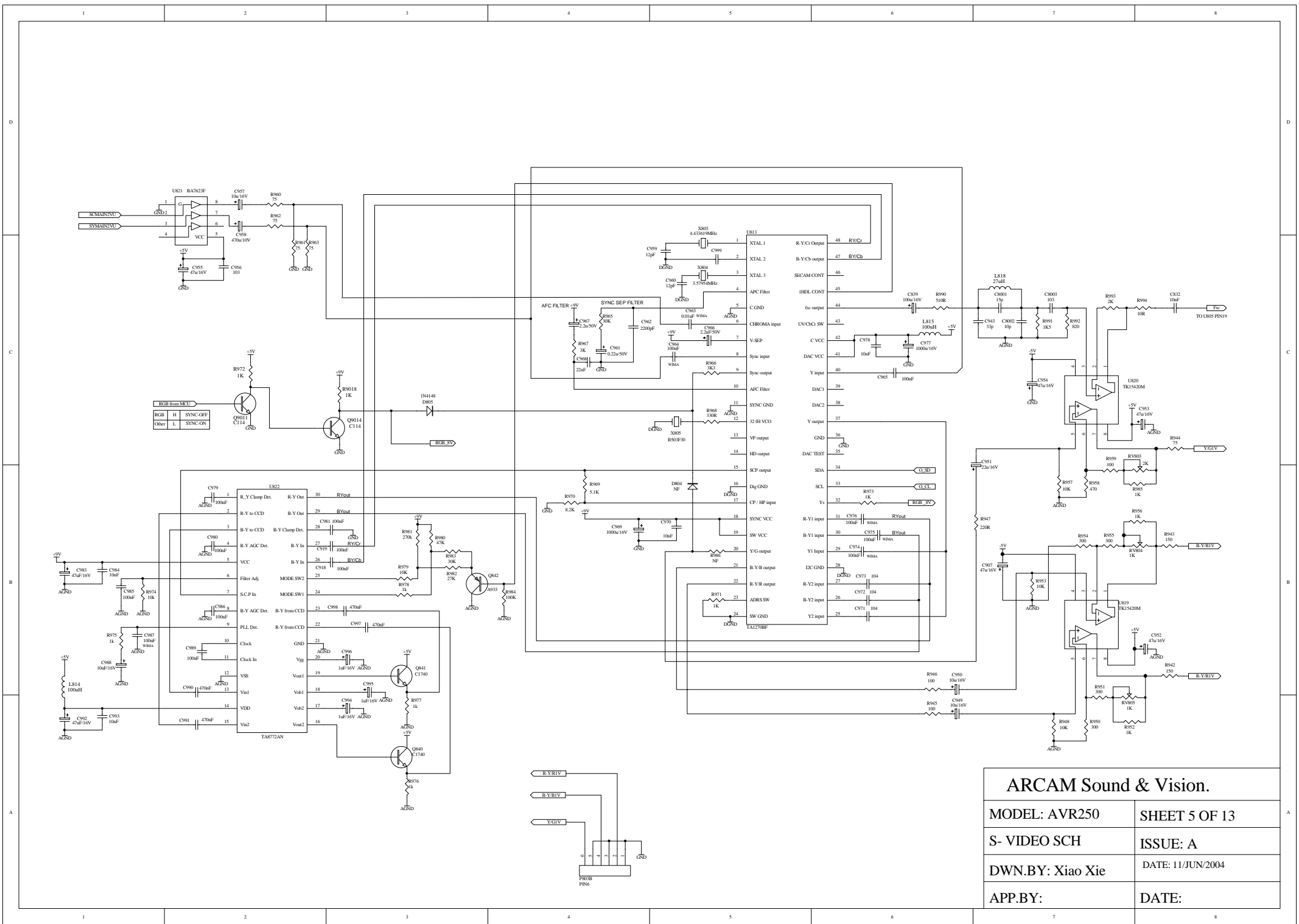
APP.BY:



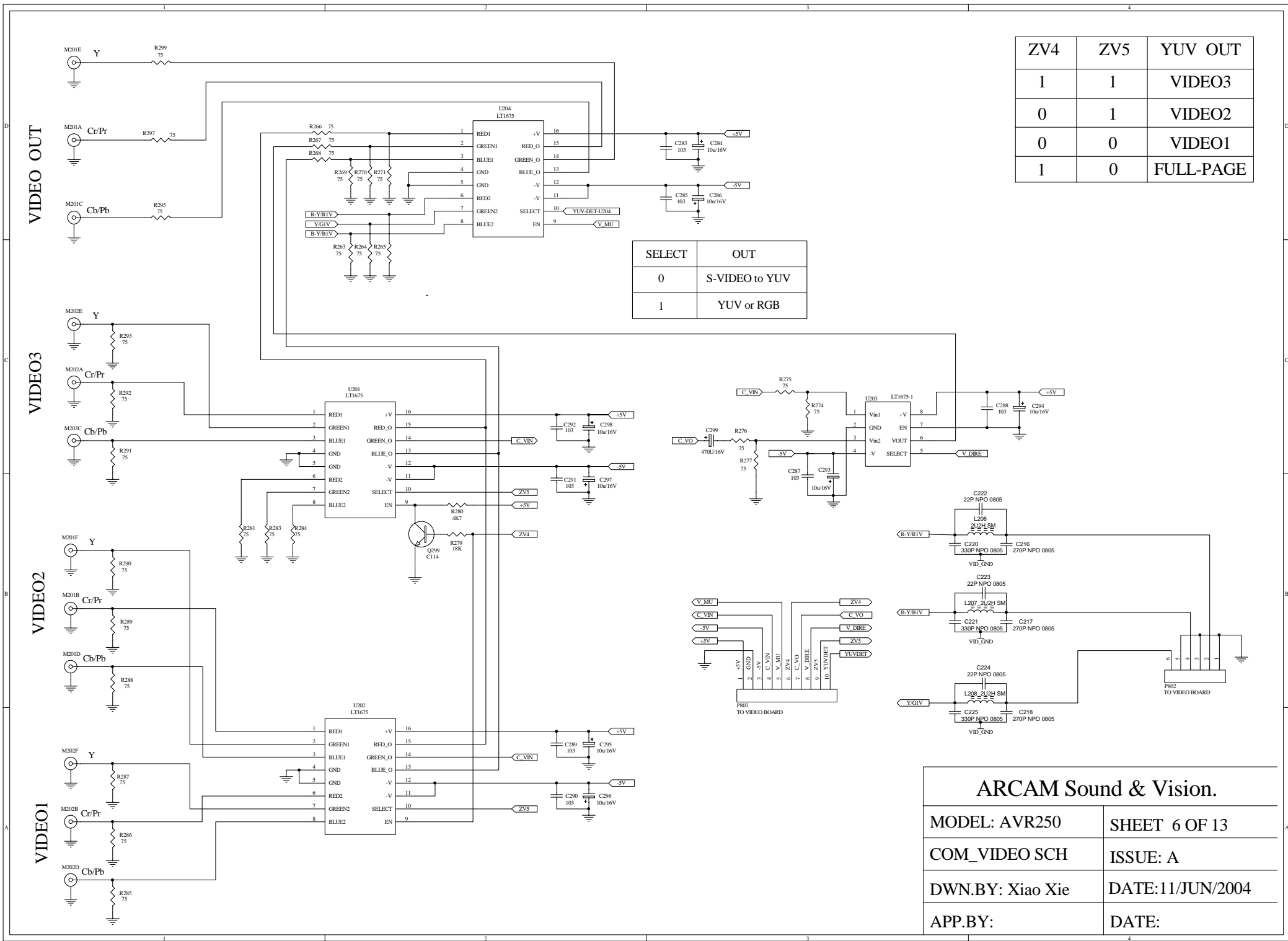
CTLA	CTLB	VIDEO OUT
0	0	YUV (IN1)
0	1	S-VIDEO (IN4)
1	1	VIDEO (IN4)

CTLA	CTLB	VIDEO OUT
0	0	VIDEO DIRECT (IN3)
0	1	S-VIDEO (IN5)

ARCAM Sound & Vision.	
MODEL: AVR250	SHEET 4 OF 13
OSD SCH	ISSUE: A
DWN.BY: Xiao Xie	DATE: 11/JUN/2004
APP.BY:	DATE:



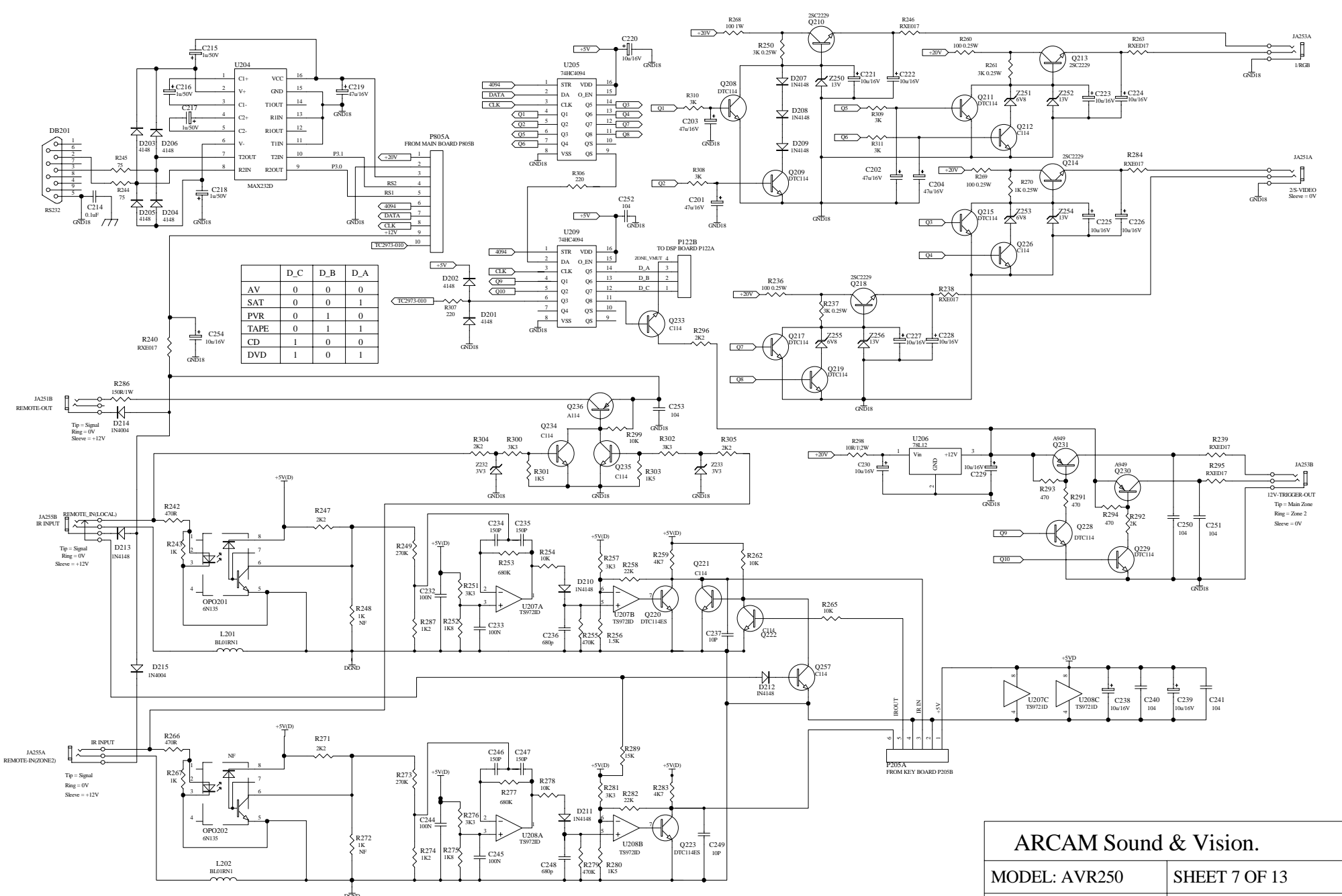
ARCAM Sound & Vision.	
MODEL: AVR250	SHEET 5 OF 13
S- VIDEO SCH	ISSUE: A
DWN.BY: Xiao Xie	DATE: 11/JUN/2004
APP.BY:	DATE:



ZV4	ZV5	YUV OUT
1	1	VIDEO3
0	1	VIDEO2
0	0	VIDEO1
1	0	FULL-PAGE

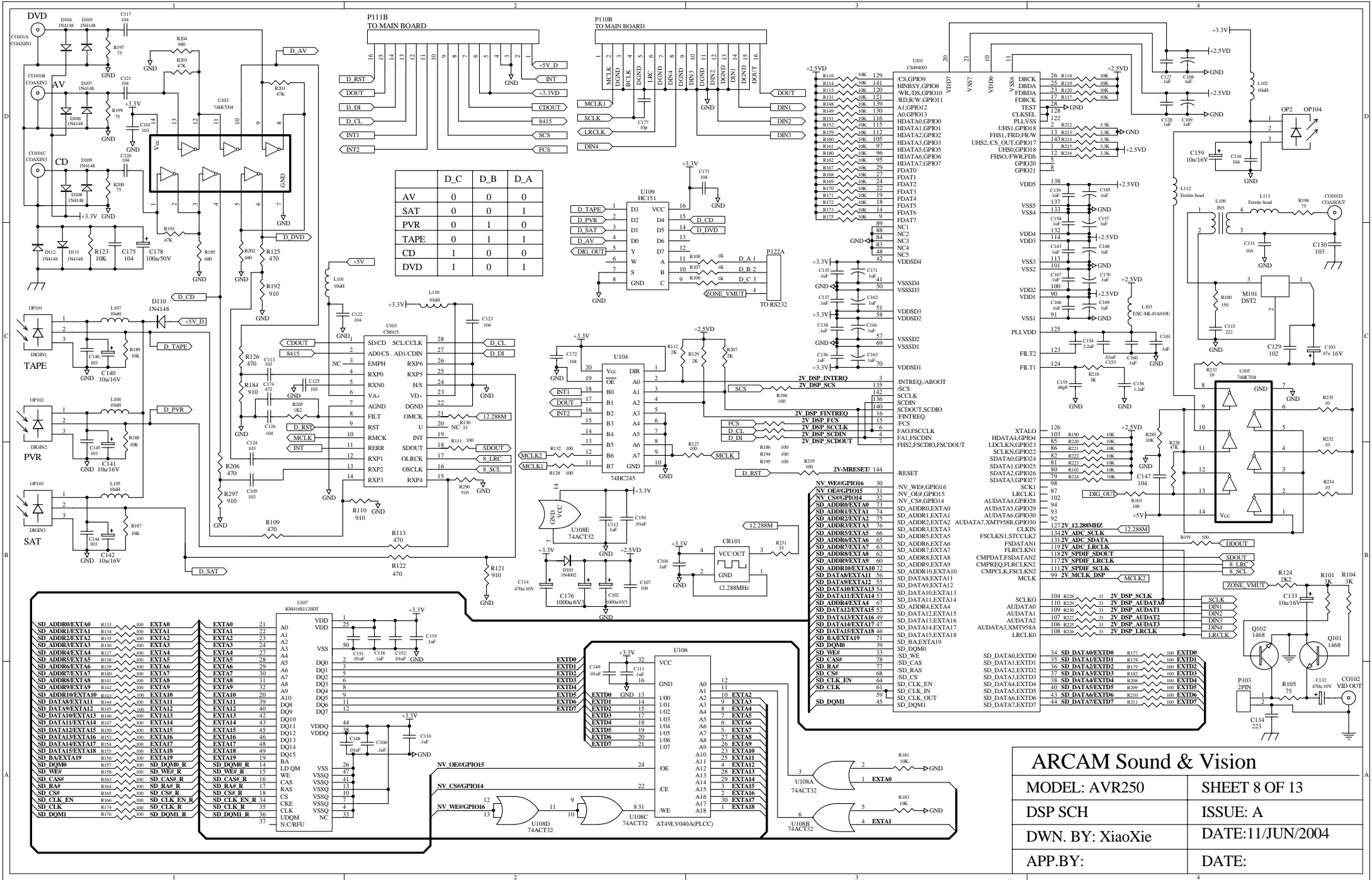
SELECT	OUT
0	S-VIDEO to YUV
1	YUV or RGB

ARCAM Sound & Vision.	
MODEL: AVR250	SHEET 6 OF 13
COM_VIDEO SCH	ISSUE: A
DWN.BY: Xiao Xie	DATE: 11/JUN/2004
APP.BY:	DATE:

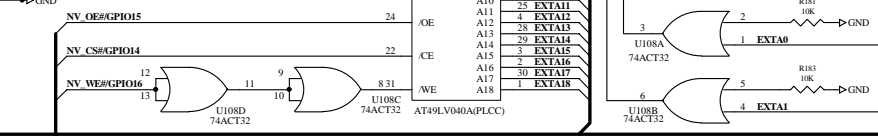


	D_C	D_B	D_A
AV	0	0	0
SAT	0	0	1
PVR	0	1	0
TAPE	0	1	1
CD	1	0	0
DVD	1	0	1

ARCAM Sound & Vision.	
MODEL: AVR250	SHEET 7 OF 13
RS232 SCH	ISSUE: A
DWN.BY: Xiao Xie	DATE:11/JUN/2004
APP.BY:	DATE:

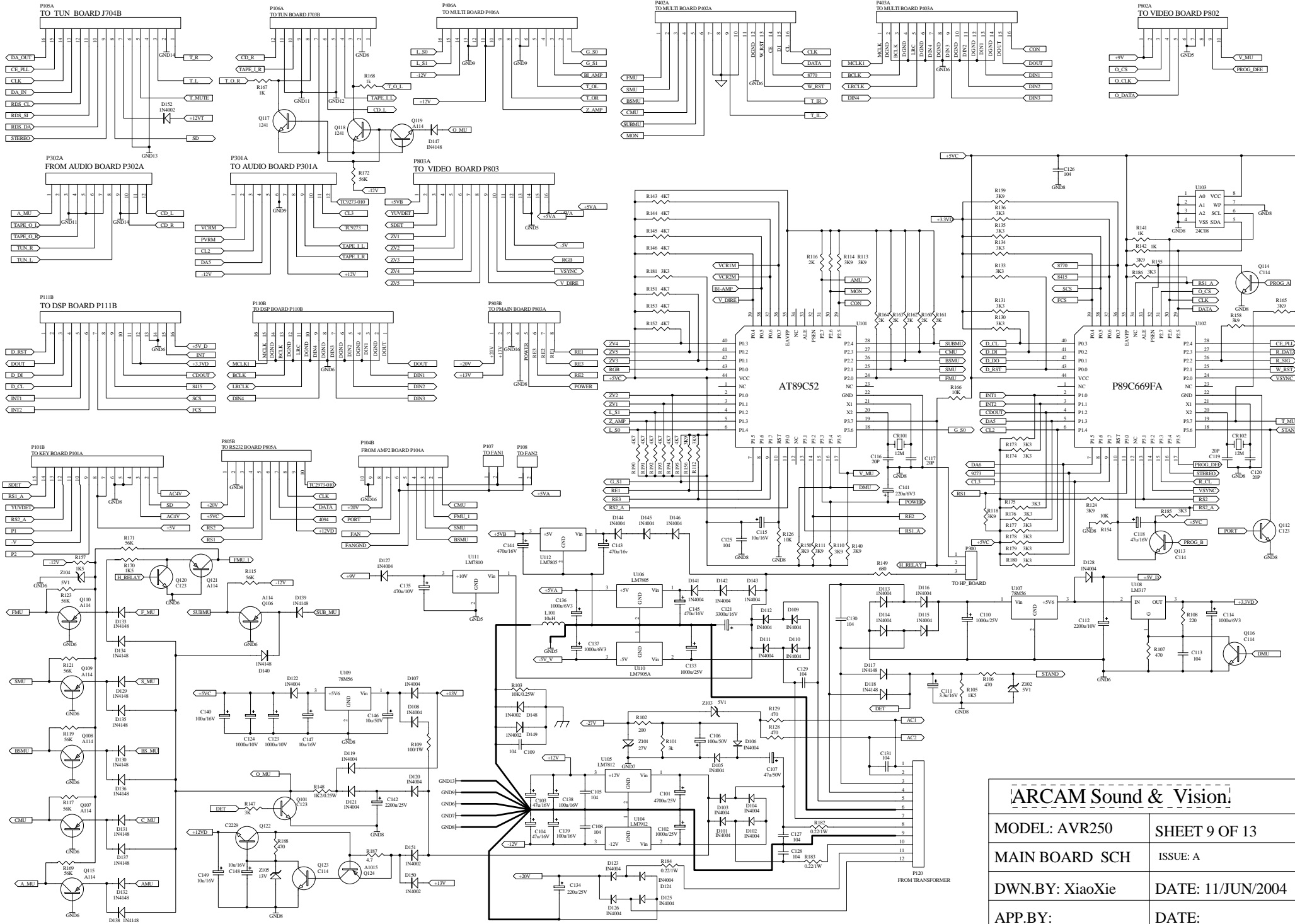


	D_C	D_B	D_A
AV	0	0	0
SAT	0	0	1
PVR	0	1	0
TAPE	0	1	1
CD	1	0	0
DVD	1	0	1

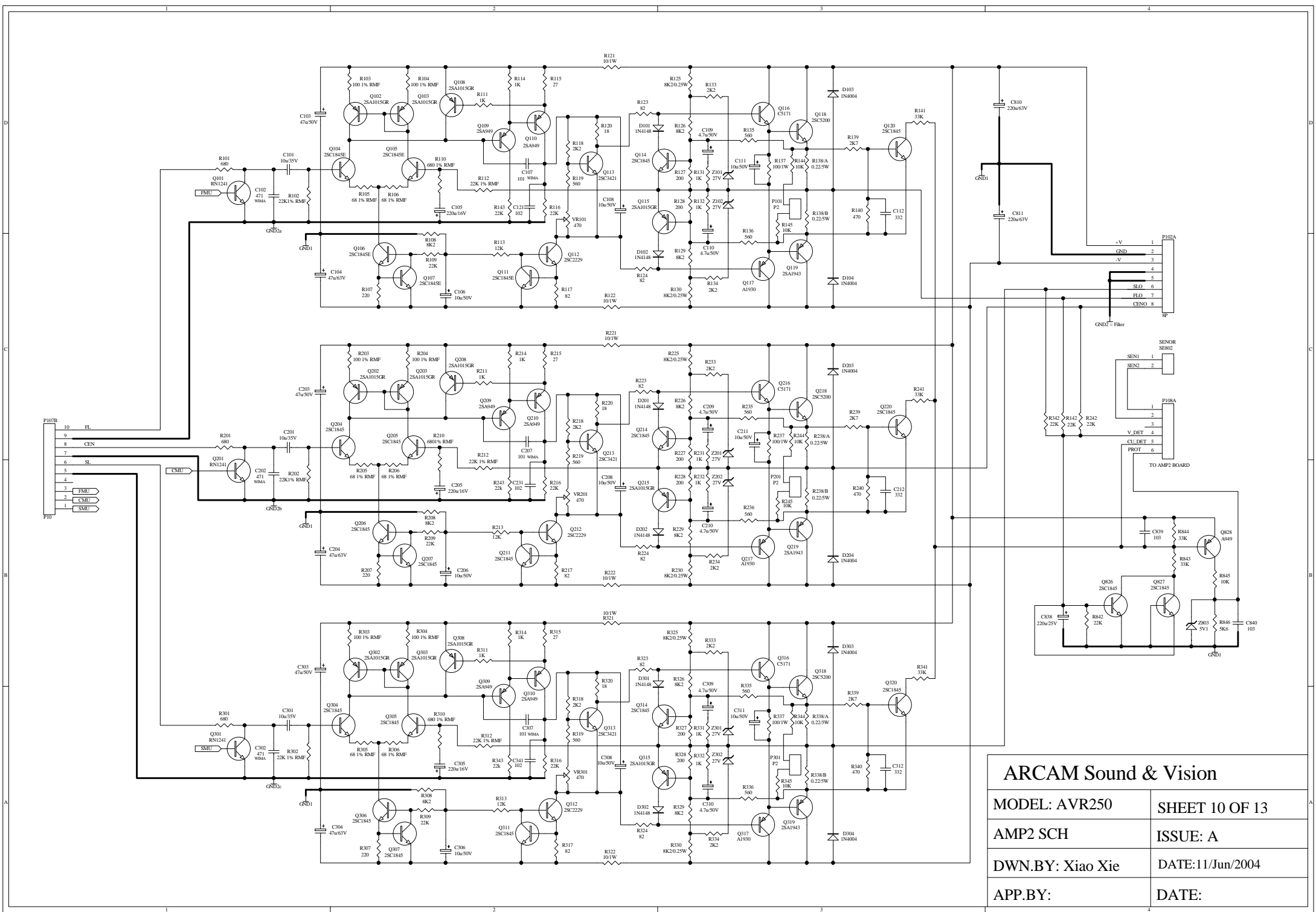


ARCAM Sound & Vision

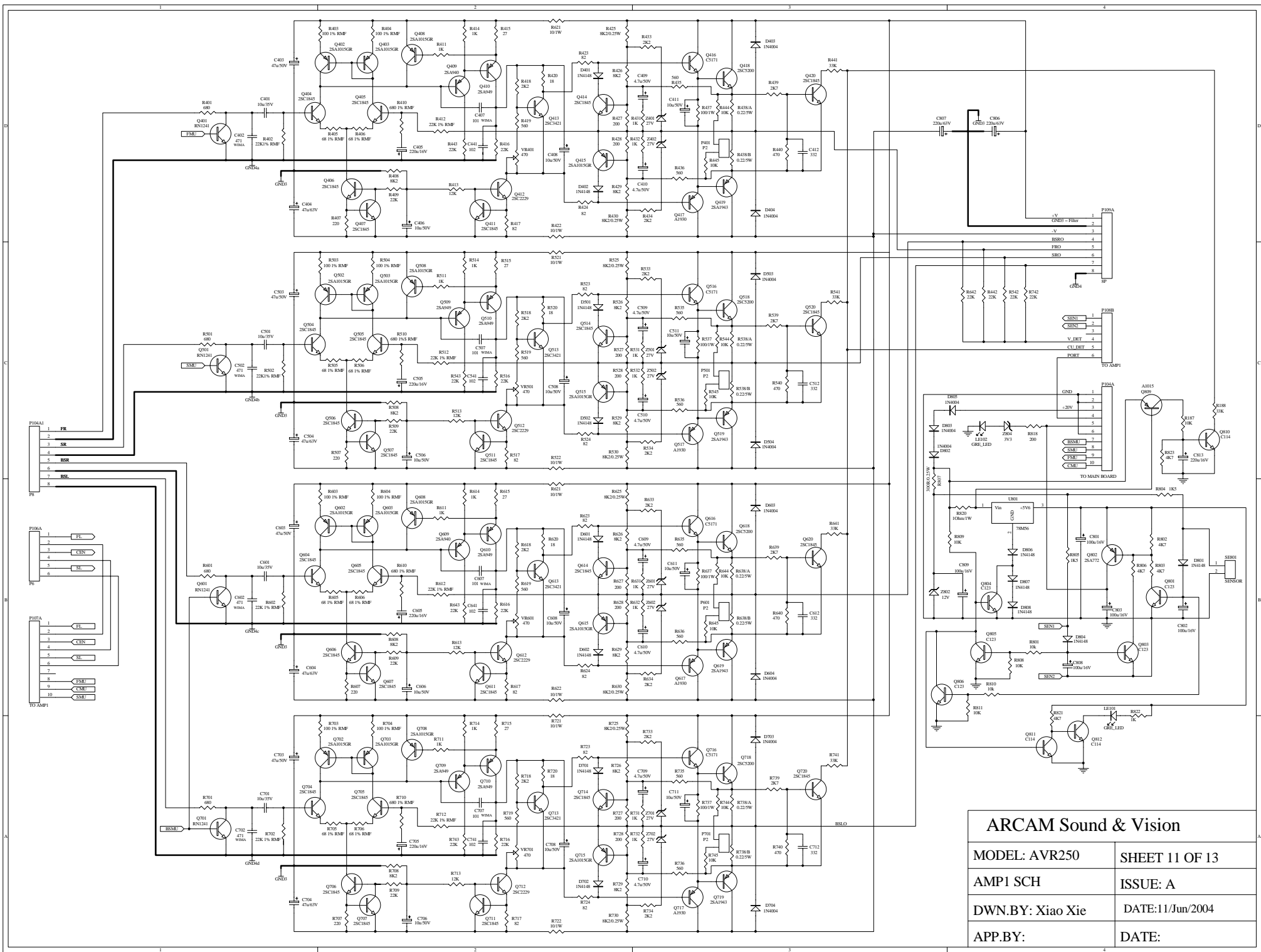
MODEL: AVR250	SHEET 8 OF 13
DSP SCH	ISSUE: A
DWN. BY: XiaoXie	DATE: 11/JUN/2004
APP. BY:	DATE:



ARCAM Sound & Vision	
MODEL: AVR250	SHEET 9 OF 13
MAIN BOARD SCH	ISSUE: A
DWN.BY: XiaoXie	DATE: 11/JUN/2004
APP.BY:	DATE:

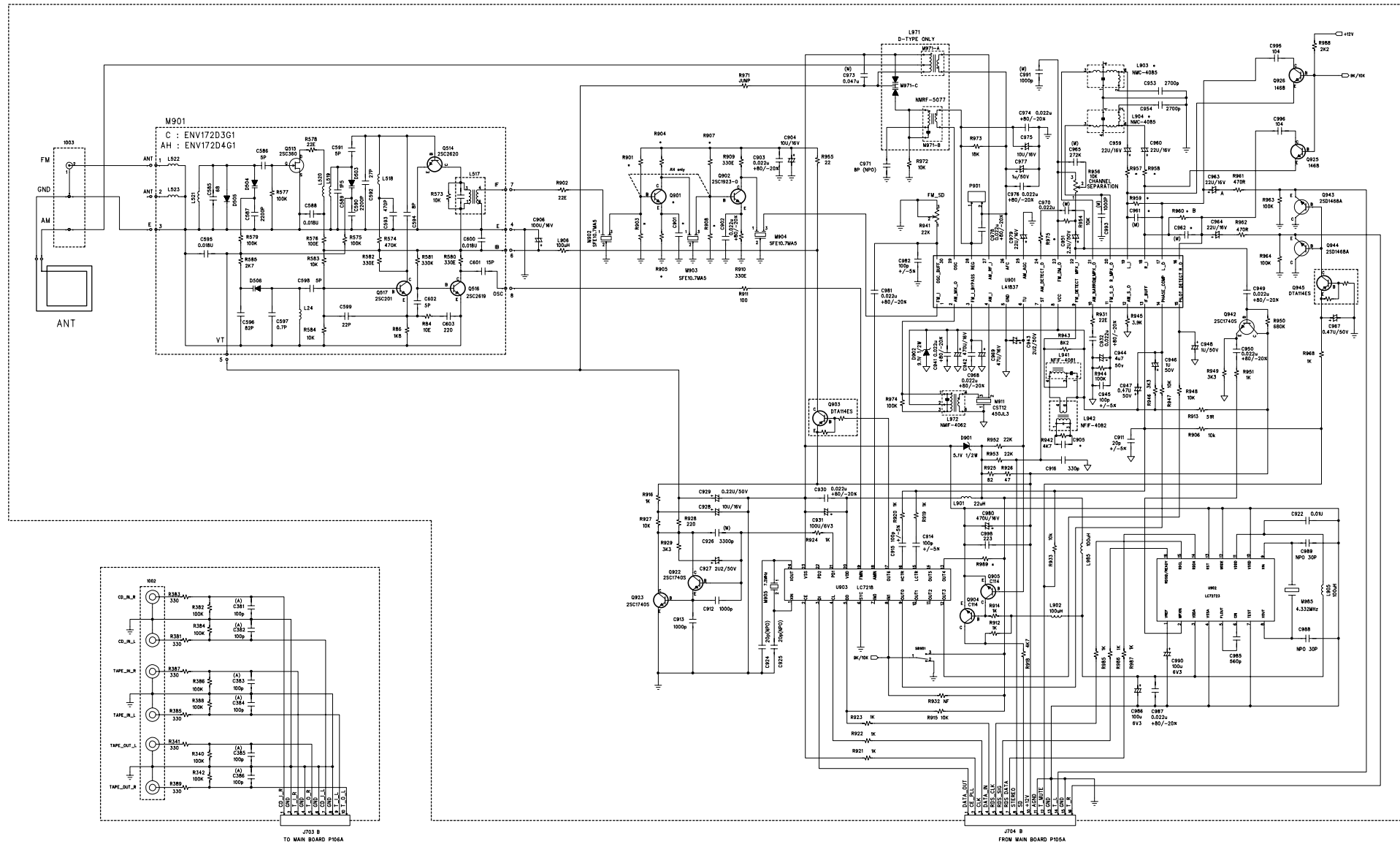


ARCAM Sound & Vision	
MODEL: AVR250	SHEET 10 OF 13
AMP2 SCH	ISSUE: A
DWN.BY: Xiao Xie	DATE:11/Jun/2004
APP.BY:	DATE:



ARCAM Sound & Vision	
MODEL: AVR250	SHEET 11 OF 13
AMP1 SCH	ISSUE: A
DWN.BY: Xiao Xie	DATE:11/Jun/2004
APP.BY:	DATE:

REVISION RECORD		
LTR	ECO NO.	APPROVED/DATE



ISSUE	DESCRIPTION	DATE	APPL. BY

ARCAM Sound & Vision.

TITLE: Schematic Diagram
TOWER SECTION

ORIGINAL COPY MODEL: AV2350
PART NO: 1725-6948-0000
SCH FILE: TUN_A_SCH
JOB FILE: - TUN0A JOB

© GPE INTERNATIONAL LTD. SHEET 13 OF 13 ISSUE A