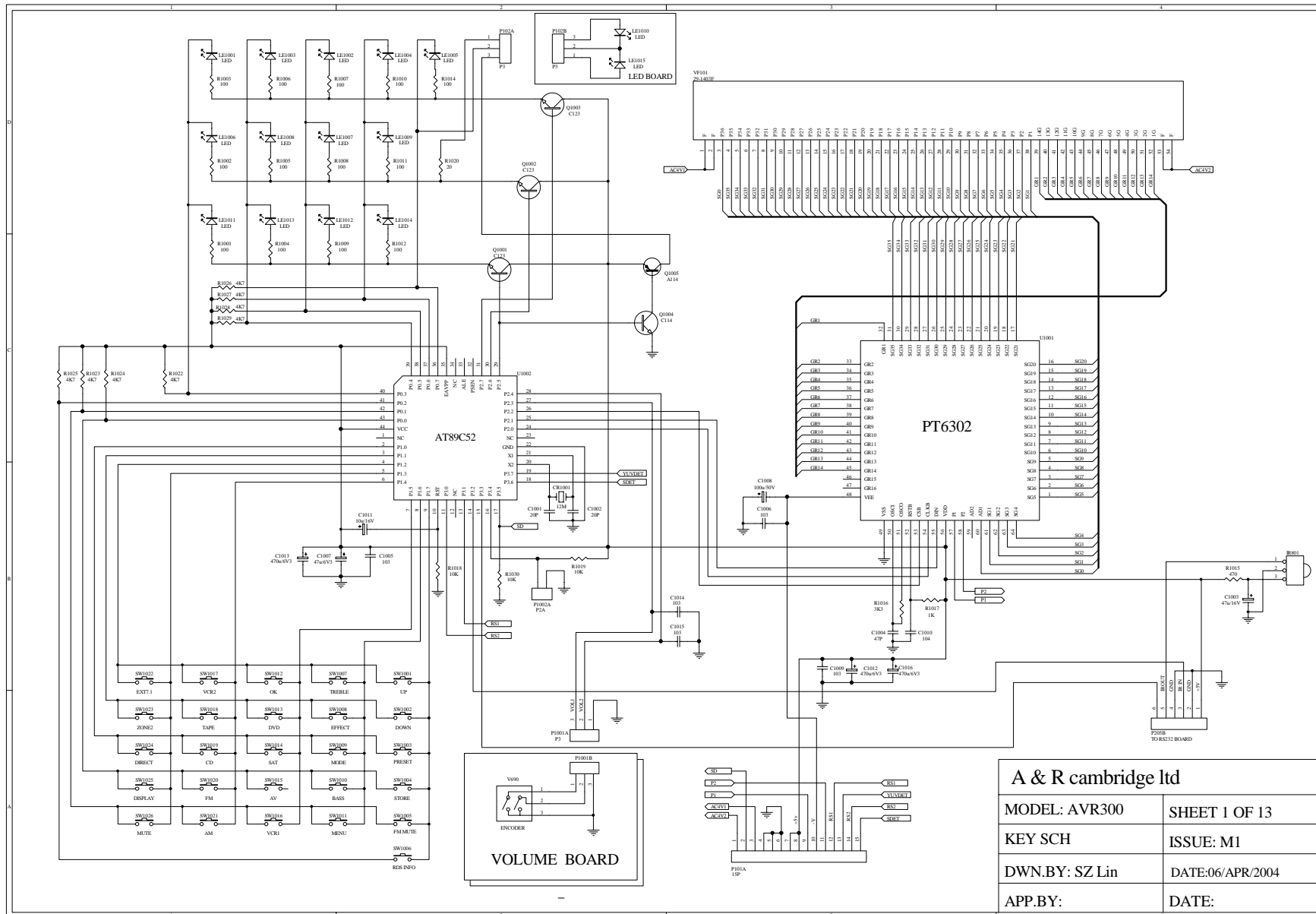


# AVR300

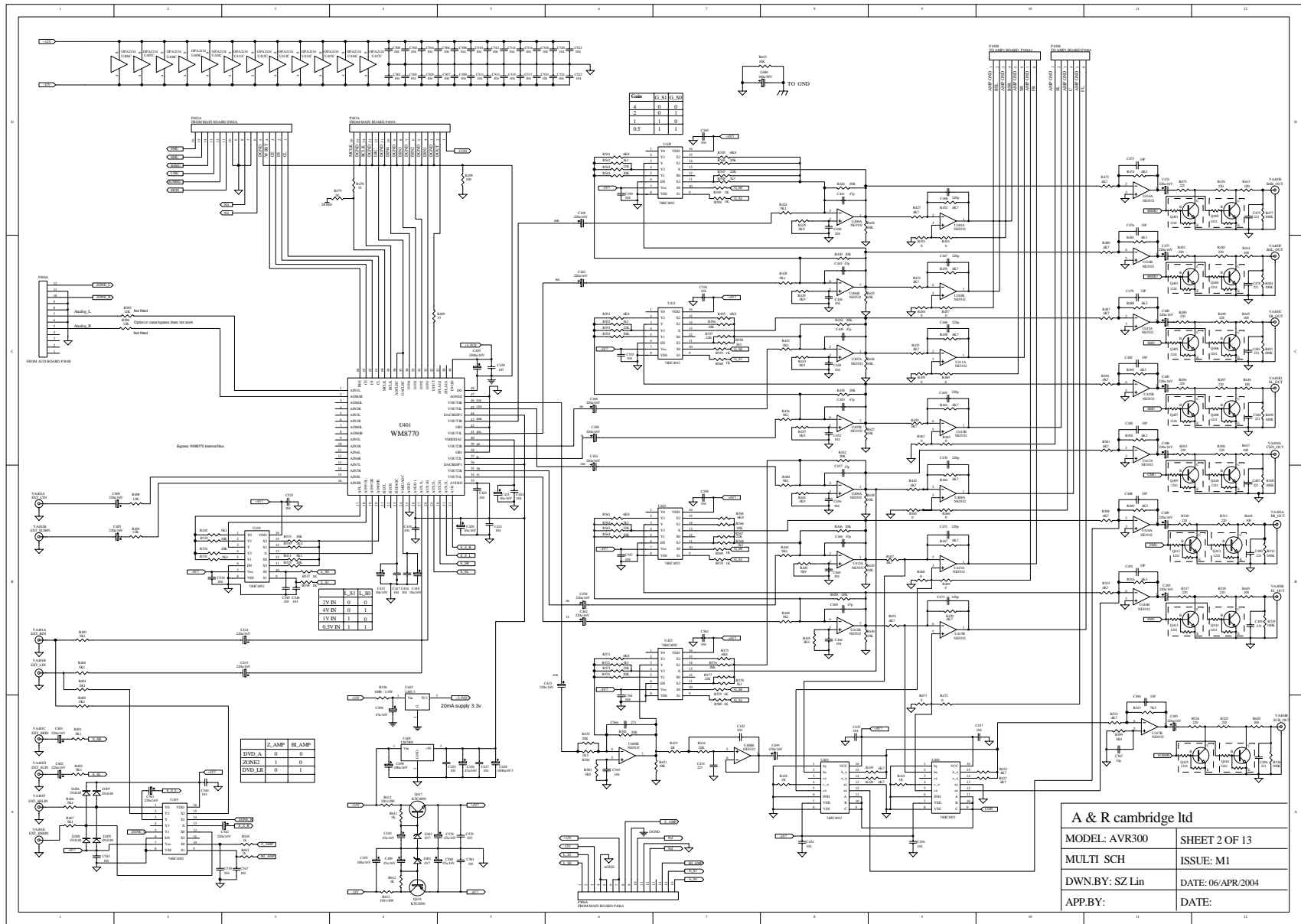
downloaded from <http://receiverfaq.ru/>

## AVR300 Circuit diagrams

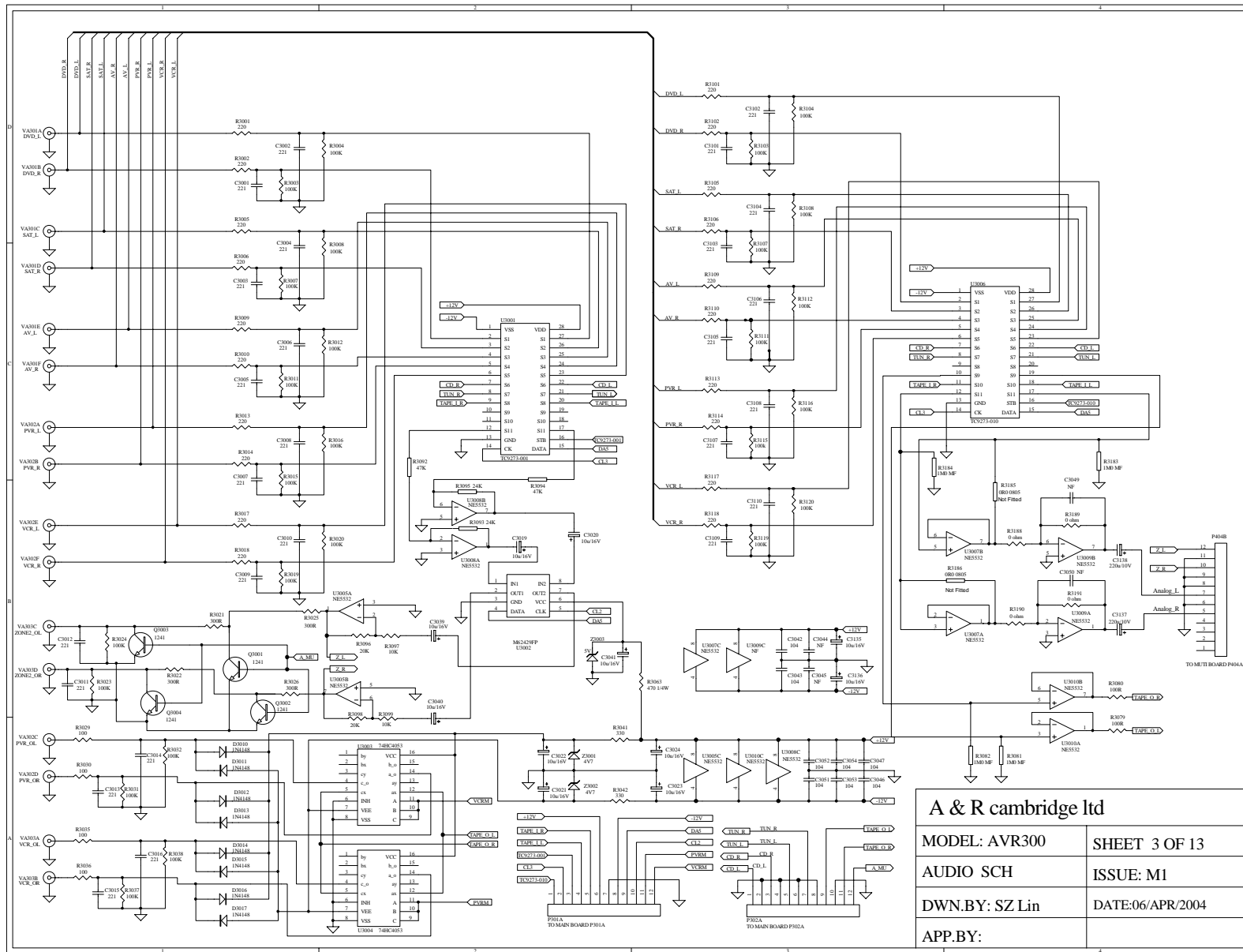




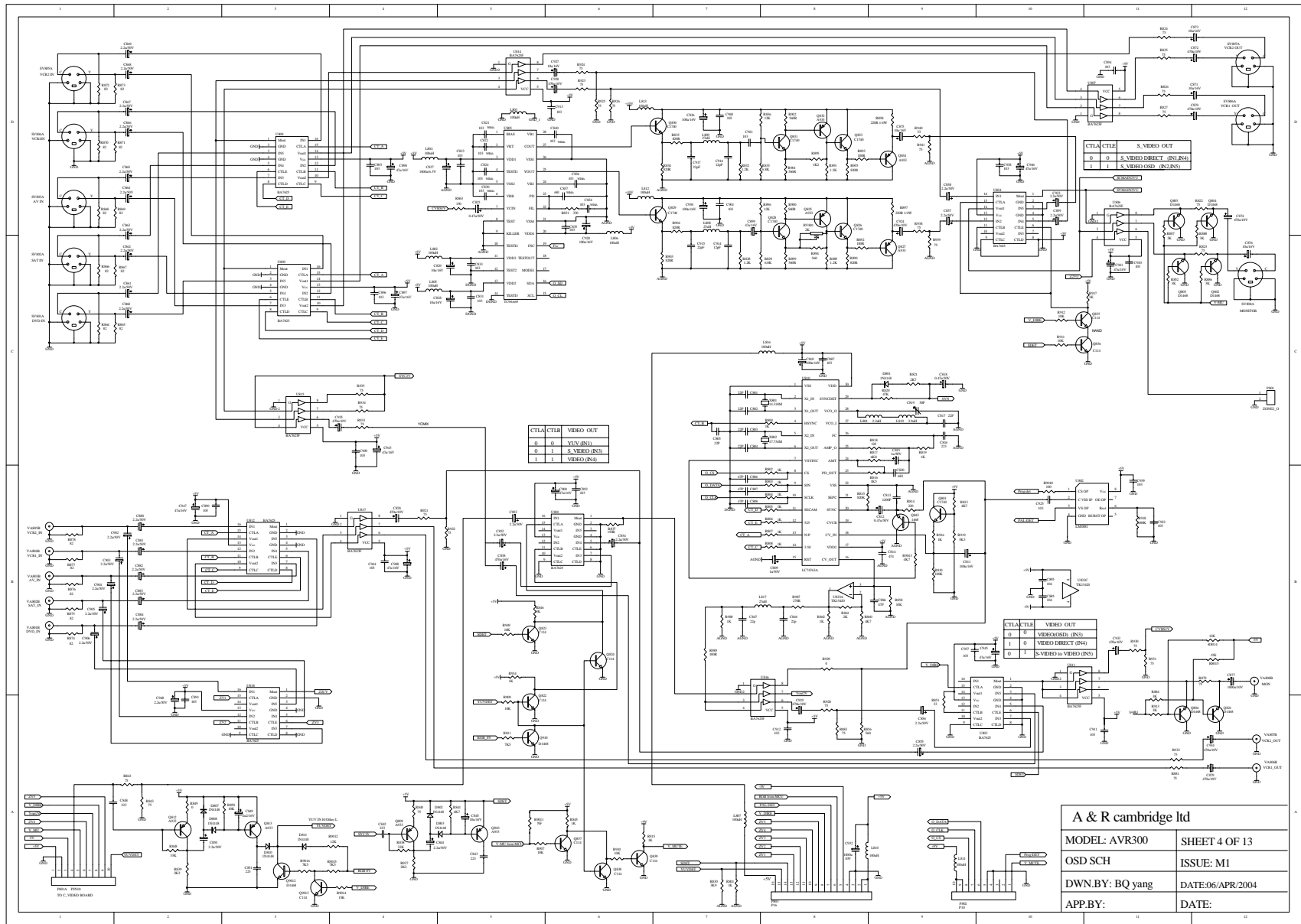
<b>A &amp; R cambridge ltd</b>	
MODEL: AVR300	SHEET 1 OF 13
KEY SCH	ISSUE: M1
DWN.BY: SZ Lin	DATE:06/APR/2004
APP.BY:	DATE:



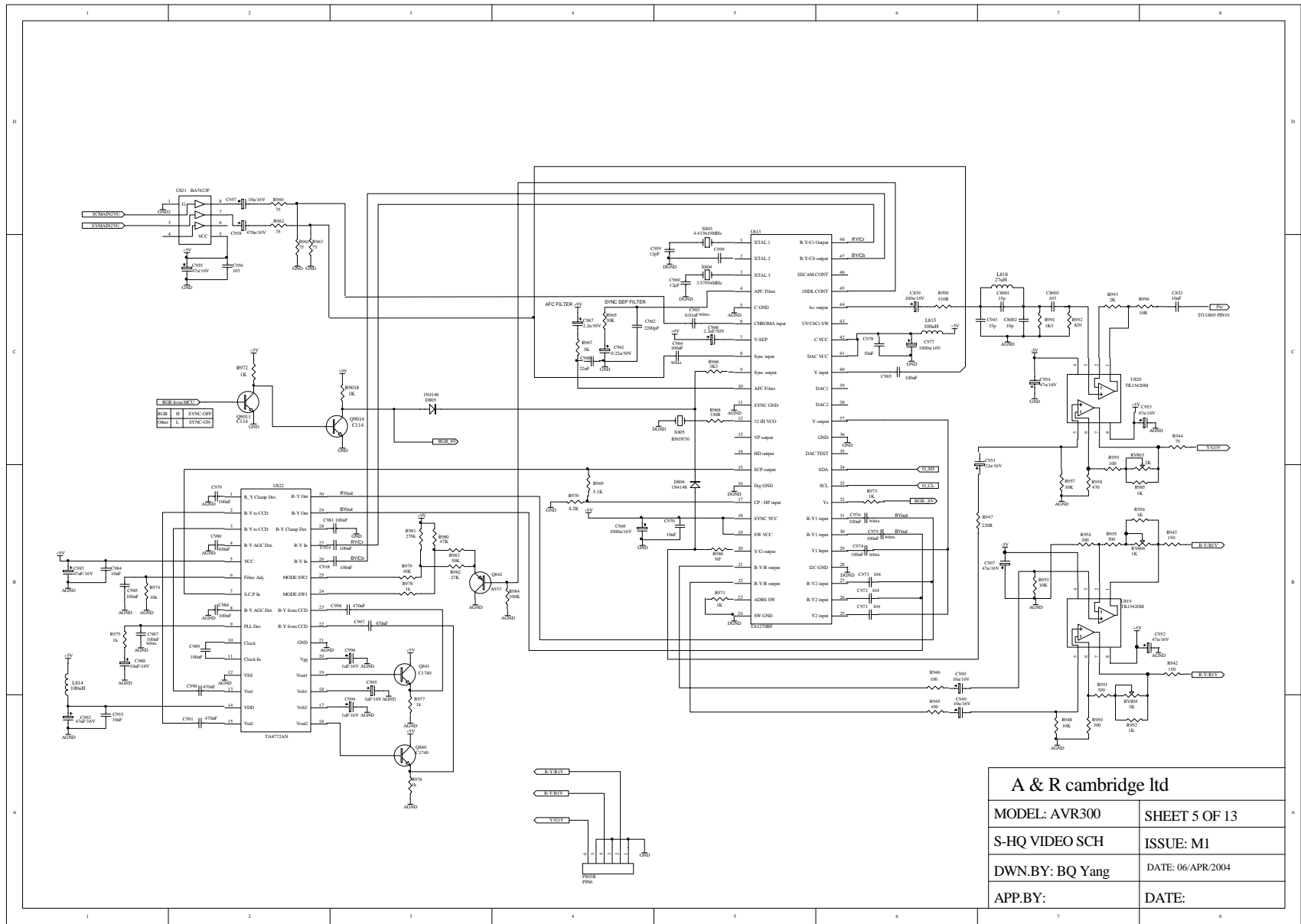
A & R cambridge ltd  
 MODEL: AVR300 SHEET 2 OF 13  
 MULTI SCH ISSUE: M1  
 DWN.BY: SZ Lin DATE: 06/APR/2004  
 APP.BY: DATE:

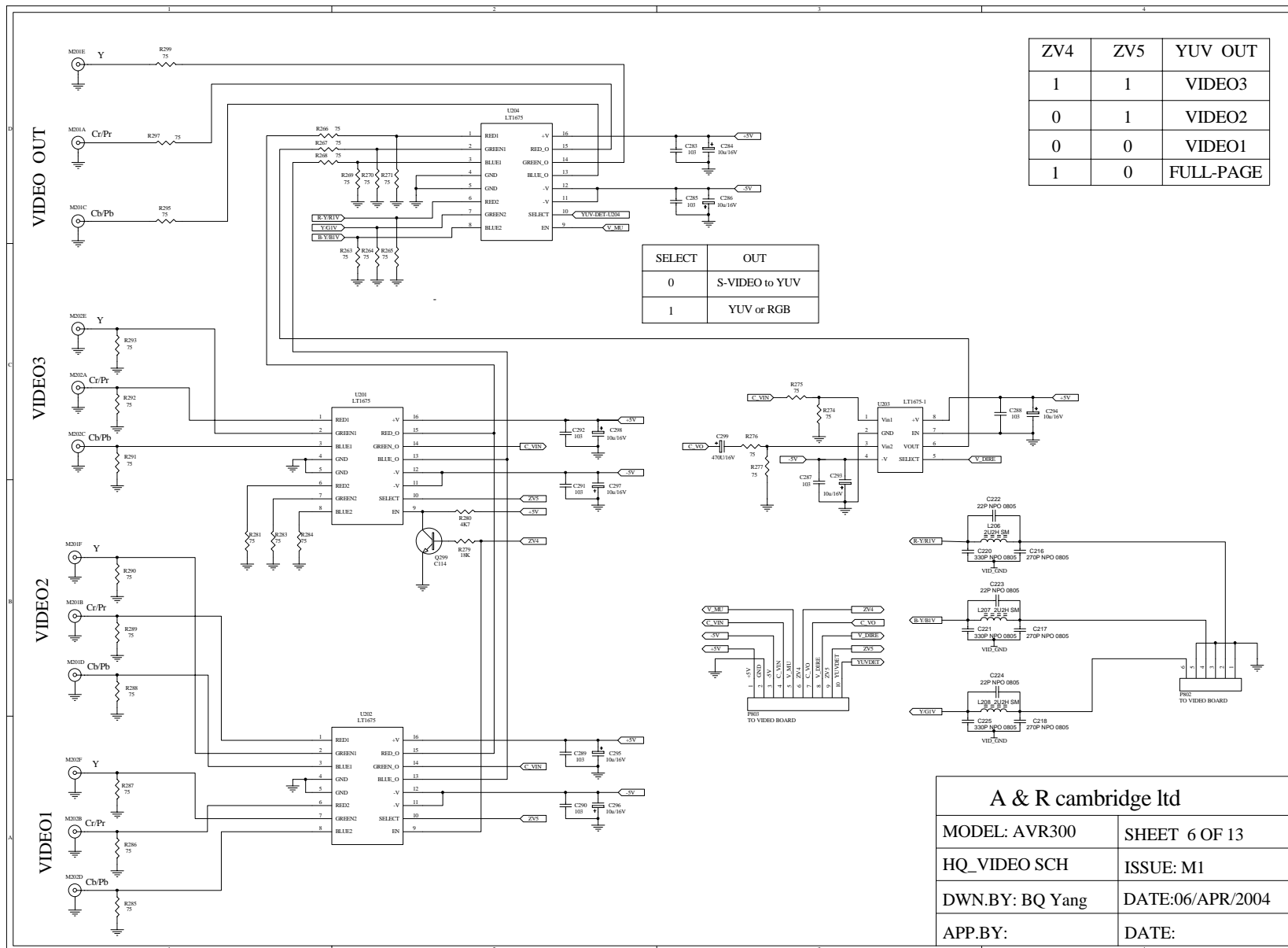


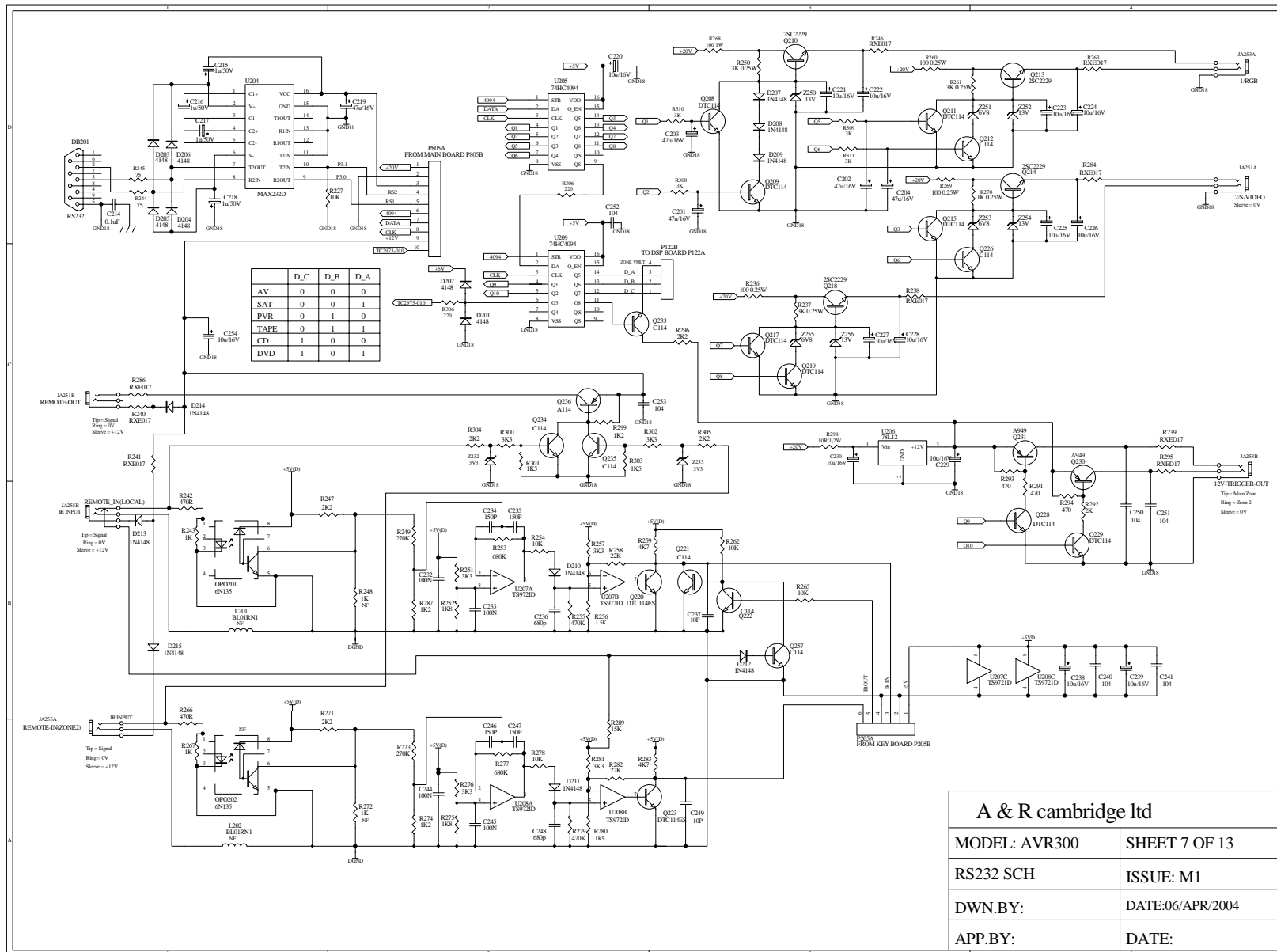
<b>A &amp; R cambridge ltd</b>	
MODEL: AVR300	SHEET 3 OF 13
AUDIO SCH	ISSUE: M1
DWN.BY: SZ Lin	DATE:06/APR/2004
APP.BY:	



A & R cambridge ltd  
 MODEL: AVR300 SHEET 4 OF 13  
 OSD SCH ISSUE: M1  
 DWN.BY: BQ yang DATE:06/APR/2004  
 APP.BY: DATE:





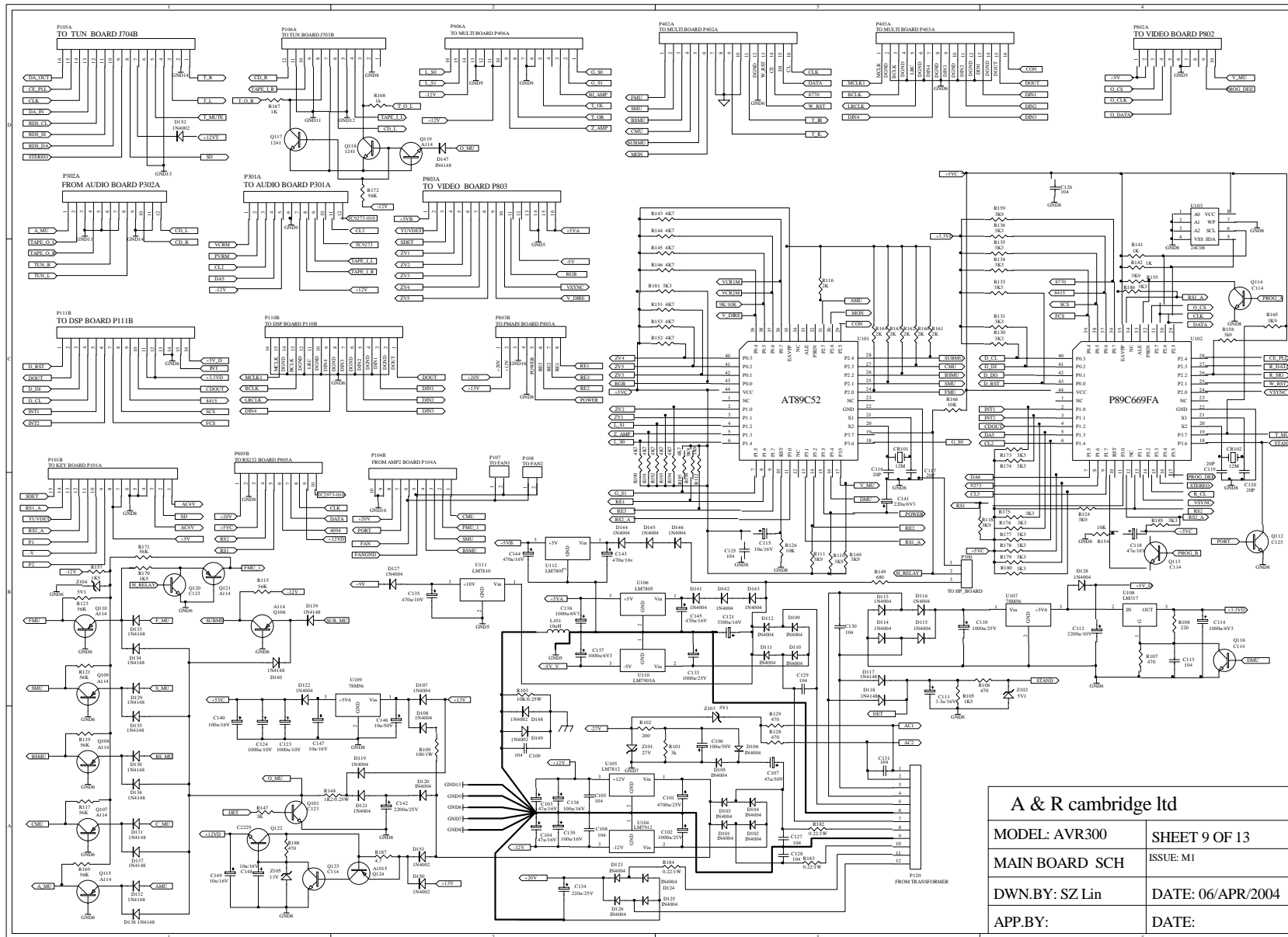


**A & R cambridge ltd**

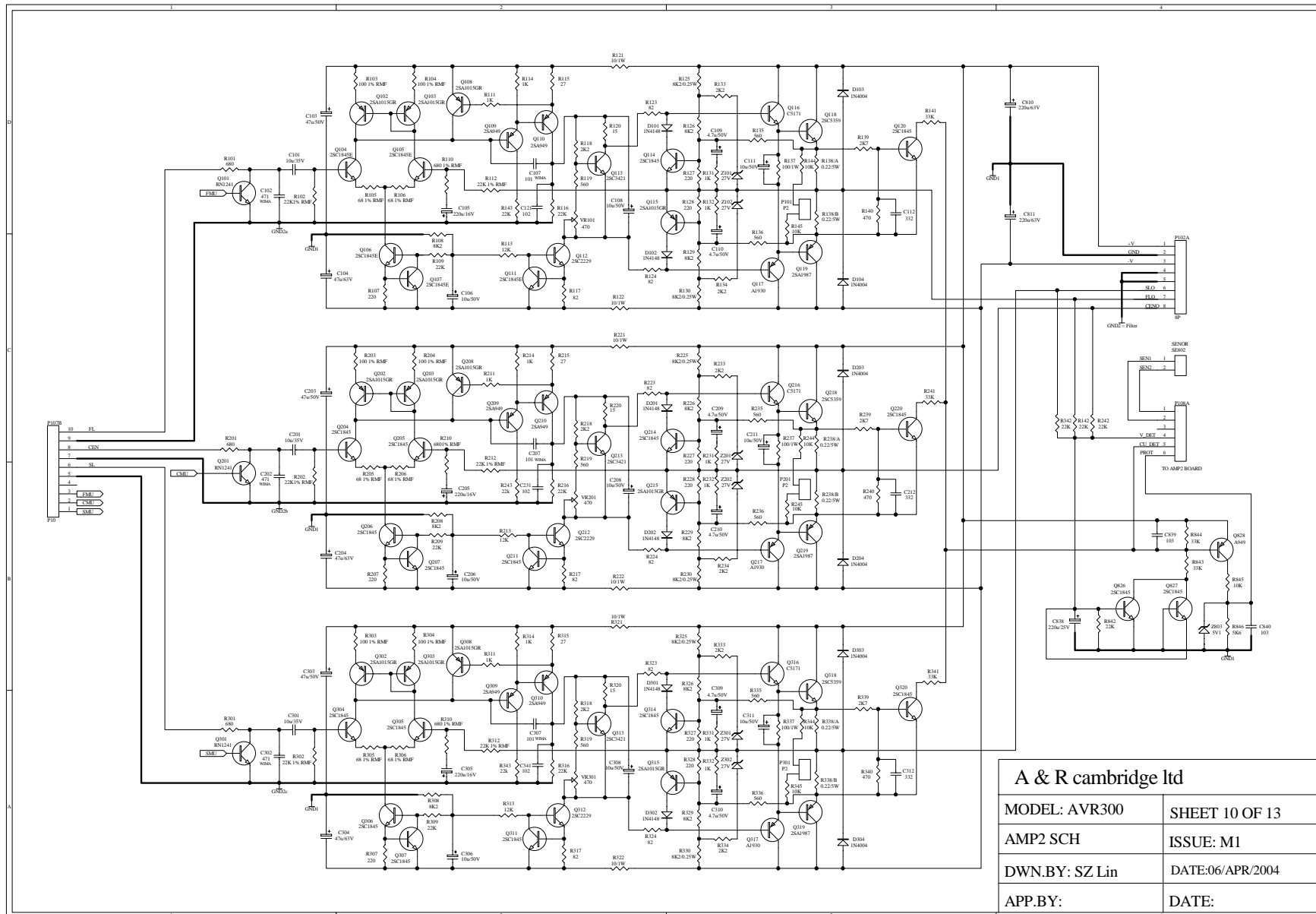
MODEL: AVR300	SHEET 7 OF 13
RS232 SCH	ISSUE: M1
DWN.BY:	DATE:06/APR/2004
APP.BY:	DATE:

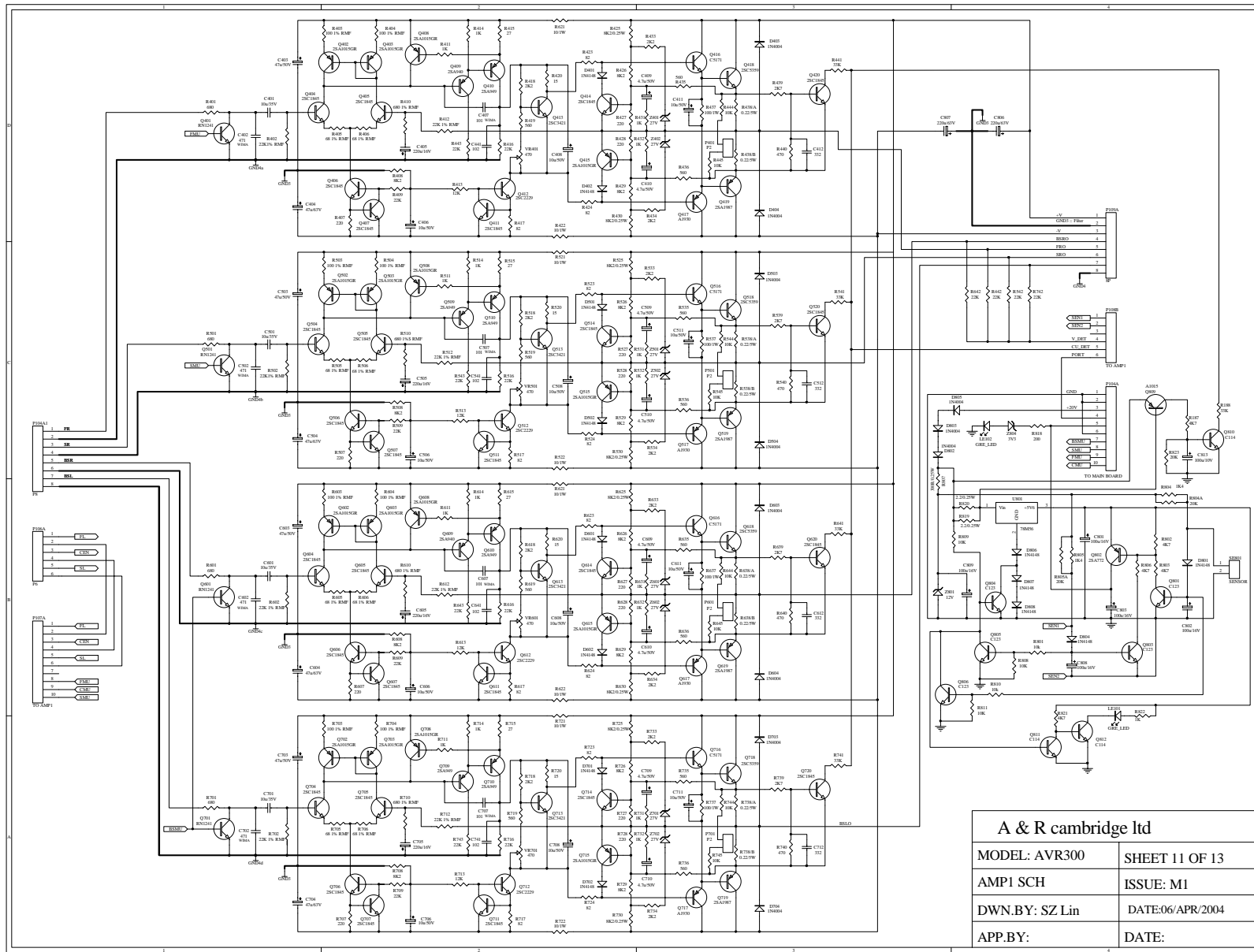






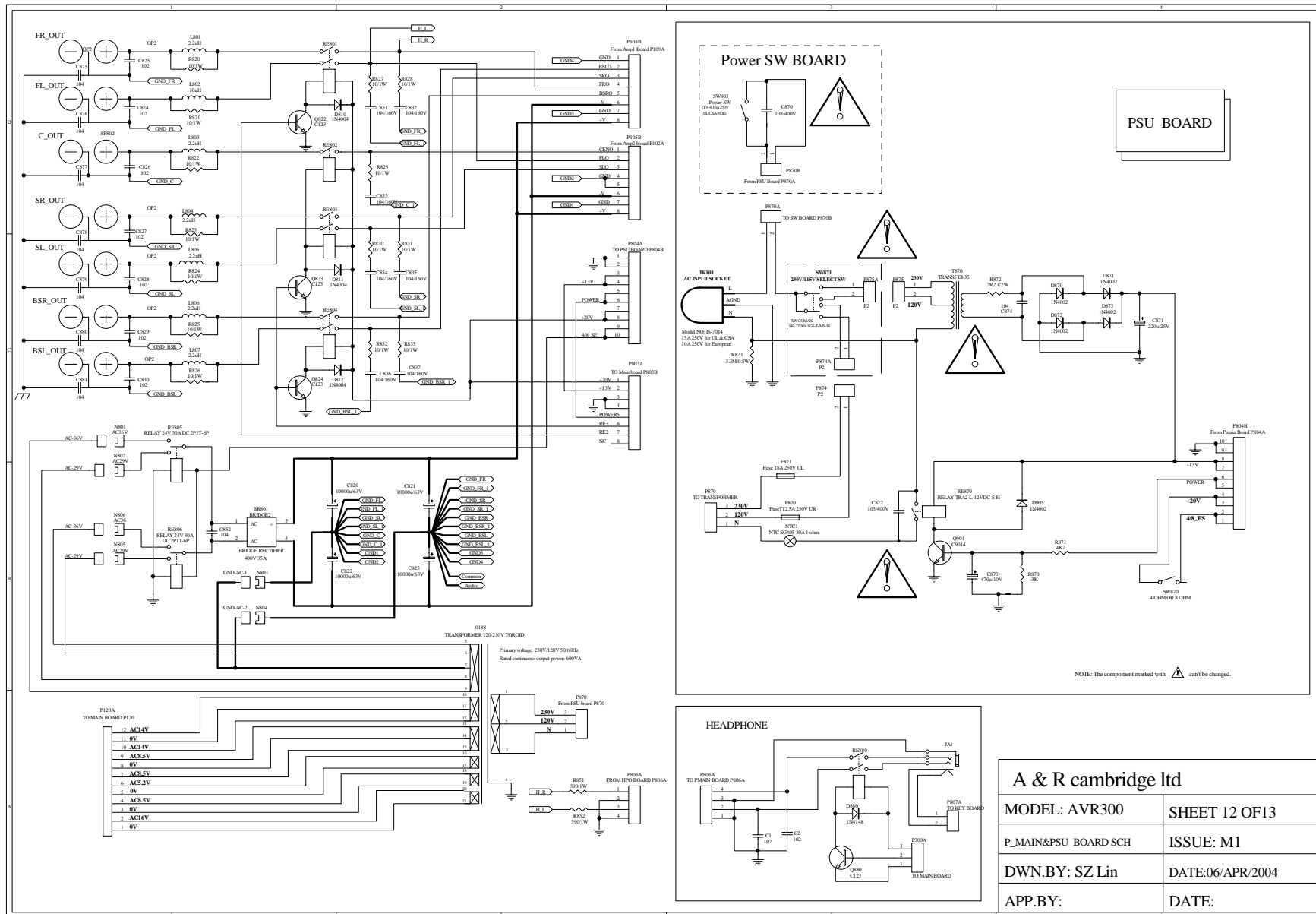
<b>A &amp; R cambridge ltd</b>	
MODEL: AVR300	SHEET 9 OF 13
MAIN BOARD SCH	ISSUE: M1
DWN.BY: SZ Lin	DATE: 06/APR/2004
APP.BY:	DATE:



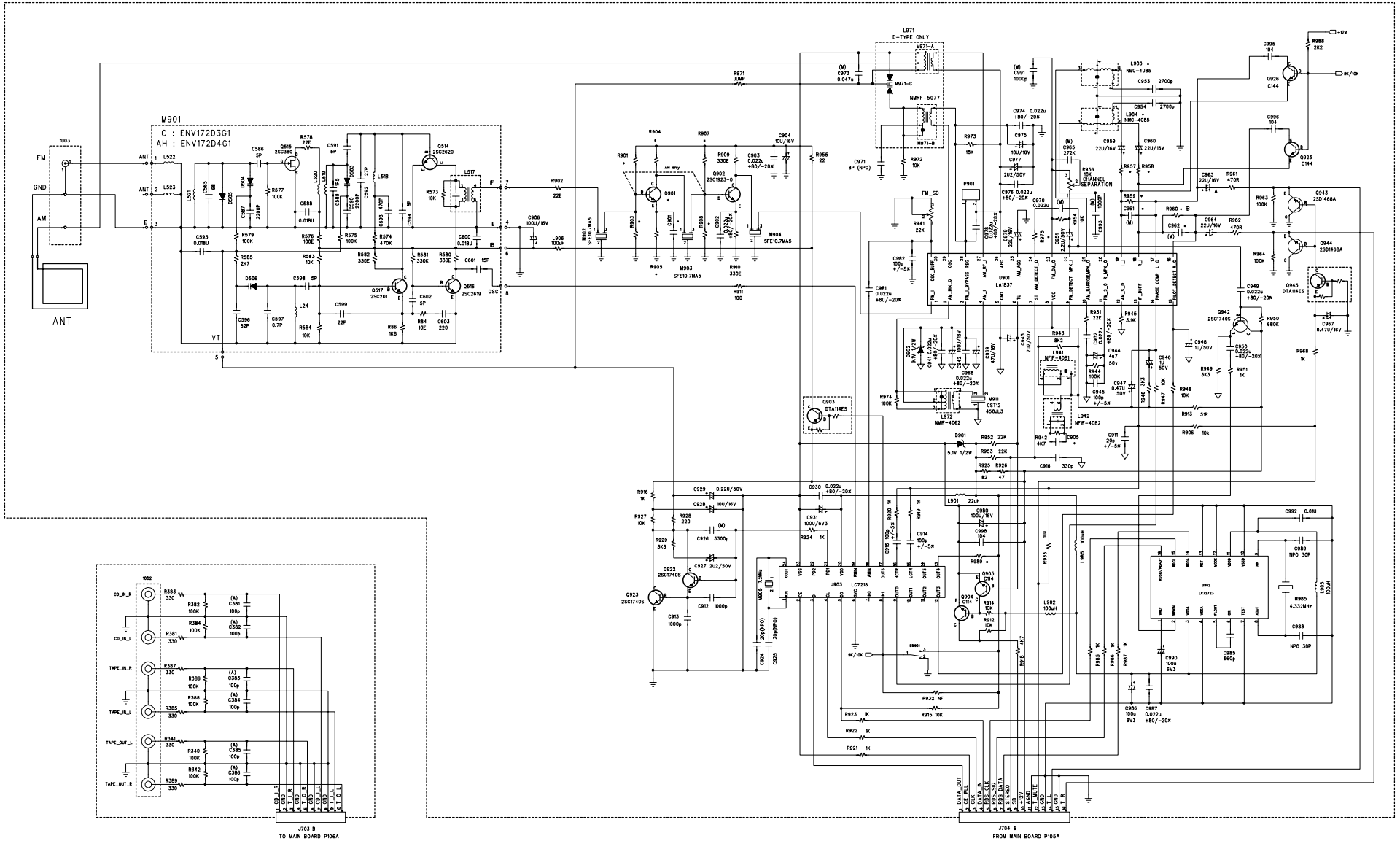


**A & R cambridge ltd**

MODEL: AVR300	SHEET 11 OF 13
AMP1 SCH	ISSUE: M1
DWN.BY: SZ Lin	DATE:06/APR/2004
APP.BY:	DATE:



<b>A &amp; R cambridge ltd</b>	
<b>MODEL: AVR300</b>	<b>SHEET 12 OF 13</b>
<b>P_MAIN&amp;PSU BOARD SCH</b>	<b>ISSUE: M1</b>
<b>DWN.BY: SZ Lin</b>	<b>DATE:06/APR/2004</b>
<b>APP.BY:</b>	<b>DATE:</b>



J03 B  
TO MAIN BOARD P16A

J04 B  
FROM MAIN BOARD P16A