

NOTES  
 C7 C8 C11 C15 ARE NPO TYPE  
 USE CLIP ON HS WITH Q13  
 SET BIAS FOR 1 mV ACROSS  
 R44/R45 OR R51/R53

REVISION RECORD		
REV	ECD NO.	BY: DATE.
1	NEW DESIGN	DMCK 1.28.05
2	Design Changes	DMCK 3.11.05
A	PRODUCTION RELEASE	DMCK 7.6.05

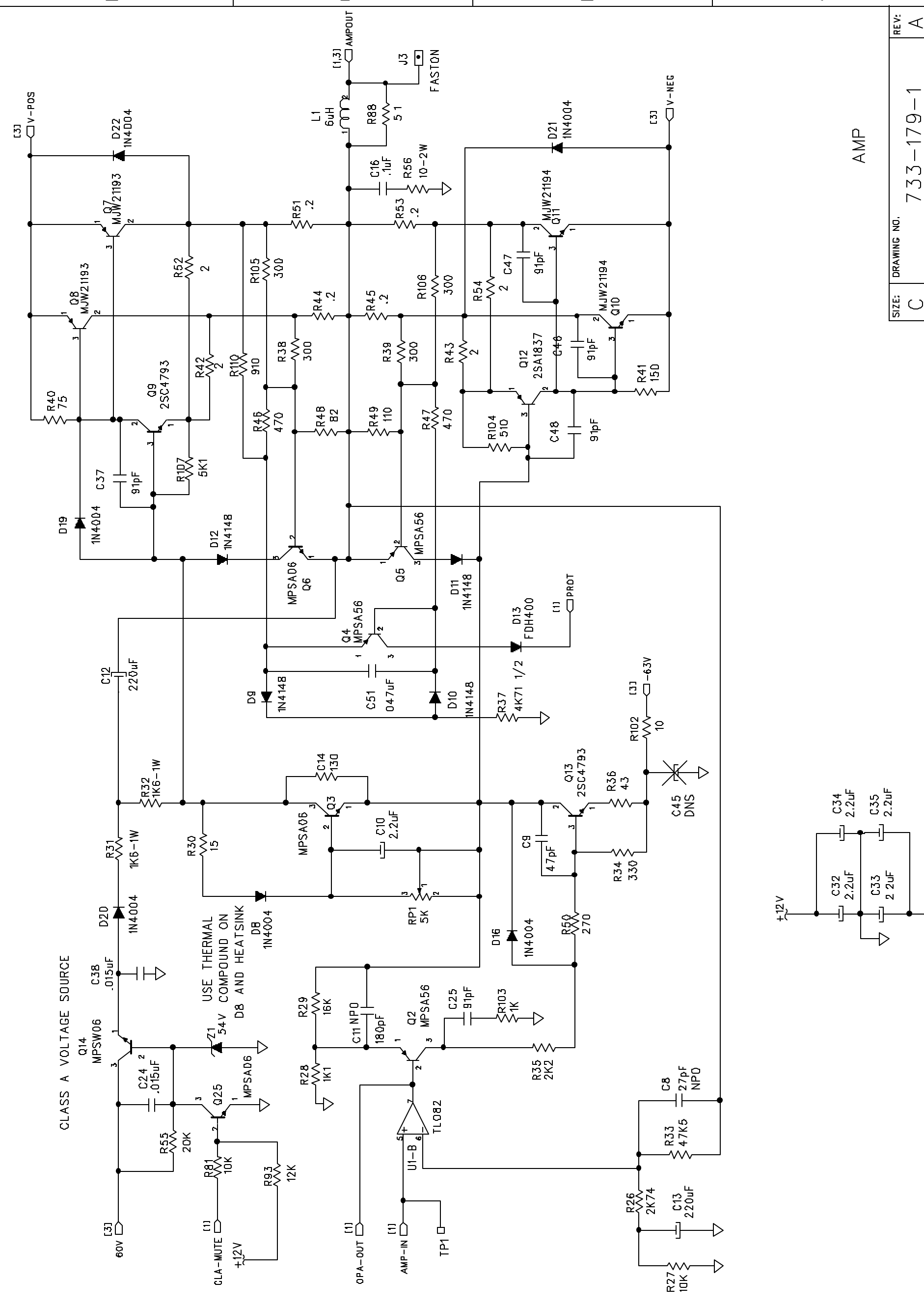
DRAWN: M.R. MCKINLEY		DATED: 6.1.00
ENGINEER: M.R. MCKINLEY		DATED: 6.1.00
RELEASED: M.R. MCKINLEY		DATED: 7.6.05
OTHER: DONNA MCKINLEY		DATED: 6.1.00

TITLE: ARCAM P-1000 AMPLIFIER BOARD

SIZE: C	DRAWING NO: 733-179-1	REV: A
DATE CODE: 7.6.05	SCALE: NONE	SHEET: 1 OF 3

6 5 4 3 2 1

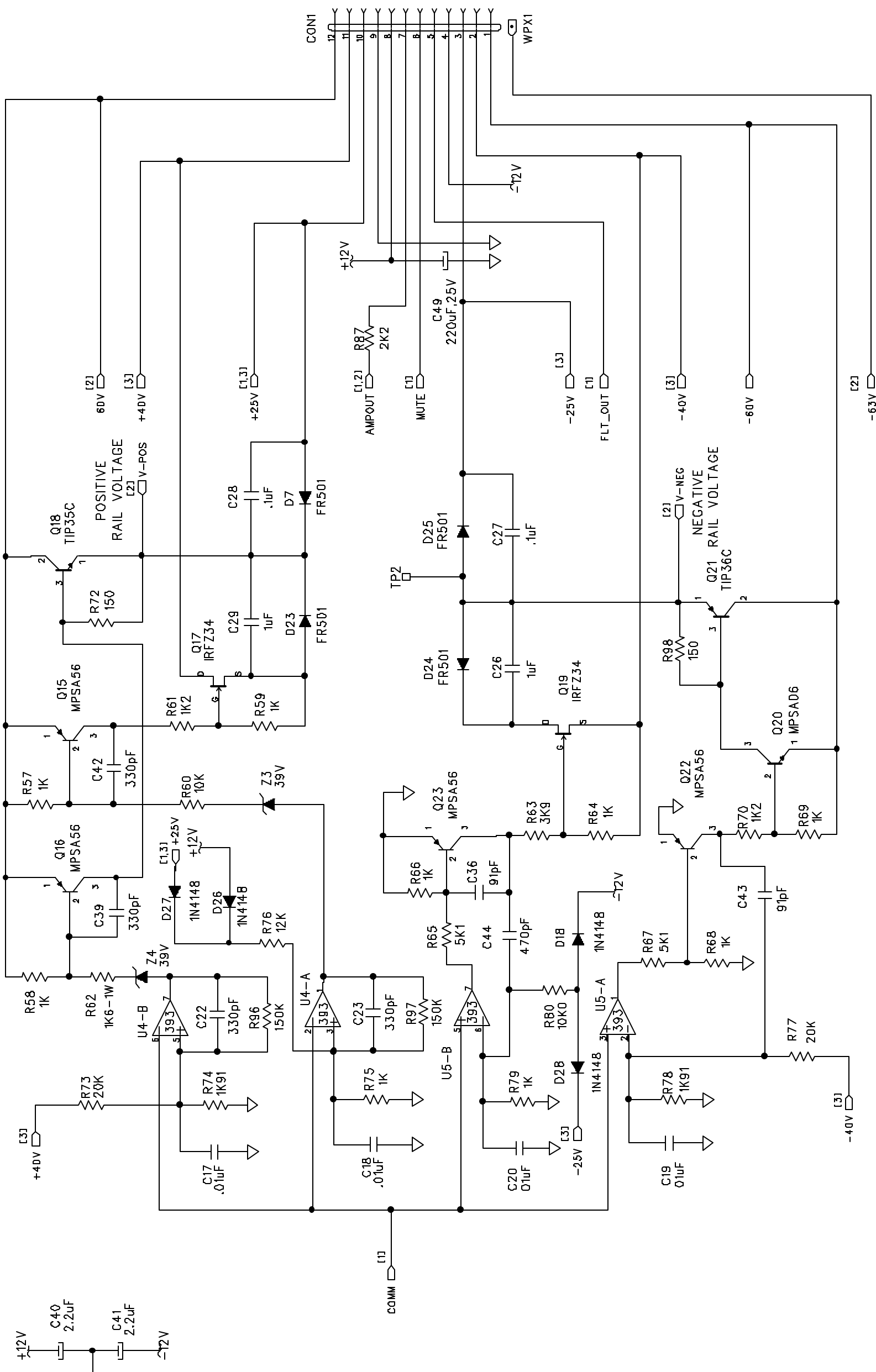
CLASS A VOLTAGE SOURCE



AMP

SIZE: C	DRAWING NO. 733-179-1	REV: A
DATE CODE: 7.6.05	SCALE: NONE	SHEET: 2 OF 3

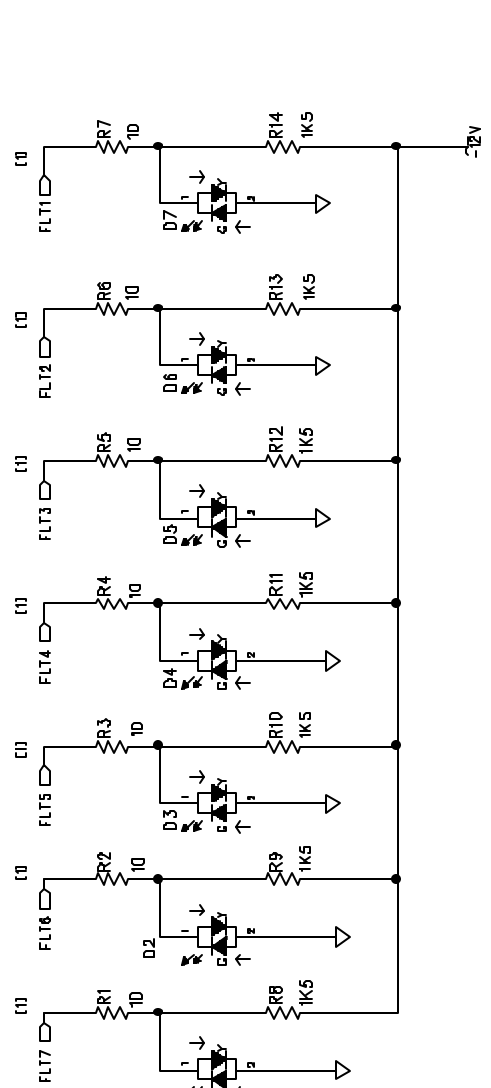
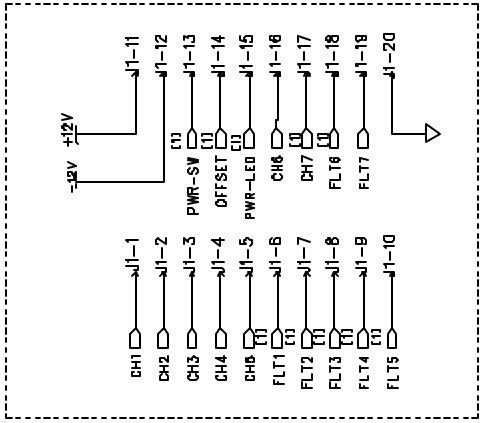
6 5 4 3 2 1



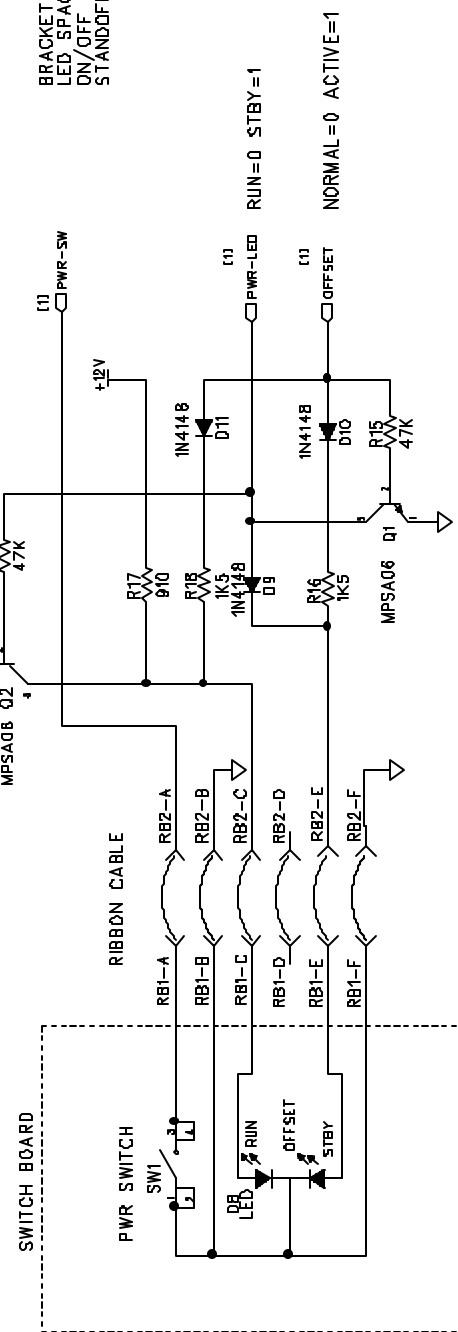
SIZE: C	DRAWING NO. 733-179-1	REV: A
DATE CODE: 7.6.05	SCALE: NONE	SHEET: 3 OF 3

POWER

TO POWER SUPPLY



BRACKET IS 561-006-0  
 LED SPACER IS 541-022-0  
 DN/OFF BUTTON IS 581-053-0  
 STANDOFF IS 533-004-0



RUN=0 STBY=1

NORMAL=0 ACTIVE=1

SIZE: C	DRAWING NO: 733-181-1	REV: A
DATE CODE: 10.24.00		SCALE: NONE
SHEET: 1		OF: 1

