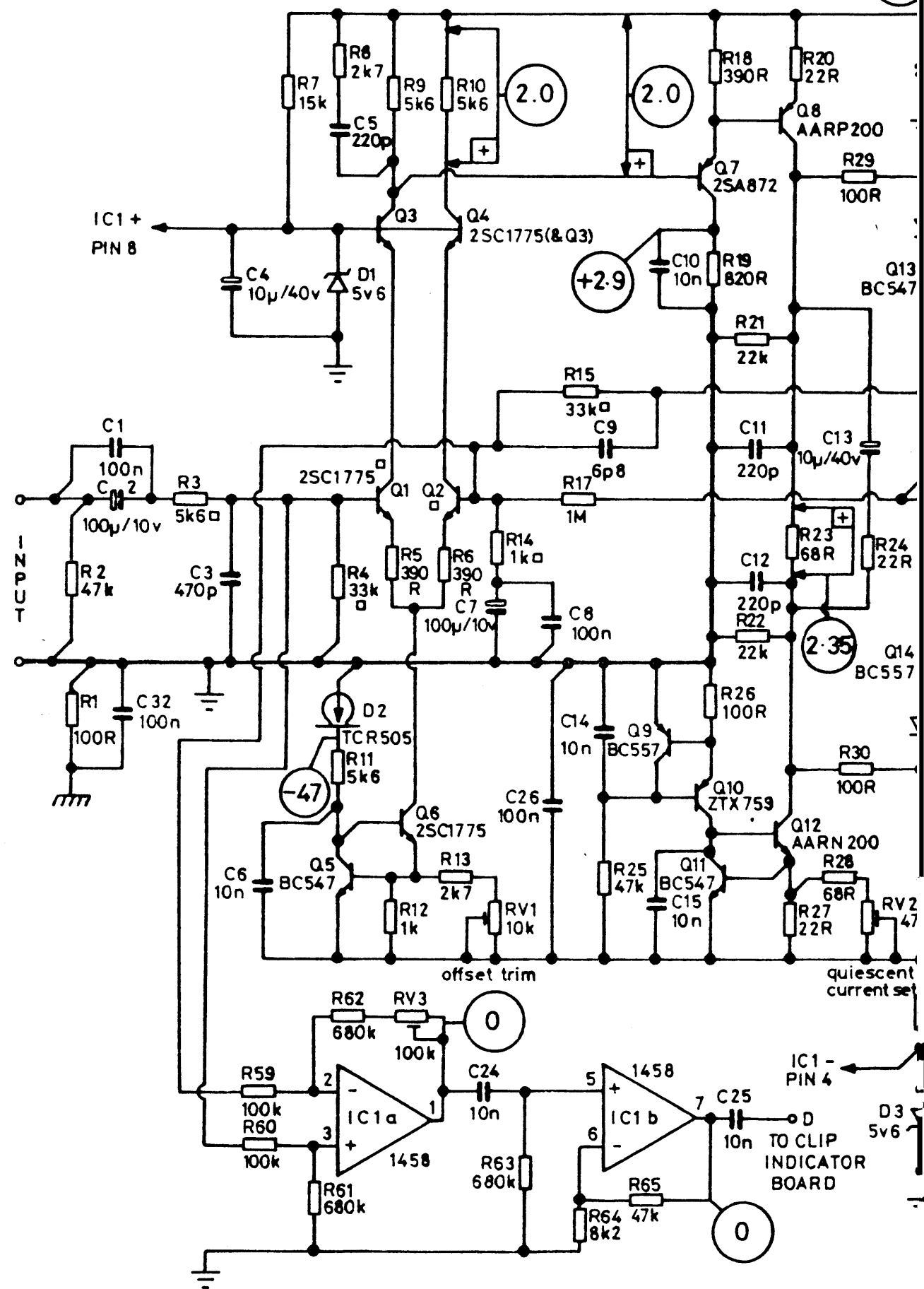


1.0



+2.9

2.0

2.0

2.35

-47

0

0

TCDZ -

IC1 +
PIN 8

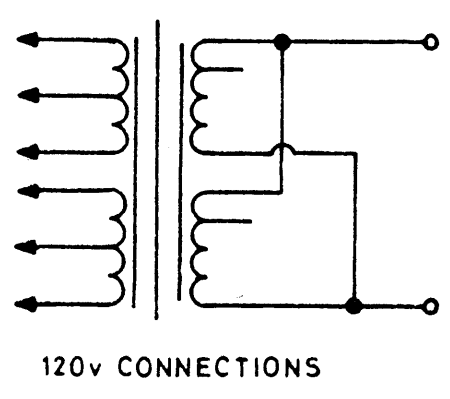
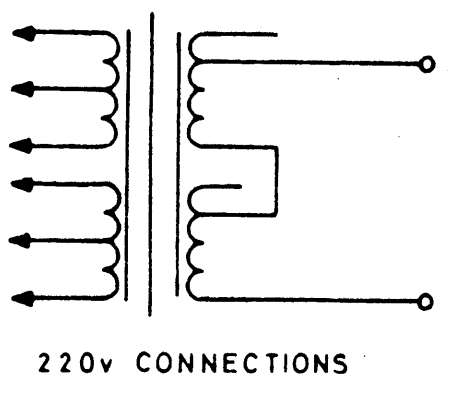
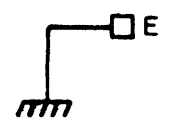
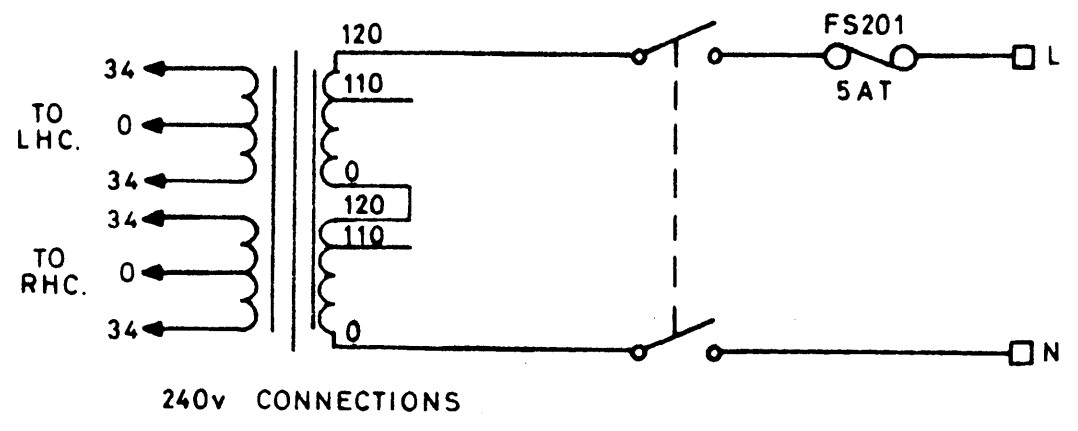
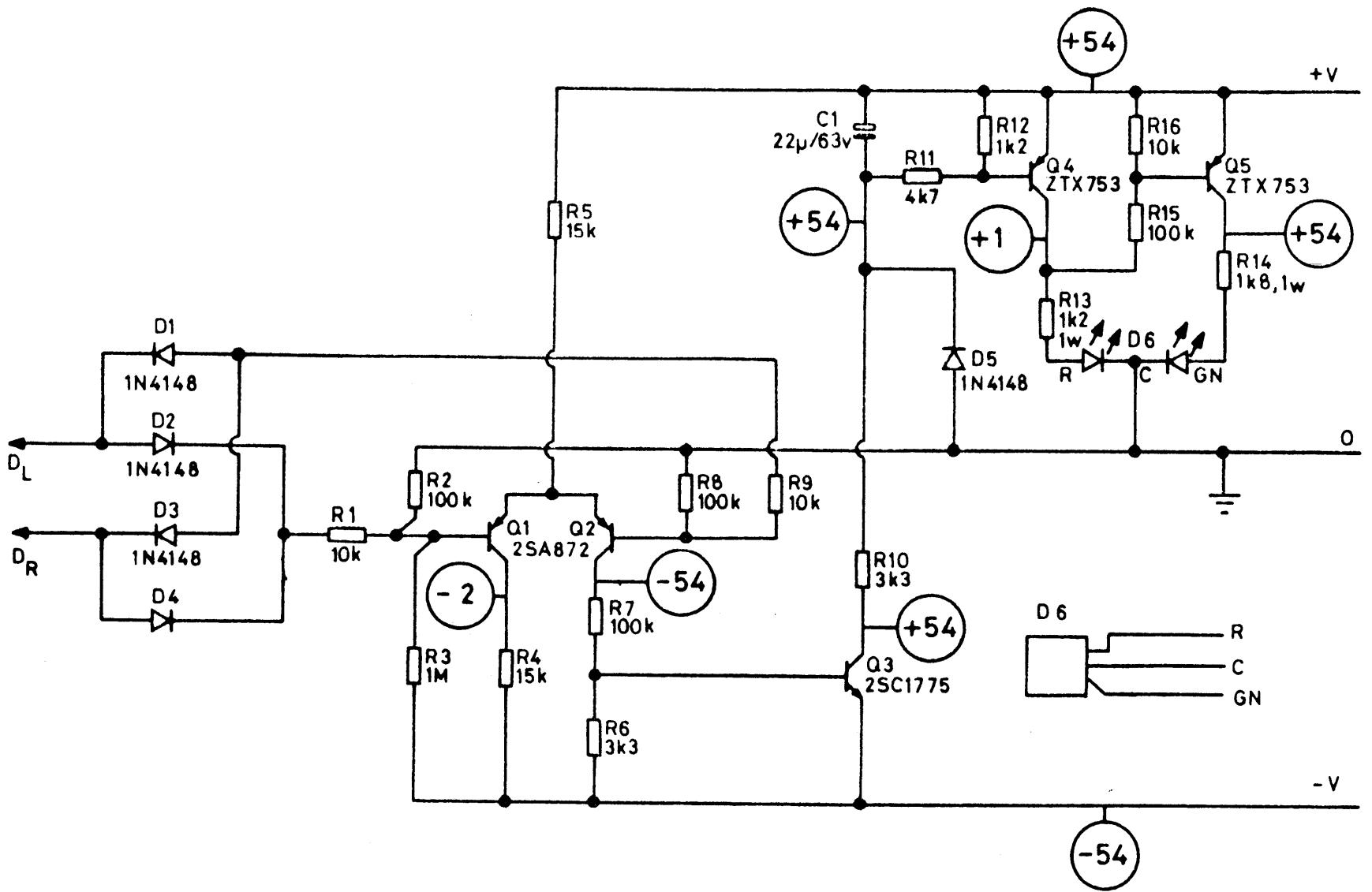
IC1 -
PIN 4

D3
5v6

TO CLIP
INDICATOR
BOARD

offset trim

quiescent
current set



A & R CAMBRIDGE
S200 POWER AMPLIFIER
 SA200/CLIP 1 CIRCUIT
 DIAGRAM AND MAINS
 TRANSFORMER WIRING.
 OVERLOAD INDICATOR
 September 1982 A.C.H.