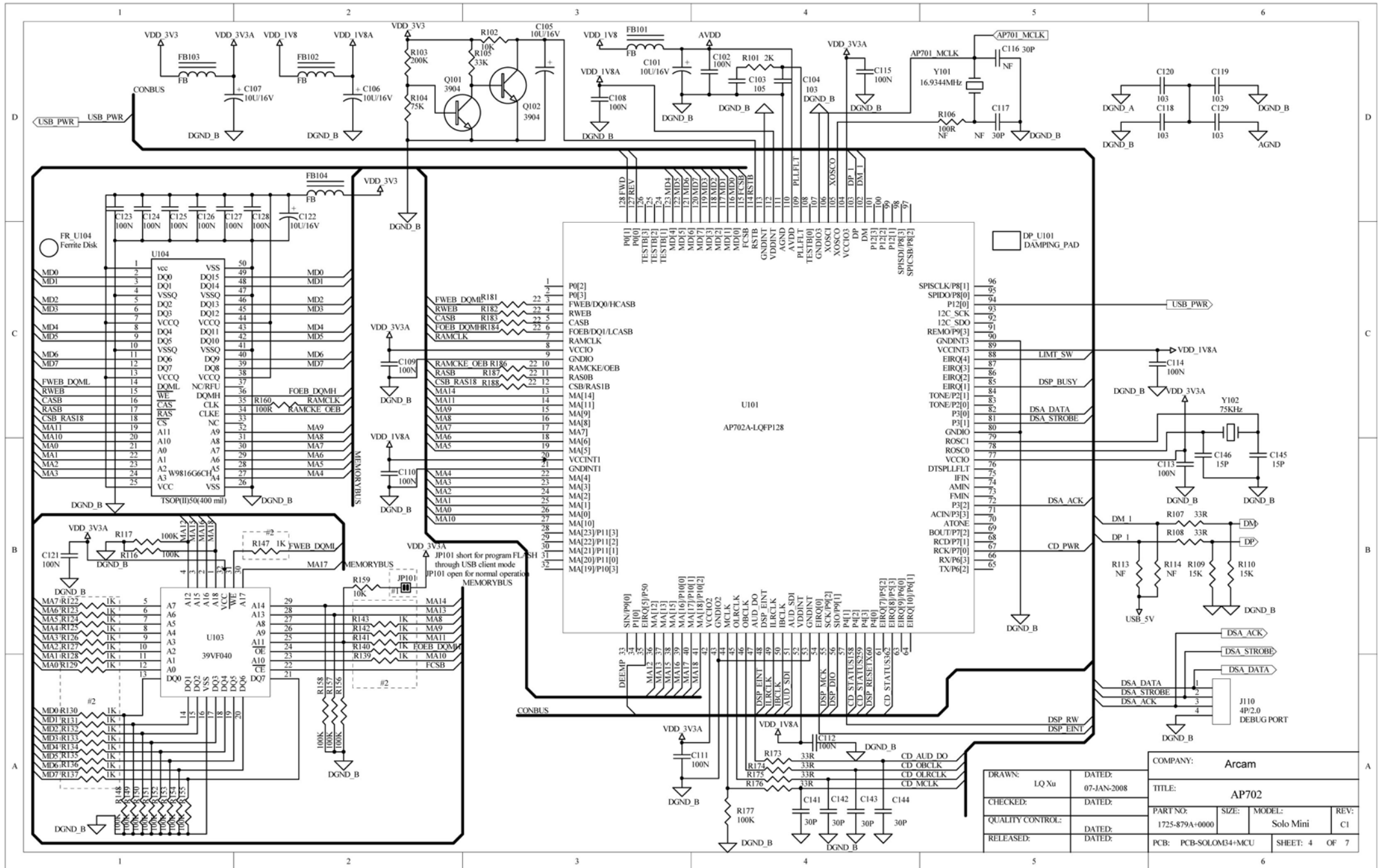
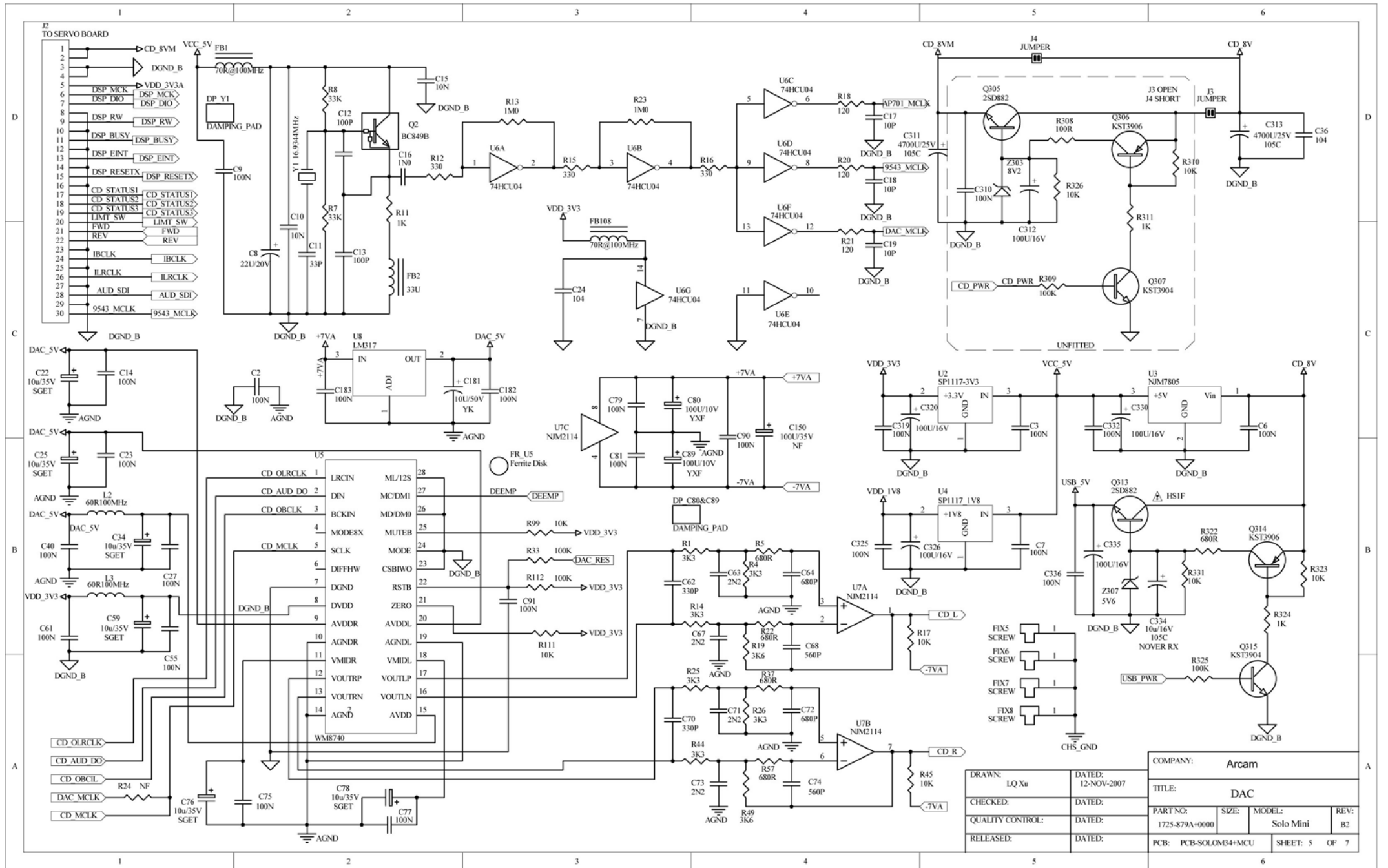


CONN: Arcam	
TITLE: AMP	
DRWN: SGA	DATE: 2007/07/07
CHKD: SGA	DATE: 2007/07/07
MFRY: SGA	DATE: 2007/07/07
RELEAD: SGA	DATE: 2007/07/07
DESIGN: P24-20	SCALE: 1:1
REV: 1	REV: 1
SHEET: 1 OF 7	



DRAWN: LQ Xu		DATED: 07-JAN-2008		COMPANY: Arcam	
CHECKED:		DATED:		TITLE: AP702	
QUALITY CONTROL:		DATED:		PART NO: 1725-879A-0000	SIZE: Solo Mini
RELEASED:		DATED:		PCB: PCB-SOLOM4+MCU	REV: C1
				SHEET: 4 OF 7	



DRAWN: LQ Xu		DATED: 12-NOV-2007		COMPANY: Arcam	
CHECKED:		DATED:		TITLE: DAC	
QUALITY CONTROL:		DATED:		PART NO: 1725-879A-0000	SIZE: Solo Mini
RELEASED:		DATED:		MODEL: B2	REV: B2
PCB: PCB-SOLOM4+MCU				SHEET: 5 OF 7	

REVISION RECORD			
LTR	ECO NO:	APPROVED:	DATE:

D

D

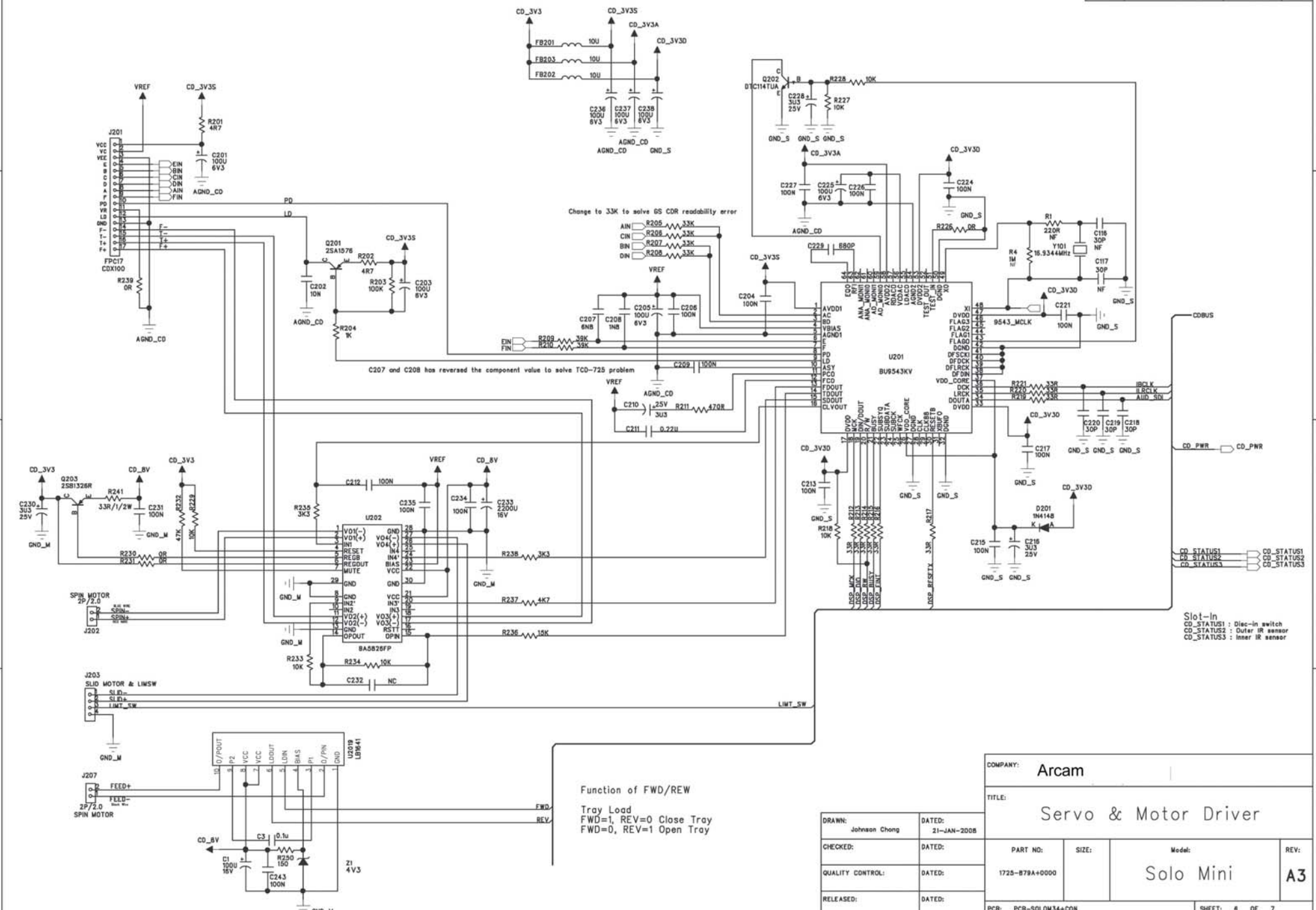
C

C

B

B

A



Function of FWD/REV
 Tray Load
 FWD=1, REV=0 Close Tray
 FWD=0, REV=1 Open Tray

Slot-In
 CD_STATUS1 : Disc-in switch
 CD_STATUS2 : Duler IR sensor
 CD_STATUS3 : Inner IR sensor

COMPANY: Arcam		PART NO:		Model:		REV:	
TITLE: Servo & Motor Driver		1725-B79A+0000		Solo Mini		A3	
DRAWN: Johnson Chong		DATED: 21-JAN-2008		PCB: PCB-SOLOM34+CON		SHEET: 8 OF 7	
CHECKED:		DATED:		RELEASED:		DATED:	
QUALITY CONTROL:		DATED:		PCB: PCB-SOLOM34+CON		SHEET: 8 OF 7	

6

5

4

3

2

1

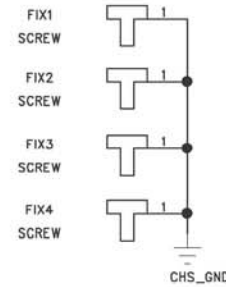
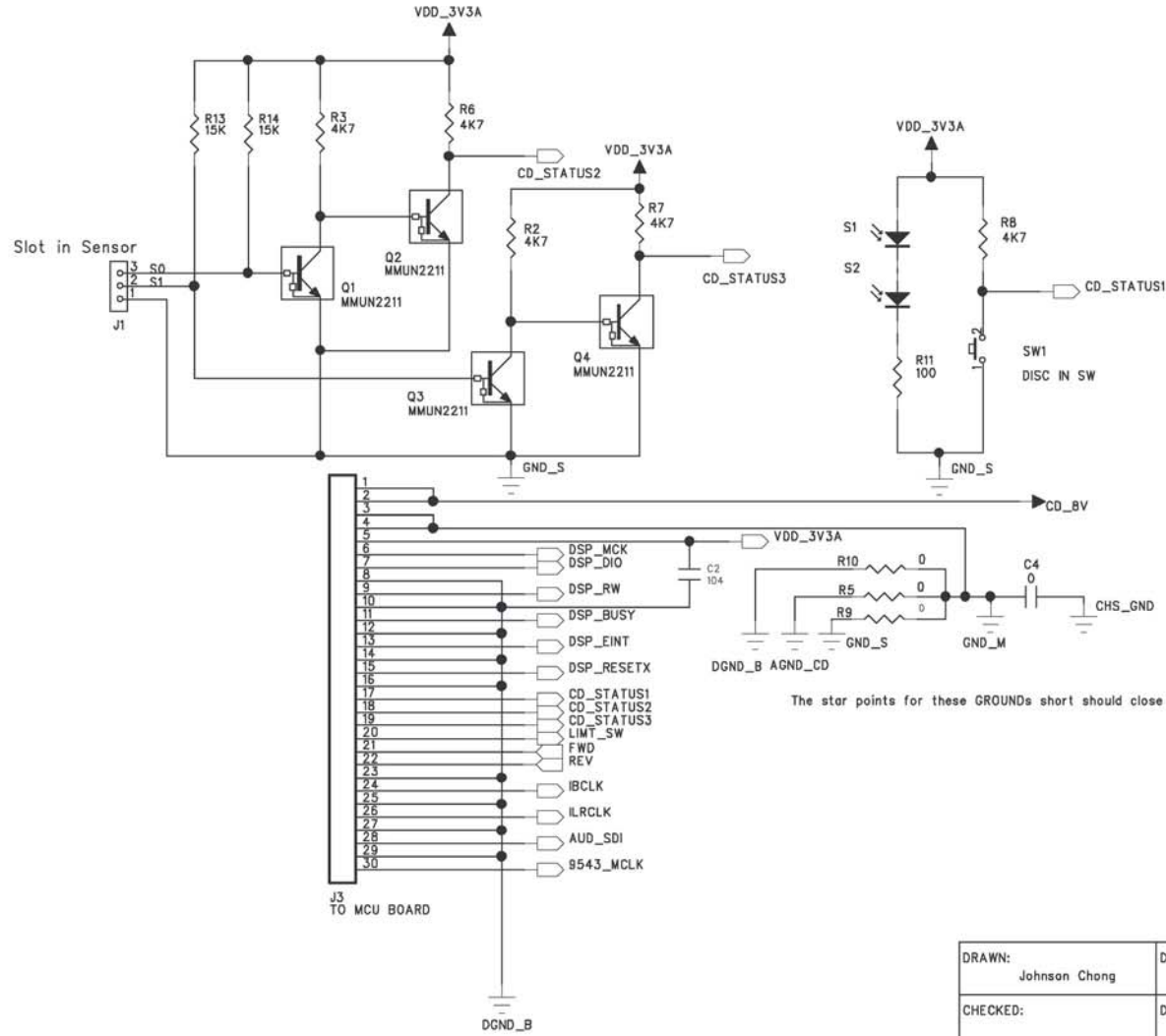
D

C

B

A

REVISION RECORD			
LTR	ECO NO:	APPROVED:	DATE:



COMPANY: Arcam			
TITLE: SENSOR			
DRAWN: Johnson Chong	DATED: 21-JAN-2008	PART NO: 1725-879A+0000	REV: A4
CHECKED:	DATED:	SIZE:	MODEL: Solo Mini
QUALITY CONTROL:	DATED:		
RELEASED:	DATED:		
PCB: PCB-SOLOM34+CON			SHEET: 7 OF 7

DRAWN: Johnson Chong	DATED: 21-JAN-2008
CHECKED:	DATED:
QUALITY CONTROL:	DATED:
RELEASED:	DATED: