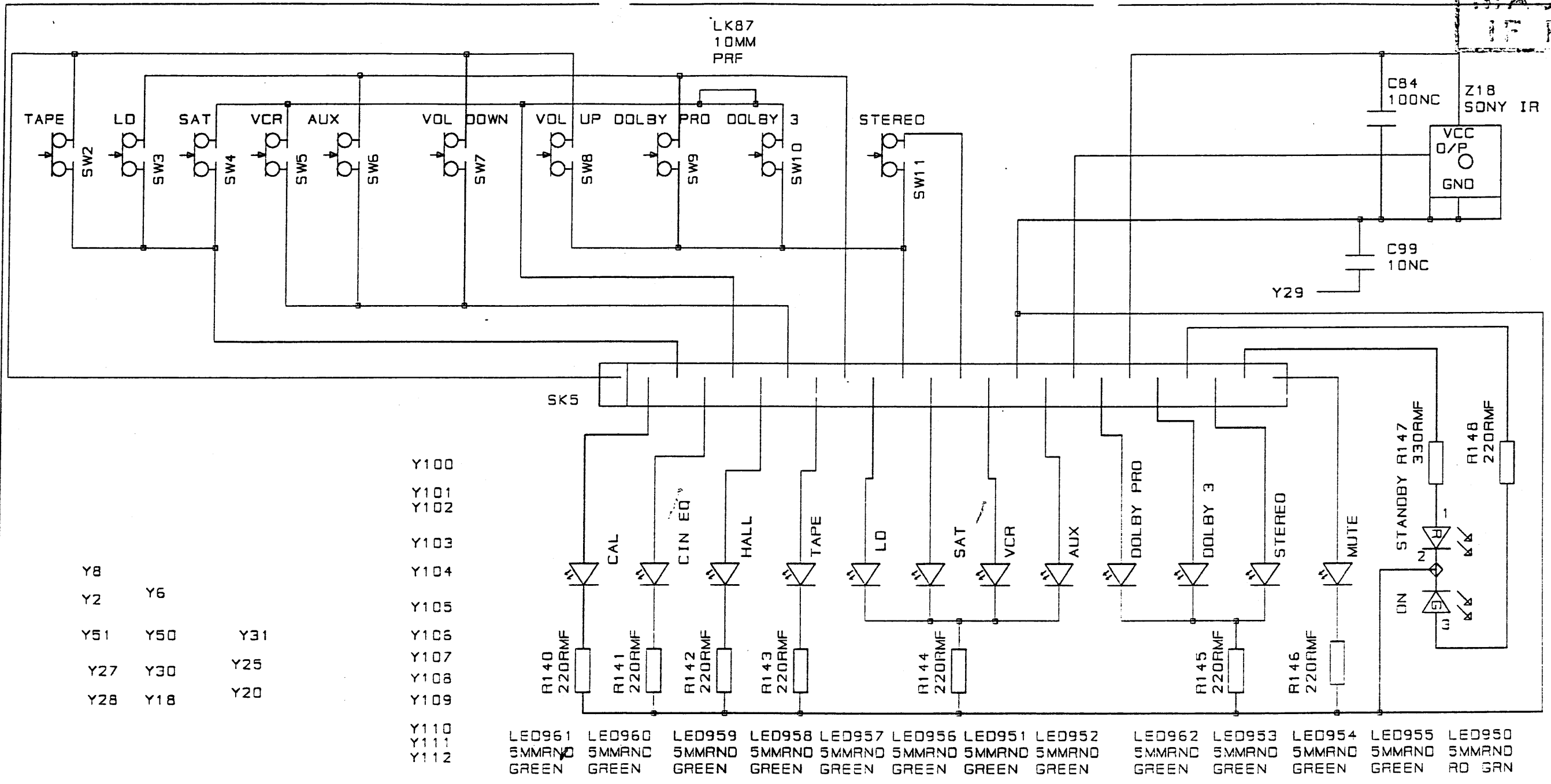


DD Drilling Detail
 UD Update Box
 DRILL_DETAIL UPDATE_BOX
 DD1 Drilling Detail Issue Box
 DD_ISSUE BC
 WAF
 WAF
 WAF
 BARCODE LABEL
 BARCODE_XETA2.5.1
 L908PB
 PCB
 L908PB
 PD8 TOOLING
 PD9 TOOLING
 LGND TO LK82
 CLK TO LK52
 L/S TO R73
 DATA TO LK92
 IDC4S
 TO LK62
 TO LK52
 TO R73
 TO LK92
 SEE ADDITIONAL NOTES

ARCAM A & R Cambridge Ltd. Pembroke Avenue Denny Industrial Centre Waterbeach Cambridge CB5 9PB		DRAWING TITLE							
		XETA 2 UPGRADE							
		Circuit Diagram							
Sheet 1 of 1				97_1092	8-10-97			L908CT	2
Filename J:\PROJECTS\XETA2_51\908CT&PL908CT_2.SCH		DRAWN BY	CHK BY	ECO No.	DATE	DESCRIPTION OF CHANGE		DRAWING NO	ISSUE

MASTER
IF RED



ARCAM
A & R CAMBRIDGE
WATERBEACH
CAMBRIDGE
CB5 9PB

DRAWING TITLE
**CIRCUIT DIAGRAM FOR
XETA TWO
DISPLAY PCB
PART OF STEERING
BOARD**

1	JMG	5-7-95		
ISSUE	INITIALS	DATE	DESCRIPTION	ECO No.
DRAWING TYPE			DRAWN WITH REFERENCE TO BS 308	
CIRCUIT				
DRAWN BY		DATE	CHECKED BY	DATE
JMG		16-11-94		
TOLERANCES			PART/ORG No.	L907C1
			SHT 1	OF 1

ALL DIMENSIONS IN MILLIMETERS UNLESS OTHERWISE STATED

ORIGINAL SCALE

DRAWN BY

JMG

DATE

16-11-94

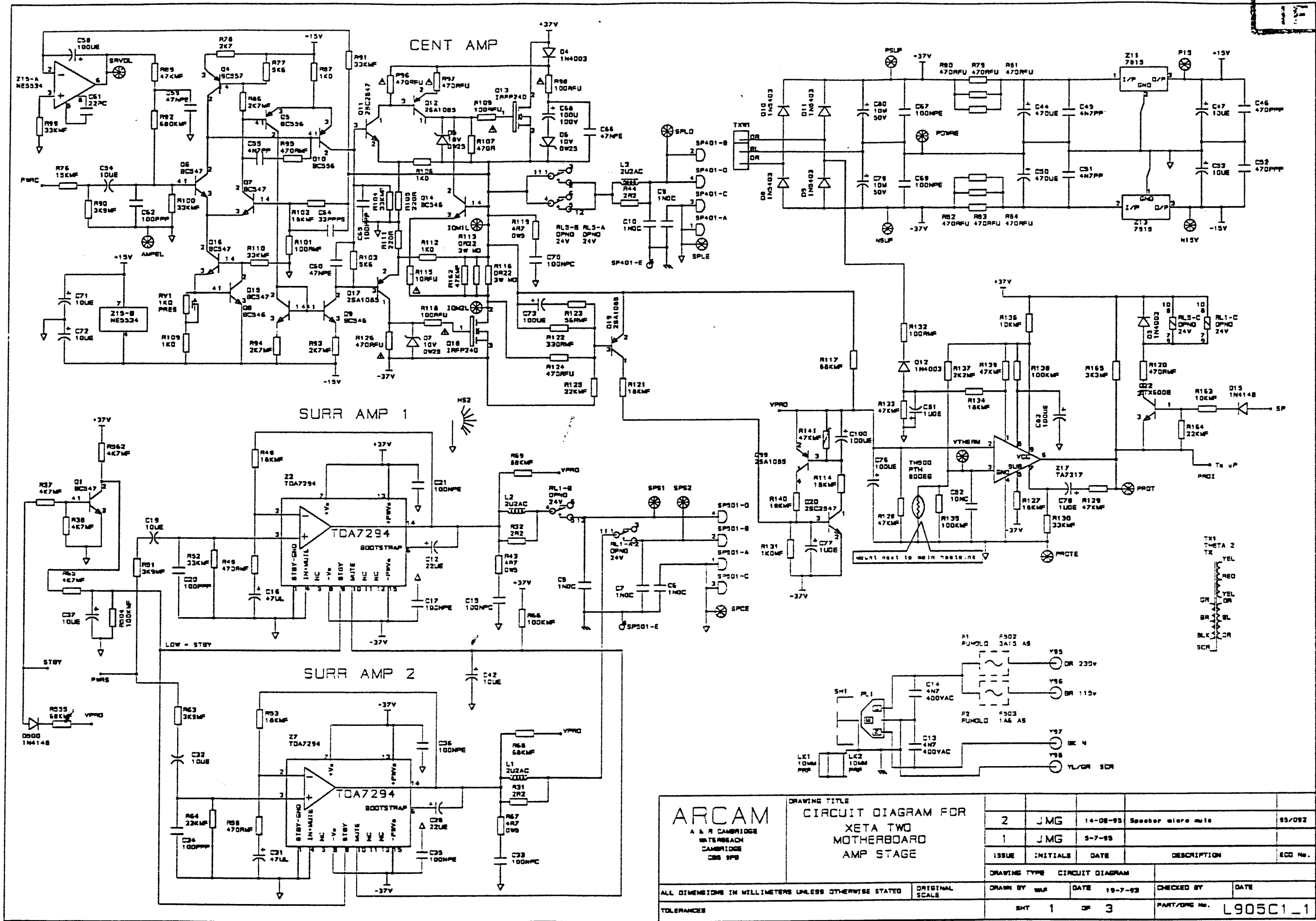
CHECKED BY

DATE

PART/ORG No.

L907C1

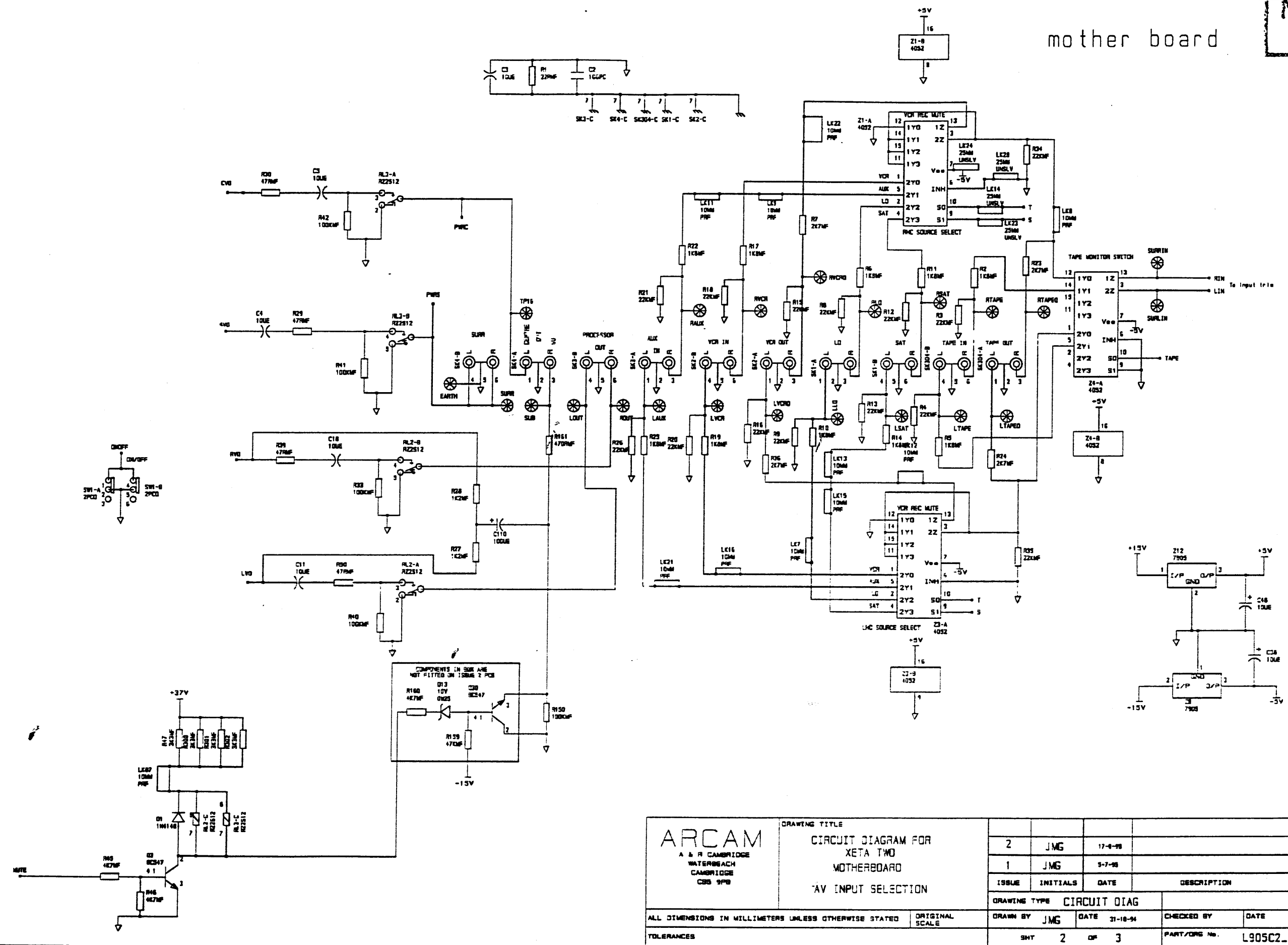
**MASTER
IF RED**



ARCAM A & R CAMBRIDGE WATERBEACH CAMBRIDGE CB8 9PB		DRAWING TITLE CIRCUIT DIAGRAM FOR XETA TWO MOTHERBOARD AMP STAGE		2 JMG 14-08-93 Speaker wire nuts 83/082 1 JMG 5-7-95 ISSUE INITIALS DATE DESCRIPTION ECO No.	
ALL DIMENSIONS IN MILLIMETERS UNLESS OTHERWISE STATED TOLERANCES		ORIGINAL SCALE DRAWN BY WAF DATE 19-7-93 CHECKED BY DATE		DRAWING TYPE CIRCUIT DIAGRAM SH1 1 OF 3 PART/ONE No. L905C1_1	

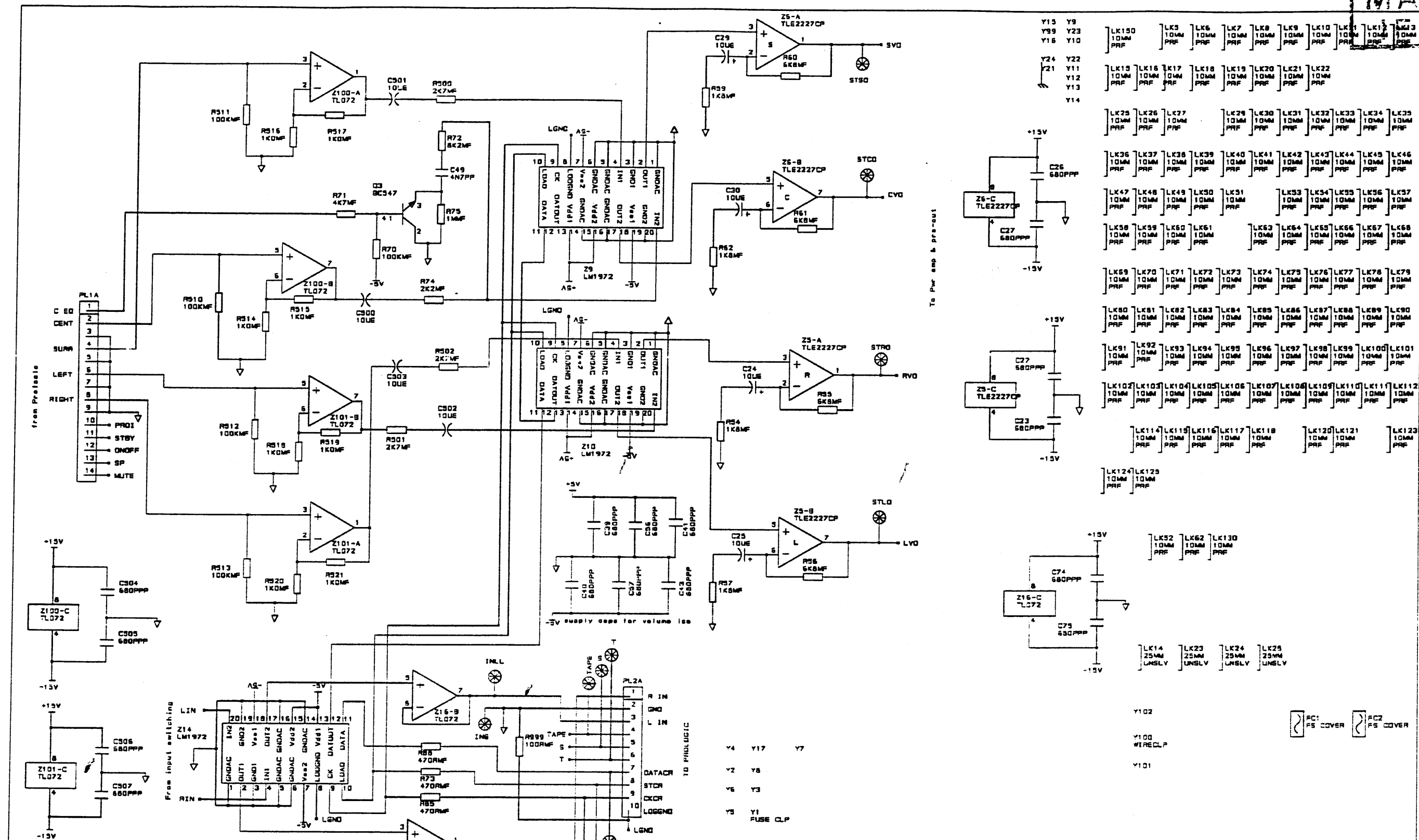
**MASTER
IF RED**

mother board



ARCAM A & R CAMBRIDGE WATERBEACH CAMBRIDGE CB8 9PB		DRAWING TITLE			
		CIRCUIT DIAGRAM FOR XETA TWO MOTHERBOARD AV INPUT SELECTION			
2	JMG	17-4-98			SI/982
1	JMG	5-7-98			
ISSUE	INITIALS	DATE	DESCRIPTION		ECO No.
DRAWING TYPE			CIRCUIT DIAG		
DRAWN BY		JMG	DATE		31-10-94
CHECKED BY			DATE		
TOLERANCES		SMT	2	OF	3
PART/ORG No.		L905C2_1			

MASTER RED

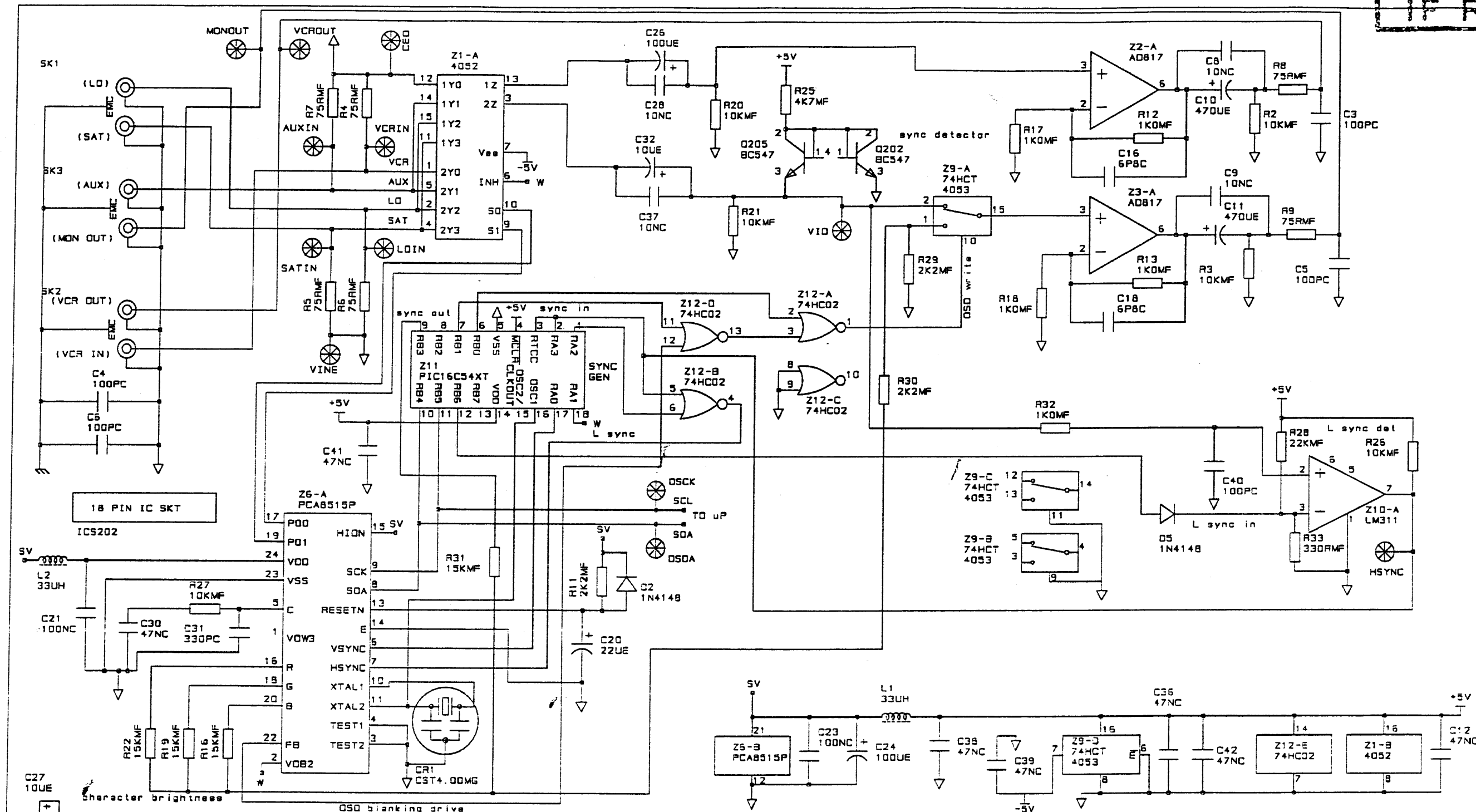


To Pub amp & pre-out

- Y15 Y9
- Y99 Y23
- Y16 Y10
- Y24 Y22
- Y21 Y11
- Y12 Y12
- Y13 Y13
- Y14
- [LK150 10MM PRF] [LK5 10MM PRF] [LK6 10MM PRF] [LK7 10MM PRF] [LK8 10MM PRF] [LK9 10MM PRF] [LK10 10MM PRF] [LK11 10MM PRF] [LK12 10MM PRF]
- [LK13 10MM PRF] [LK16 10MM PRF] [LK17 10MM PRF] [LK18 10MM PRF] [LK19 10MM PRF] [LK20 10MM PRF] [LK21 10MM PRF] [LK22 10MM PRF]
- [LK25 10MM PRF] [LK26 10MM PRF] [LK27 10MM PRF] [LK28 10MM PRF] [LK29 10MM PRF] [LK30 10MM PRF] [LK31 10MM PRF] [LK32 10MM PRF] [LK33 10MM PRF] [LK34 10MM PRF] [LK35 10MM PRF]
- [LK36 10MM PRF] [LK37 10MM PRF] [LK38 10MM PRF] [LK39 10MM PRF] [LK40 10MM PRF] [LK41 10MM PRF] [LK42 10MM PRF] [LK43 10MM PRF] [LK44 10MM PRF] [LK45 10MM PRF] [LK46 10MM PRF]
- [LK47 10MM PRF] [LK48 10MM PRF] [LK49 10MM PRF] [LK50 10MM PRF] [LK51 10MM PRF] [LK53 10MM PRF] [LK54 10MM PRF] [LK55 10MM PRF] [LK56 10MM PRF] [LK57 10MM PRF]
- [LK58 10MM PRF] [LK59 10MM PRF] [LK60 10MM PRF] [LK61 10MM PRF] [LK63 10MM PRF] [LK64 10MM PRF] [LK65 10MM PRF] [LK66 10MM PRF] [LK67 10MM PRF] [LK68 10MM PRF]
- [LK69 10MM PRF] [LK70 10MM PRF] [LK71 10MM PRF] [LK72 10MM PRF] [LK73 10MM PRF] [LK74 10MM PRF] [LK75 10MM PRF] [LK76 10MM PRF] [LK77 10MM PRF] [LK78 10MM PRF] [LK79 10MM PRF]
- [LK80 10MM PRF] [LK81 10MM PRF] [LK82 10MM PRF] [LK83 10MM PRF] [LK84 10MM PRF] [LK85 10MM PRF] [LK86 10MM PRF] [LK87 10MM PRF] [LK88 10MM PRF] [LK89 10MM PRF] [LK90 10MM PRF]
- [LK91 10MM PRF] [LK92 10MM PRF] [LK93 10MM PRF] [LK94 10MM PRF] [LK95 10MM PRF] [LK96 10MM PRF] [LK97 10MM PRF] [LK98 10MM PRF] [LK99 10MM PRF] [LK100 10MM PRF] [LK101 10MM PRF]
- [LK102 10MM PRF] [LK103 10MM PRF] [LK104 10MM PRF] [LK105 10MM PRF] [LK106 10MM PRF] [LK107 10MM PRF] [LK108 10MM PRF] [LK109 10MM PRF] [LK110 10MM PRF] [LK111 10MM PRF] [LK112 10MM PRF]
- [LK114 10MM PRF] [LK115 10MM PRF] [LK116 10MM PRF] [LK117 10MM PRF] [LK118 10MM PRF] [LK120 10MM PRF] [LK121 10MM PRF] [LK123 10MM PRF]
- [LK124 10MM PRF] [LK125 10MM PRF]
- [LK12 25MM UNSLV] [LK23 25MM UNSLV] [LK24 25MM UNSLV] [LK25 25MM UNSLV]

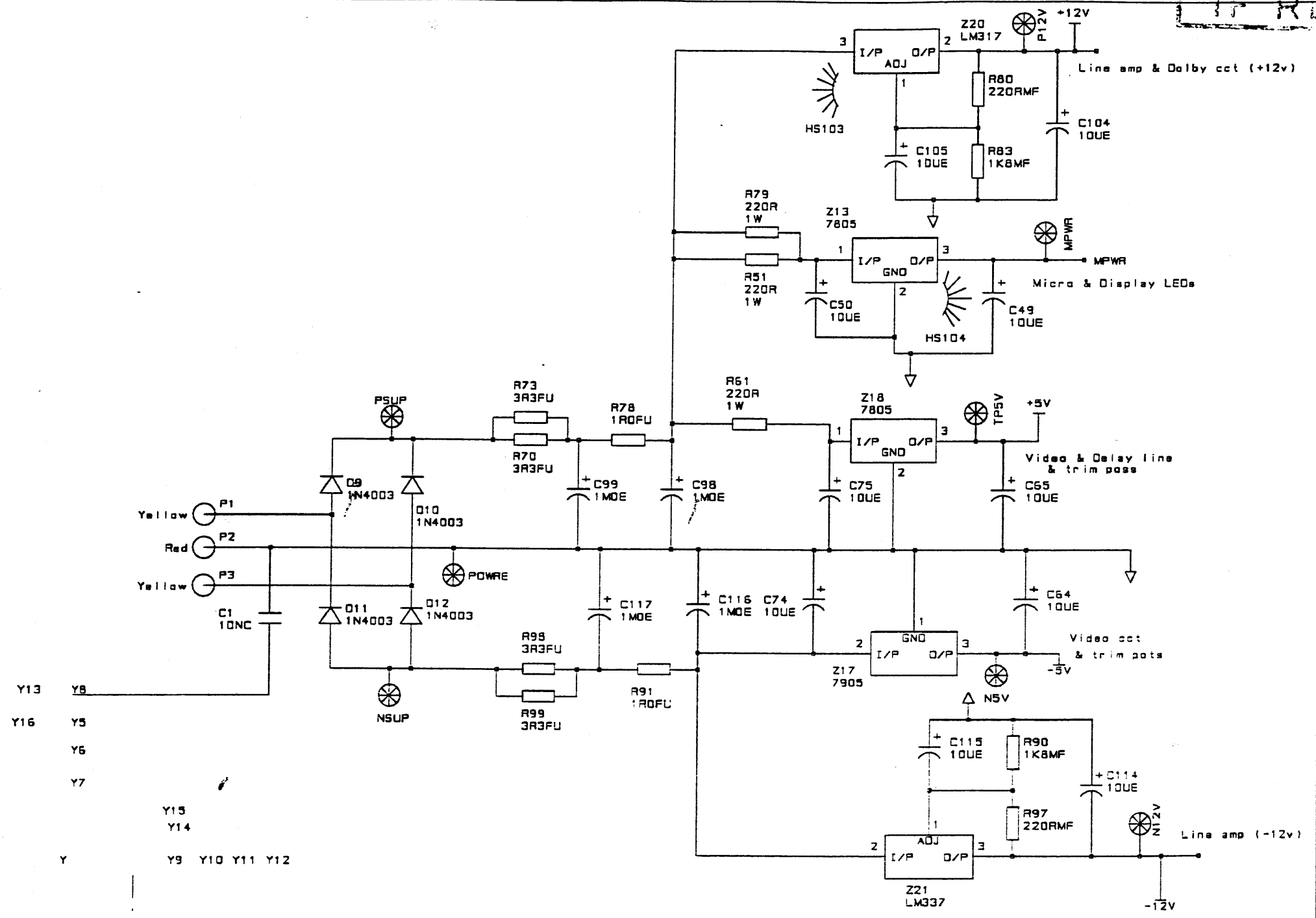
ARCAM A & R CAMBRIDGE WATERBEACH CAMBRIDGE CB8 9PS		DRAWING TITLE CIRCUIT DIAGRAM FOR XETA TWO MOTHERBOARD LINE AMP					
		2	JMG	17-9-99			99/092
		1	JMG	9-7-95			
ISSUE	INITIALS	DATE	DESCRIPTION		ECO No.		
DRAWING TYPE CIRCUIT DIAGRAM							
ALL DIMENSIONS IN MILLIMETERS UNLESS OTHERWISE STATED		ORIGINAL SCALE	DRAWN BY WAF/JMG	DATE 24/6/93	CHECKED BY	DATE	
TOLERANCES		SHT 3 OF 3		PART/ORS No. A2		L905C3_1	

**MASTER
IF RED**



<p>ARCAM A & R CAMBRIDGE LTD. WATERBEACH CAMBRIDGE CB5 9PB</p>		DRAWING TITLE			
		CIRCUIT DIAGRAM FOR XETA 2 STEERING PCB COMPOSITE VIDEO AND OSD GENERATION			
1	JMG	5-7-95			
ISSUE	INITIALS	DATE	DESCRIPTION OF CHANGE	ECO No	
DRAWING TYPE		CCT DIAG	DRAWN WITH REFERENCE TO BS 308		
DRAWN BY WAF/JMG		DATE 11-11-93	CHECKED BY	DATE	
SHT 2 OF 4		PART/ORG No.		L906C1	
ALL DIMENSIONS IN MILLIMETERS UNLESS OTHERWISE STATED					
TOLERANCES			ORIGINAL SCALE		

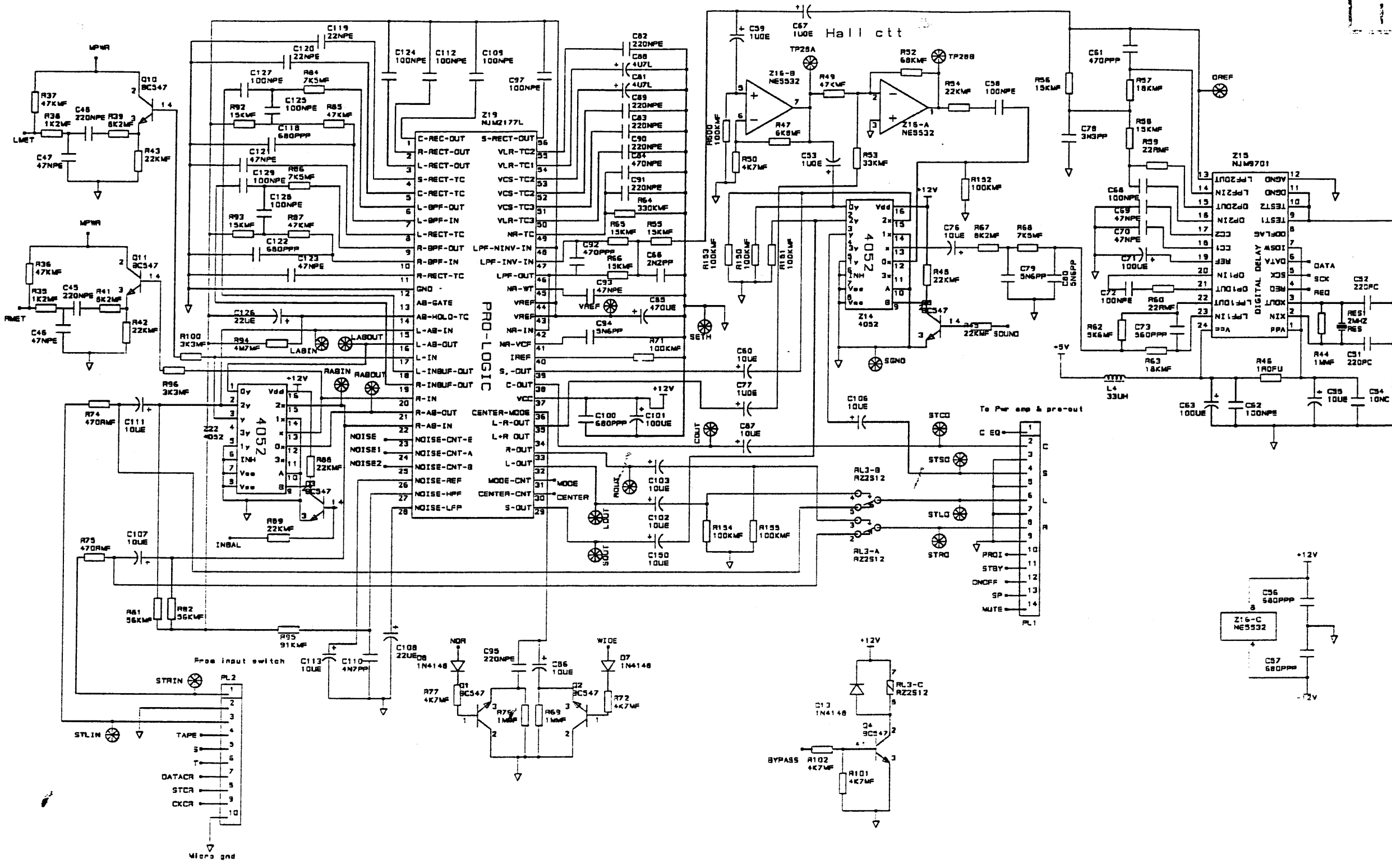
MASTER
IF RED



Y13 Y8
Y16 Y3
Y6
Y7
Y13
Y14
Y
Y9 Y10 Y11 Y12

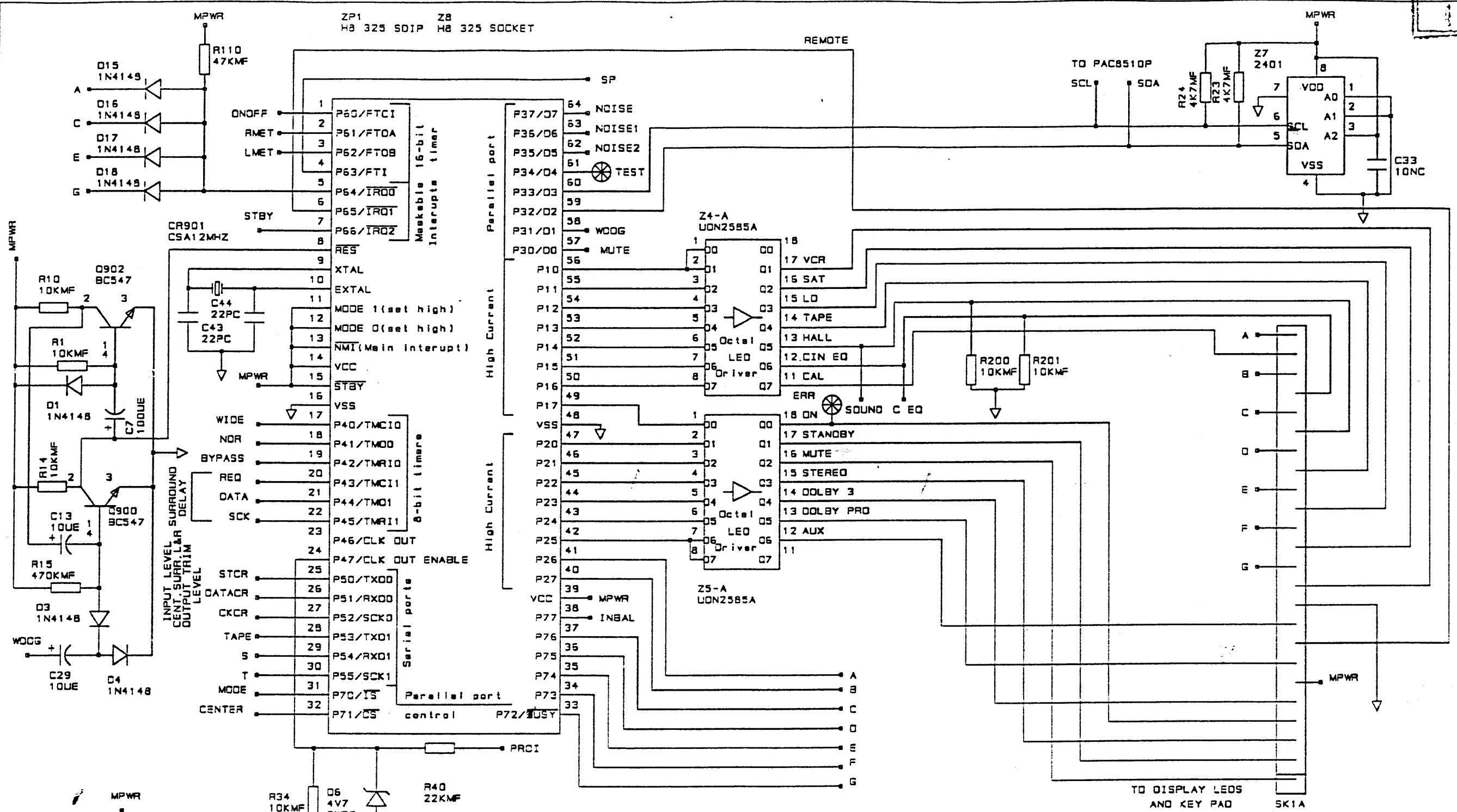
<p>ARCAM A & R CAMBRIDGE LTD. WATERBEACH CAMBRIDGE CB3 9PB</p>	DRAWING TITLE					
	<p>CIRCUIT DIAGRAM FOR POWER SUPPLY UNIT FOR STEERING PCB</p>					
ALL DIMENSIONS IN MILLIMETERS UNLESS OTHERWISE STATED		ORIGINAL SCALE	1	JMG	5-7-95	
TOLERANCES			ISSUE	INITIALS	DATE	DESCRIPTION OF CHANGE
			DRAWING TYPE		DRAWN WITH REFERENCE TO BS 308	
			DRAWN BY		DATE	CHECKED BY
			SHT 2 OF 4		PART/DRG No. L906C2	

**MASTER
IF RED**



ARCAM A & R CAMBRIDGE WATERBACH CAMBRIDGE CBS 9PB		DRAWING TITLE CIRCUIT DIAGRAM FOR PROLOGIC PART OF STEERING PCB			
1	JMG	5-7-98			
ISSUE	INITIALS	DATE	DESCRIPTION	ECO No.	
DRAWING TYPE CIRCUIT DIAGRAM					
ALL DIMENSIONS IN MILLIMETERS UNLESS OTHERWISE STATED		ORIGINAL SCALE	DRAWN BY WAP/JMG	DATE 24/6/93	CHECKED BY
TOLERANCES			SHT 3	OF 4	PART/ORG No. L906C3

MASTER
17 RED



ARCAM
A & R CAMBRIDGE LTD.
WATERBEACH
CAMBRIDGE
CB5 9PB

DRAWING TITLE
**CIRCUIT DIAGRAM FOR
MICRO
PART OF
STEERING PCB**

ALL DIMENSIONS IN MILLIMETERS UNLESS OTHERWISE STATED ORIGINAL SCALE
TOLERANCES

2	JMG	14-8-95	W Dog timer R1 & C7	95/091
1	JMG	5-7-95		
ISSUE	INITIALS	DATE	DESCRIPTION OF CHANGE	ECO No
DRAWING TYPE CIRCUIT			DRAWN WITH REFERENCE TO BS 308	
DRAWN BY WAF/JMG		DATE 20/12/93	CHECKED BY	DATE
SHT 4 OF 4			PART/ORG No. L906C4_1	