

CAPACITORS				
C No	VALUE	TYPE	61a-b	0-01μF
48	16μF	ELECT.	62a-b	0.1μF
49 a-b	4700pF	-	63a-b	100μF
50 a-b	0.02μF	-	64a-b	450pF
51 a-b	580pF	-	65a-b	18μF
52 a-b	3300pF	-	66a-b	0.1μF
53 a-b	0.1μF	-	67a-b	1000μF
54 a-b	25μF	-	68a-b	1000μF
55	100μF	ELECT.	69a-b	0.1μF
56	100μF	"	70a-b	47pF
57	100μF	"	91a-b	1500pF
58	100μF	"		
59	0.005μF	-		
60	0.005μF	-		

RESISTORS VALUES IN OHMS				
R No	VALUE	TYPE	57a-b	10%
37a-b	2.2M	5%	58a-b	220K
38a-b	2.2K	5%	59a-b	8.2K
39a-b	68K	5%	60a-b	47K
40a-b	470K	5%	61a-b	220K
41a-b	6.8K	5%	62a-b	3.9K
42a-b	39K	5%	63a-b	1M
43a-b	100K	5%	64a-b	1M
44	22K	10%	65a-b	1M
45a-b	1M	5%	66a-b	1M
46a-b	100K	10%	67a-b	4.7K
47a-b	2.7K	20%	68a-b	300
48a-b	47K	10%	69a-b	300
49a-b	47K	10%	70a-b	2.7K
50	470	20%	71a-b	100
51	100	10%	72a-b	4.7K
52	47	20%		
53	47	20%		
54	27	10%		
55a-b	330K	10%		
56a-b	1M	10%		

POTENTIOMETERS	
VR1a-b	250K LIN ~ BASS
VR2a-b	250K LIN ~ TREBLE
VR3a-b	100K LOG + 100K ANTI-LOG ~ BALANCE
VR4a-b	100K SEMI-LOG ~ VOLUME

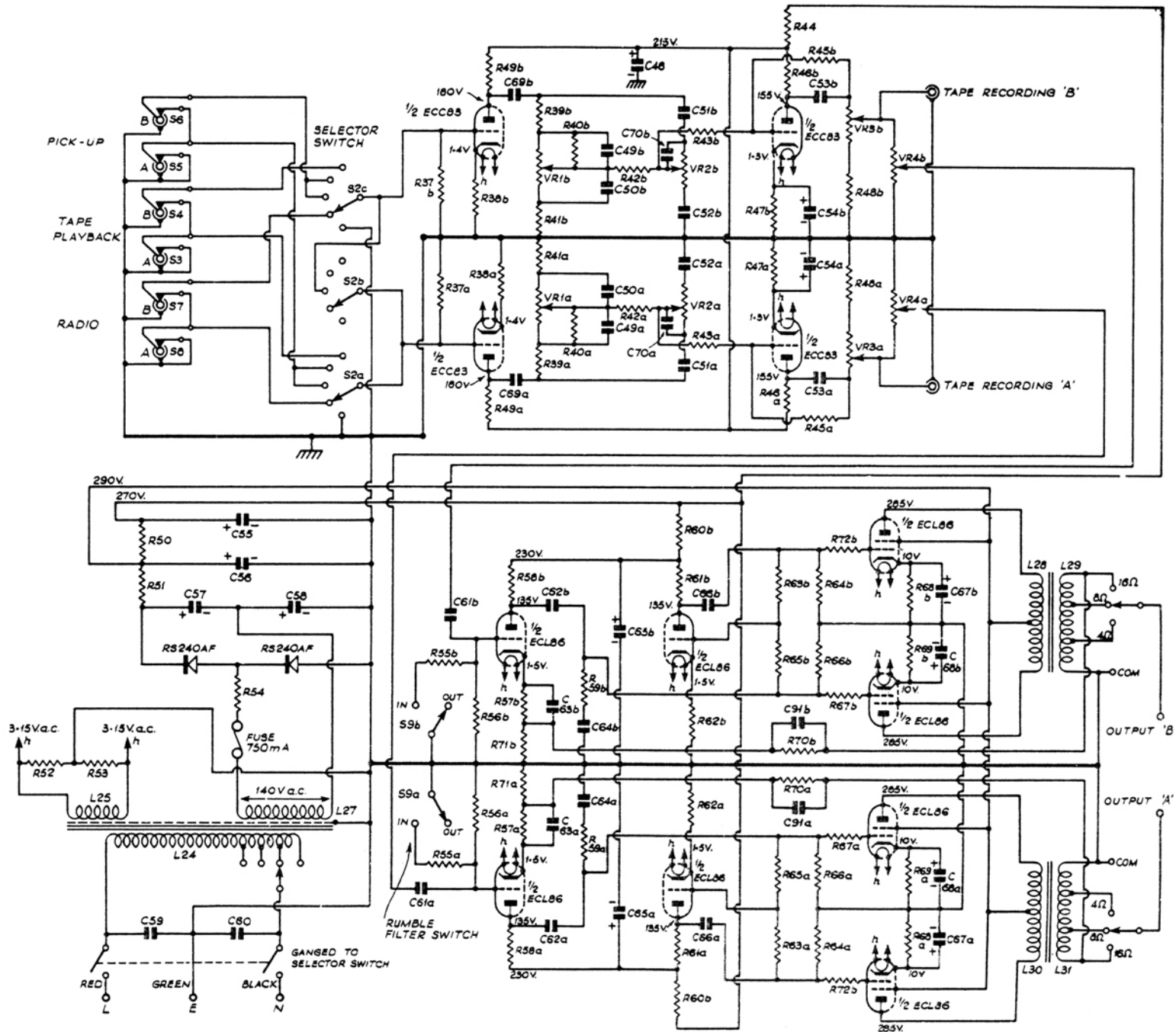
TRANSFORMERS		
L No	TYPE NUMBERING OR DESCRIPTION FOR ORDERING	RESISTANCE (OHMS)
24	MAINS TRANSFORMER ~	-
25	STATE MODEL AND PRIMARY VOLTAGE RANGE	-
27	-	-
28	9999 OUTPUT TRANSFORMER	350
29	-	0.8 (16Ω TAP)
30	9999 OUTPUT TRANSFORMER	350
31	-	0.8 (16Ω TAP)

ALTHOUGH THE NUMBERING OF COMPONENTS MAY APPEAR ILLUSORY THIS IS BECAUSE THE SAME NUMBERS ARE USED IN OTHER MODELS HAVING IDENTICAL CIRCUITRY.

CIRCUIT DIAGRAM & COMPONENTS TABLE

MODELS 221 & 222

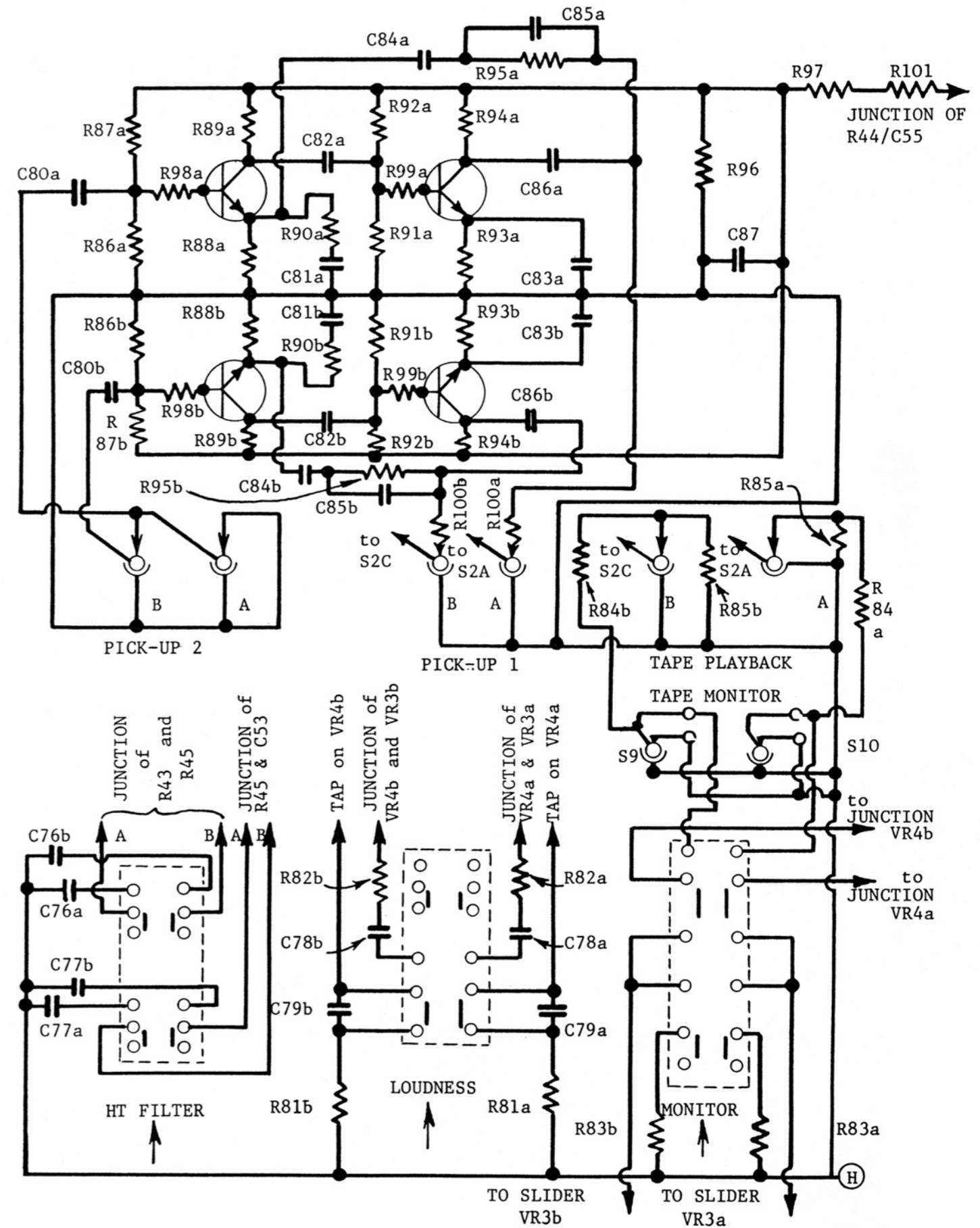
Separate sheet for circuit diagram of components included in 221 but not 222



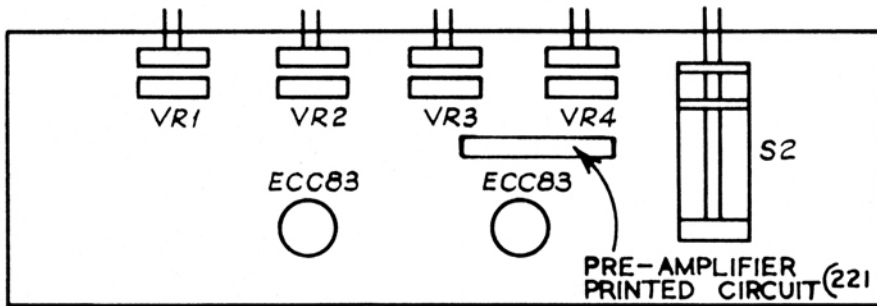
COMPONENTS INCLUDED IN MODEL 221 BUT NOT 222

RESISTORS - values in Ohms.			CAPACITORS		
R.No.	VALUE	TYPE	C.No.	VALUE	TYPE
81a-b	4.7K	10%	76a-b	580pF	5%
82a-b	150K	10%	77a-b	1000pF	5%
83a-b	330K	10%	78a-b	100pF	10%
84a-b	75K	5%	79a-b	0.1uF	-
85a-b	15K	10%	80a-b	25uF	ELECT
86a-b	100K	10%	81a-b	8uF	ELECT
87a-b	470K	10%	82a-b	25uF	ELECT
88a-b	10K	10%	83a-b	25uF	ELECT
89a-b	27K	10%	84a-b	0.022uF	-
90a-b	680	5%	85a-b	6800pF	5%
91a-b	18K	10%	86a-b	0.033uF	-
92a-b	68K	10%	87	500uF	ELECT
93a-b	3.9K	10%	TRANSISTORS		
94a-b	8.2K	10%			
95a-b	15K	10%	No.	TYPE	
96	3.9K	10%	TR1a-b	BC 109	
97	33K	10%	TR2a-b	BC 109	
98a-b	6.8K	10%			
99a-b	6.8K	10%			
100a-b	220	10%			
101	27K	10%			

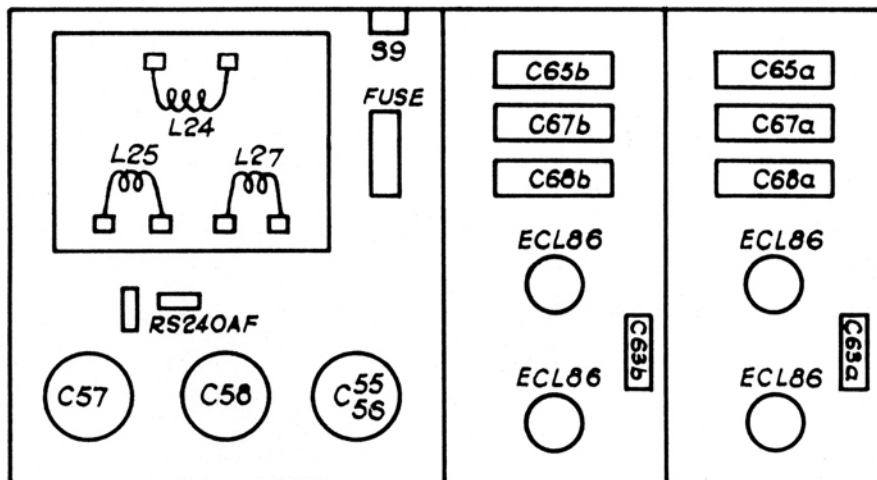
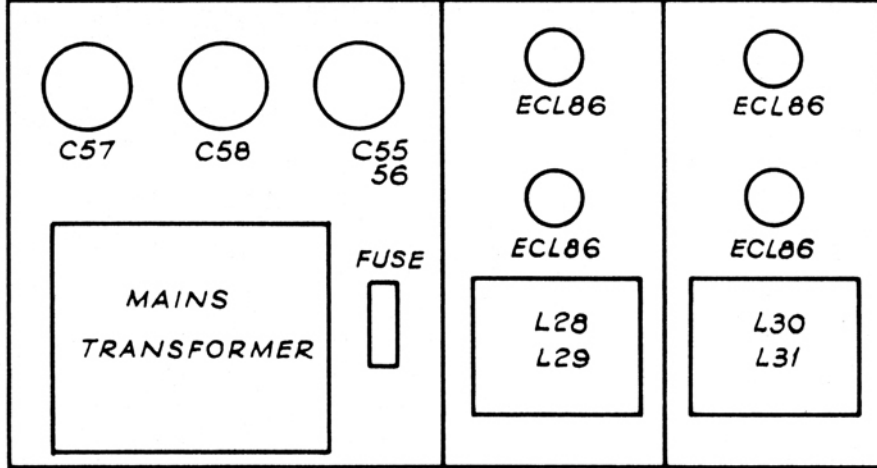
Note: Pickup 1 and Tape Playback inputs are shown on circuit opposite because although these inputs are included in Model 222 they are wired differently in each amplifier.



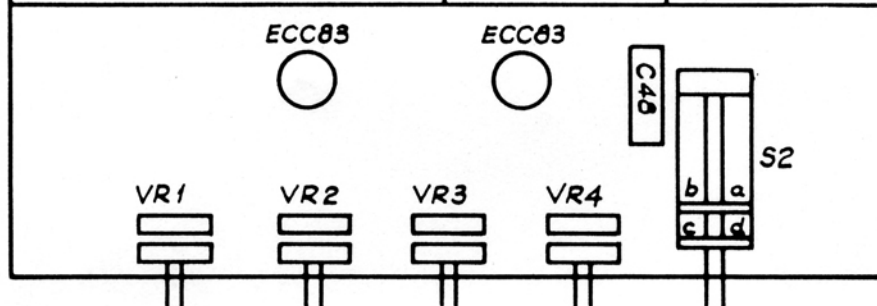
CHASSIS LAYOUT



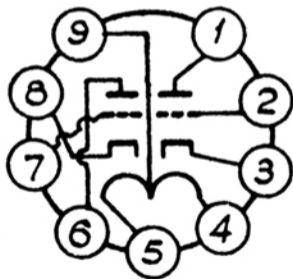
TOP VIEW



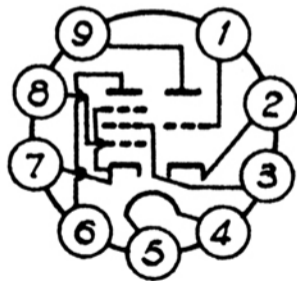
UNDERSIDE VIEW



VALVE BASE DIAGRAMS — DRAWN AS SEEN
FROM UNDERSIDE OF BASE



ECC83



ECL86