

CAPACITORS				
C No	VALUE	TYPE	61a-b	0-01μF
48	16μF	ELECT.	62a-b	0.1μF
49 a-b	4700pF	-	63a-b	100μF ELECT.
50 a-b	0.02μF	-	64a-b	450pF
51 a-b	580pF	-	65a-b	18μF ELECT.
52 a-b	3300pF	-	66a-b	0.1μF
53 a-b	0.1μF	-	67a-b	1000μF ELECT.
54 a-b	25μF	-	68a-b	1000μF "
55	100μF ELECT.		69a-b	0.1μF
56	100μF	"	70a-b	47pF 10%
57	100μF	"	91a-b	1500pF
58	100μF	"		
59	0.005μF	-		
60	0.005μF	-		

RESISTORS VALUES IN OHMS				
R No	VALUE	TYPE	57a-b	10%
37a-b	2.2M	5%	58a-b	220K 10%
38a-b	2.2K	5%	59a-b	8.2K 10%
39a-b	68K	5%	60a-b	47K 10%
40a-b	470K	5%	61a-b	220K 10%
41a-b	6.8K	5%	62a-b	3.9K 10%
42a-b	39K	5%	63a-b	1M 5%
43a-b	100K	5%	64a-b	1M 10%
44	22K	10%	65a-b	1M 5%
45a-b	1M	5%	66a-b	1M 10%
46a-b	100K	10%	67a-b	4.7K 10%
47a-b	2.7K	20%	68a-b	300 5%
48a-b	47K	10%	69a-b	300 5%
49a-b	47K	10%	70a-b	2.7K 5%
50	470	20%	71a-b	100 5%
51	100	10%	72a-b	4.7K 10%
52	47	20%		
53	47	20%		
54	27	10%		
55a-b	330K	10%		
56a-b	1M	10%		

POTENTIOMETERS	
VR1a-b	250K LIN ~ BASS
VR2a-b	250K LIN ~ TREBLE
VR3a-b	100K LOG + 100K ANTI-LOG ~ BALANCE
VR4a-b	100K SEMI-LOG ~ VOLUME

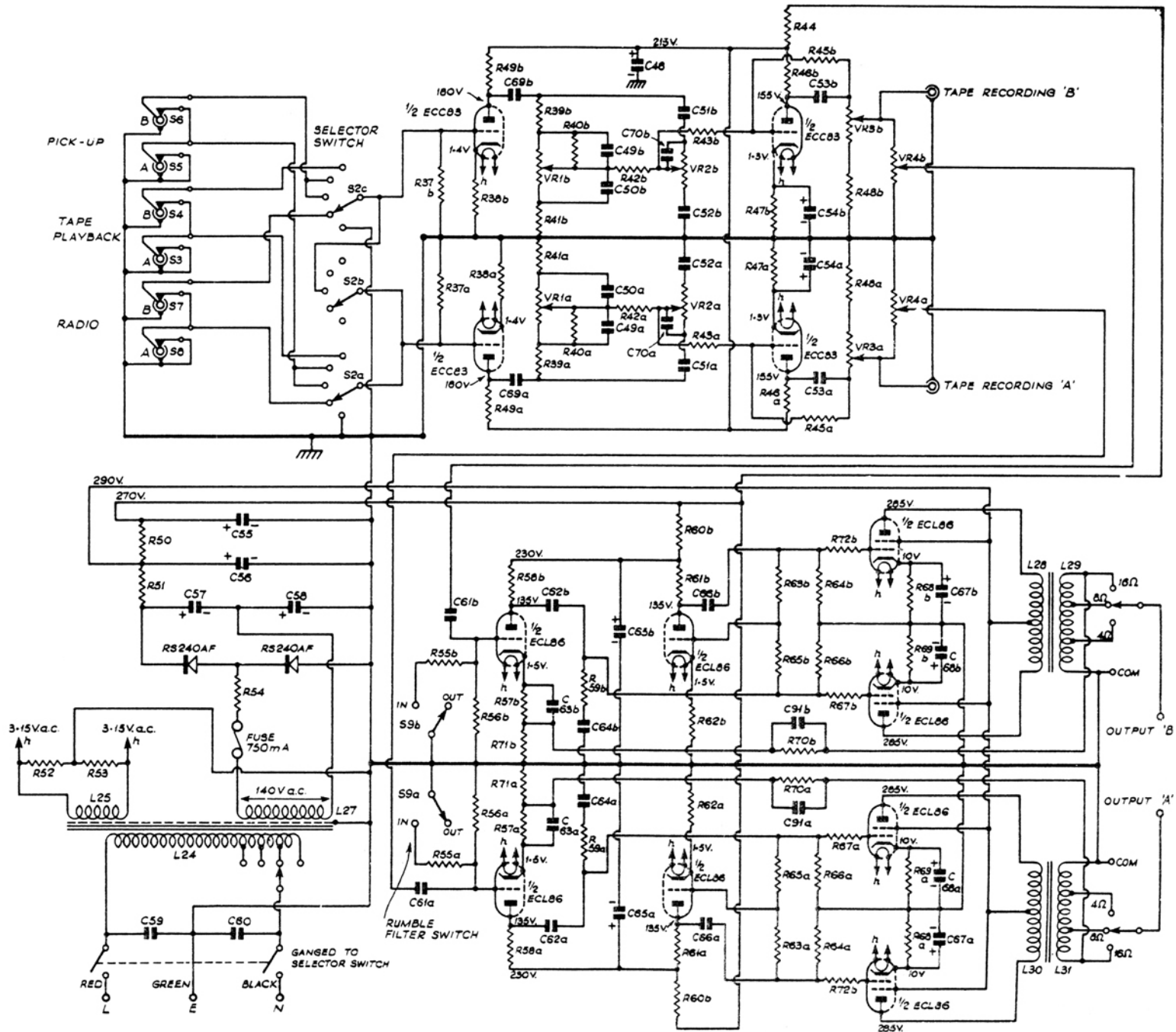
TRANSFORMERS		
L No	TYPE NUMBERING OR DESCRIPTION FOR ORDERING	RESISTANCE (OHMS)
24	MAINS TRANSFORMER	-
25	STATE MODEL AND PRIMARY VOLTAGE RANGE	-
27		-
28	9999 OUTPUT TRANSFORMER	350
29		0.8 (16Ω TAP)
30	9999 OUTPUT TRANSFORMER	350
31		0.8 (16Ω TAP)

ALTHOUGH THE NUMBERING OF COMPONENTS MAY APPEAR ILLOGICAL THIS IS BECAUSE THE SAME NUMBERS ARE USED IN OTHER MODELS HAVING IDENTICAL CIRCUITRY.

### CIRCUIT DIAGRAM & COMPONENTS TABLE

#### MODELS 221 & 222

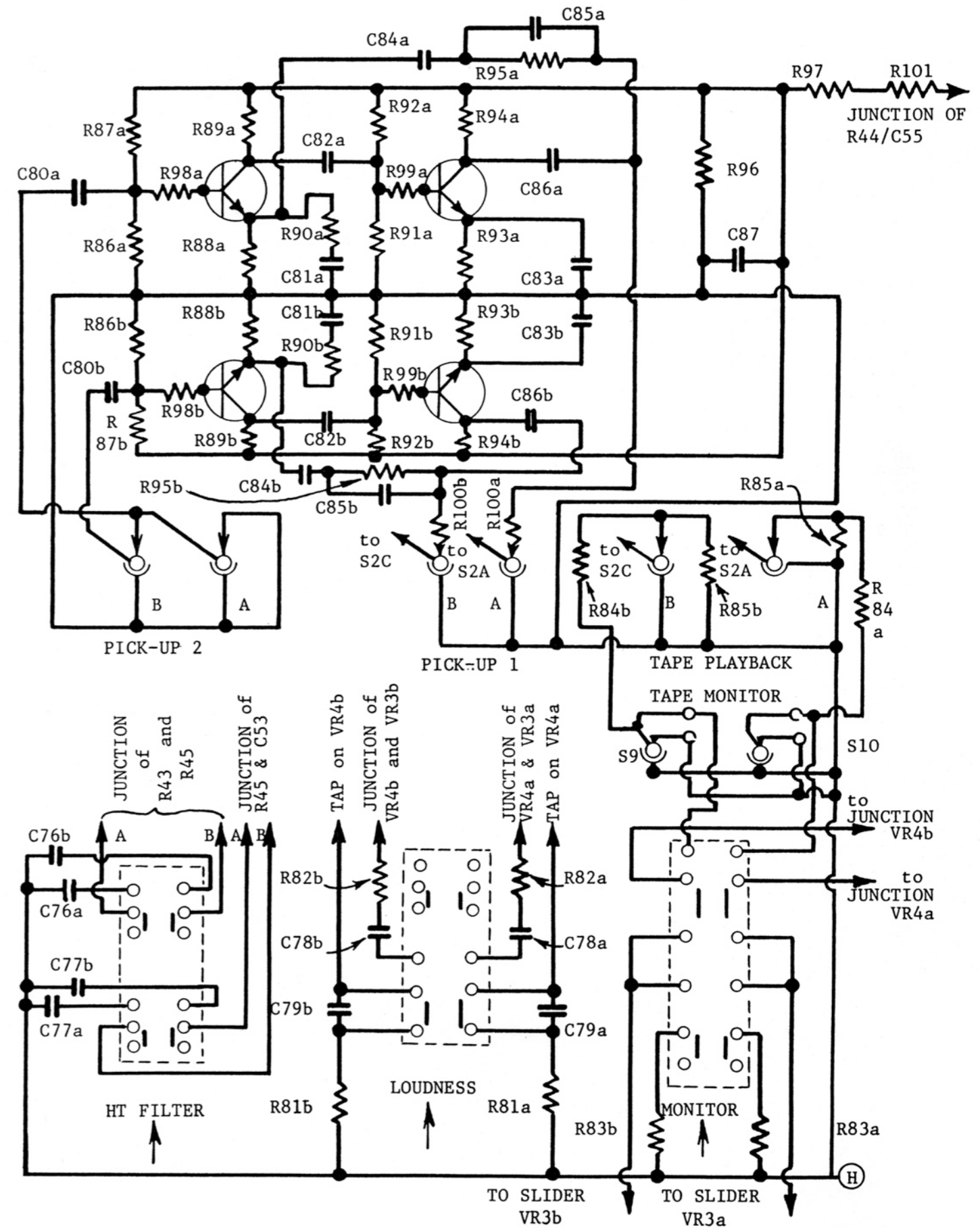
Separate sheet for circuit diagram of components included in 221 but not 222



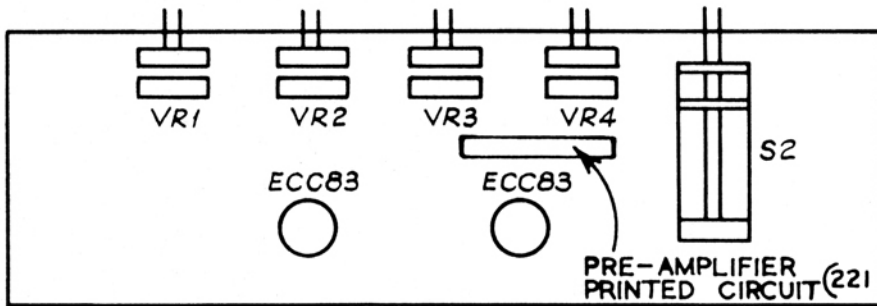
COMPONENTS INCLUDED IN MODEL 221 BUT NOT 222

RESISTORS - values in Ohms.			CAPACITORS						
R.No.	VALUE	TYPE	C.No.	VALUE	TYPE				
81a-b	4.7K	10%	76a-b	580pF	5%				
82a-b	150K	10%	77a-b	1000pF	5%				
83a-b	330K	10%	78a-b	100pF	10%				
84a-b	75K	5%	79a-b	0.1uF	-				
85a-b	15K	10%	80a-b	25uF	ELECT				
86a-b	100K	10%	81a-b	8uF	ELECT				
87a-b	470K	10%	82a-b	25uF	ELECT				
88a-b	10K	10%	83a-b	25uF	ELECT				
89a-b	27K	10%	84a-b	0.022uF	-				
90a-b	680	5%	85a-b	6800pF	5%				
91a-b	18K	10%	86a-b	0.033uF	-				
92a-b	68K	10%	87	500uF	ELECT				
93a-b	3.9K	10%	TRANSISTORS						
94a-b	8.2K	10%	No.	TYPE					
95a-b	15K	10%	<table border="1"> <tr> <td>TR1a-b</td> <td>BC 109</td> </tr> <tr> <td>TR2a-b</td> <td>BC 109</td> </tr> </table>			TR1a-b	BC 109	TR2a-b	BC 109
TR1a-b	BC 109								
TR2a-b	BC 109								
96	3.9K	10%							
97	33K	10%							
98a-b	6.8K	10%							
99a-b	6.8K	10%							
100a-b	220	10%							
101	27K	10%							

**Note:** Pickup 1 and Tape Playback inputs are shown on circuit opposite because although these inputs are included in Model 222 they are wired differently in each amplifier.

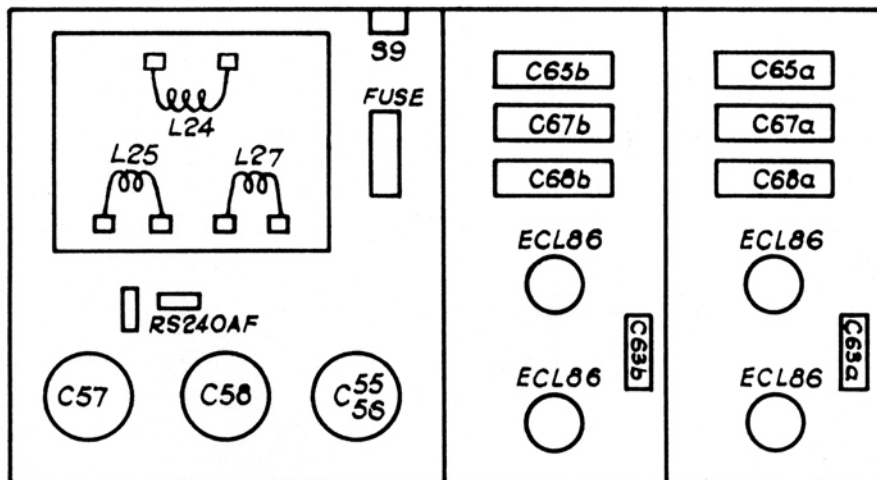
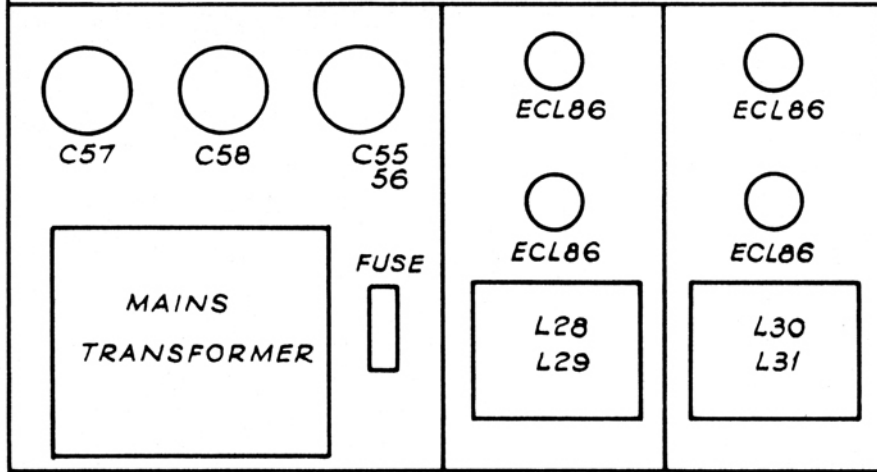


# CHASSIS LAYOUT

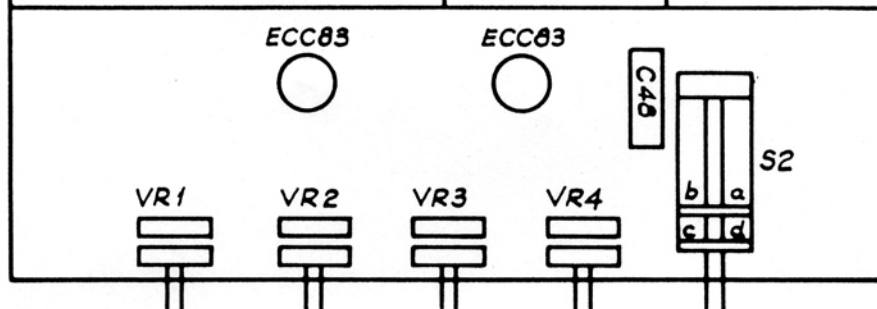


ONLY)

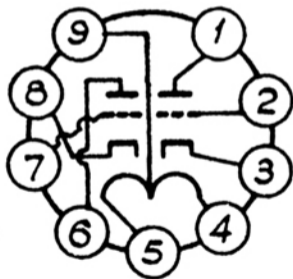
TOP VIEW



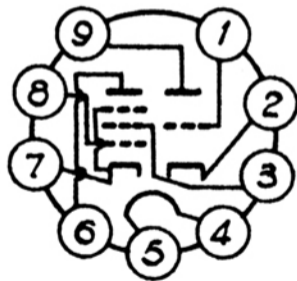
UNDERSIDE VIEW



VALVE BASE DIAGRAMS — DRAWN AS SEEN  
FROM UNDERSIDE OF BASE



ECC83



ECL86