

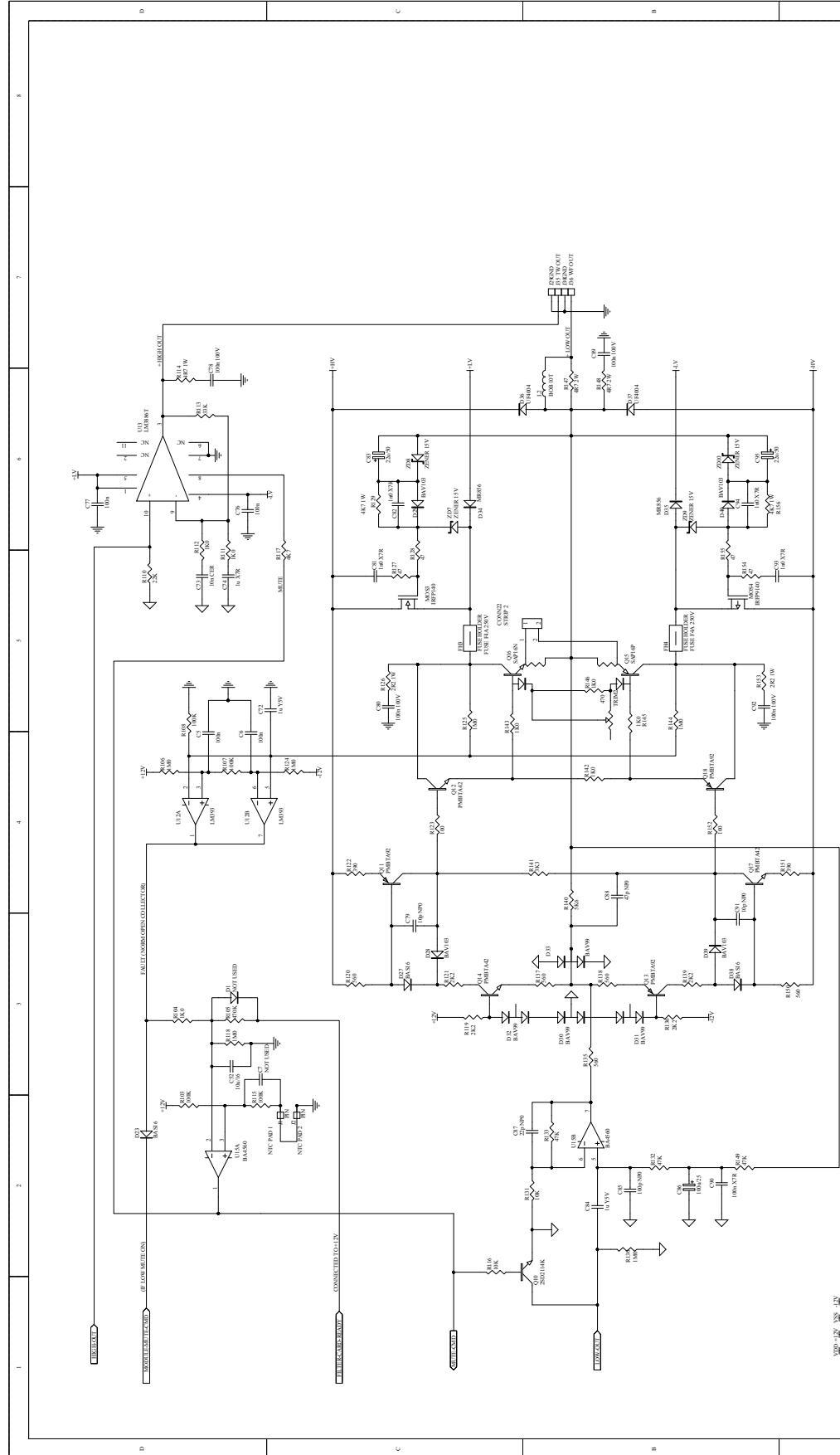
INPUTS	CHANNEL ON
L X Y Z	XYZ-30V(0P)
L X	XYZ-30V(10V)
L X X	XYZ-30V(5V)
H X X	None

DEFAULT XYZ = XI/YI/ZI

Control	Mask	Trace	Drawn	Area	N	INSTRUMENT ELECTRICAL PRODUCTION	DATE	SCALE	SIZE
FUNCTION	1	1	1	1	1	1	1/1	1/1	1/1
PROJECT	1	1	1	1	1	1	1/1	1/1	1/1
DRAWN	1	1	1	1	1	1	1/1	1/1	1/1
CHECKED	1	1	1	1	1	1	1/1	1/1	1/1
APPROVED	1	1	1	1	1	1	1/1	1/1	1/1
CHECKED NUMBER	1	1	1	1	1	1	1/1	1/1	1/1
DRAWING NUMBER	1	1	1	1	1	1	1/1	1/1	1/1
ISSUED	1	1	1	1	1	1	1/1	1/1	1/1
REVISION	1	1	1	1	1	1	1/1	1/1	1/1

INSTRUMENT ELECTRICAL PRODUCTION
DRAWING NUMBER 1
DATE 1/1/1
SCALE 1/1
SIZE 1/1

PST 335C



Drawn	Checked	Rev.	Date	Description
		1		Initial Design
		2		Revision
		3		Revision

Doc No	Rev	Date	Drawn	Checked	Rev	Date
INDUSTRIAL	1	2023-10-27	J. B. M.	M. A. S.	1	2023-10-27
Doc Description: 30W 100V 50/60Hz Transformer						
Doc No: 30W 100V 50/60Hz Transformer						
Doc Rev: 1						
Doc Date: 2023-10-27						
Doc Author: J. B. M.						
Doc Checker: M. A. S.						
Doc Number: 30W 100V 50/60Hz Transformer						
Doc Series: A						

3 2 4 5 6 7 8

9

PST 335C

© 2023 RCF Industries, Inc. All rights reserved. RCF Industries, Inc. is not responsible for any modifications or alterations to this document.