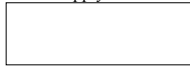


Power supply and Meters  
Power supply and Meters.Sch




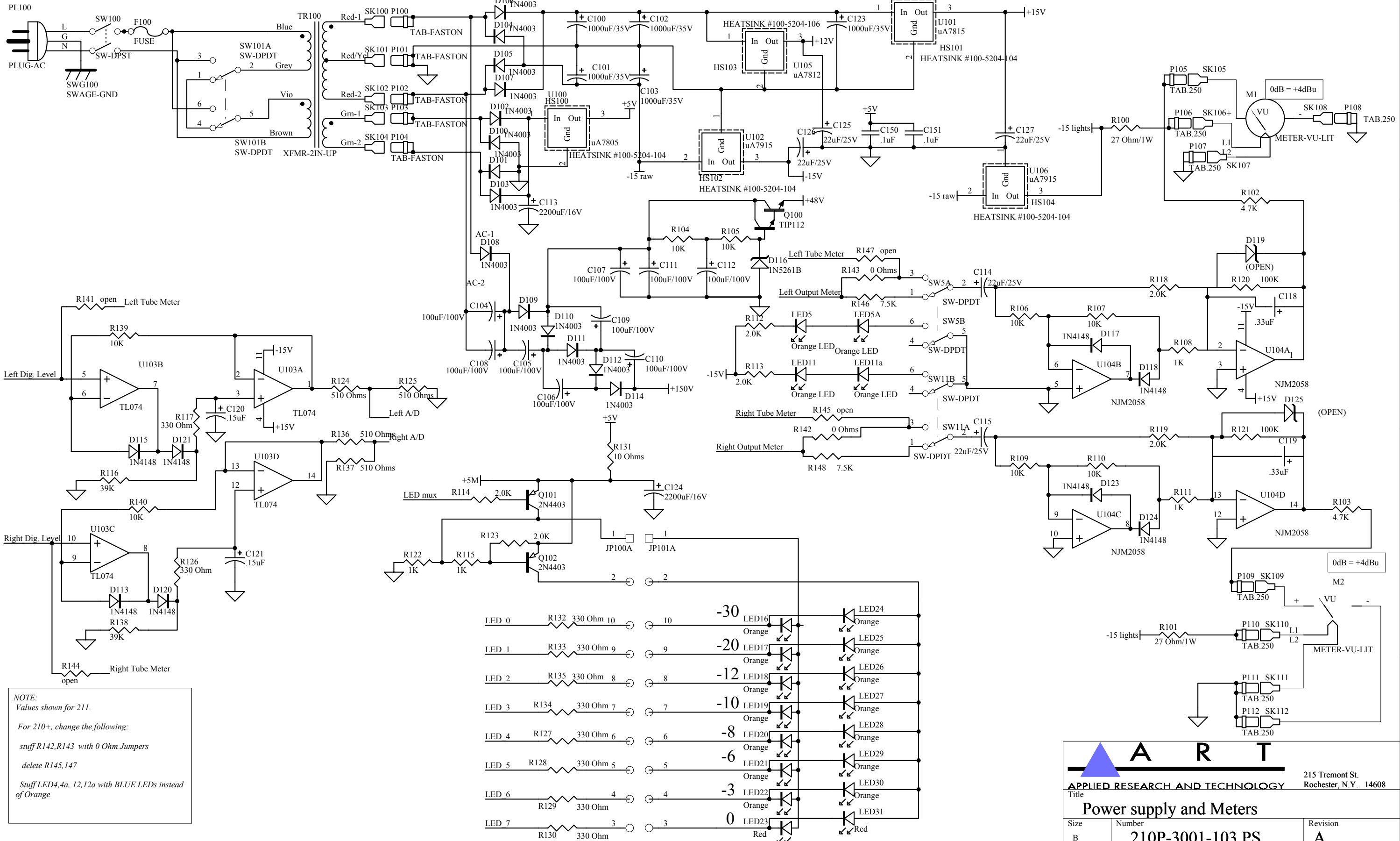
Mic/Inst. Input Section  
Input.Sch



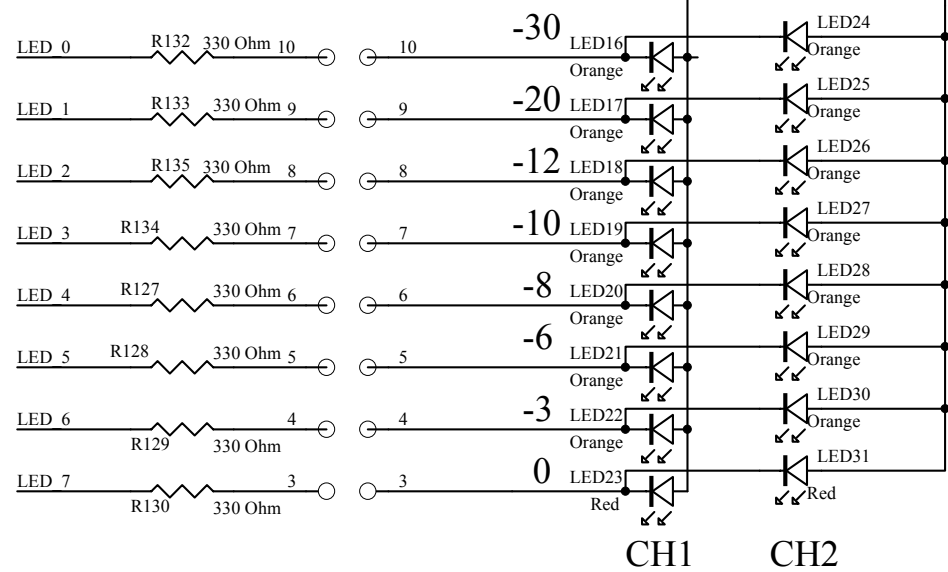
Tube and Analog Ouput  
tube and output.sch



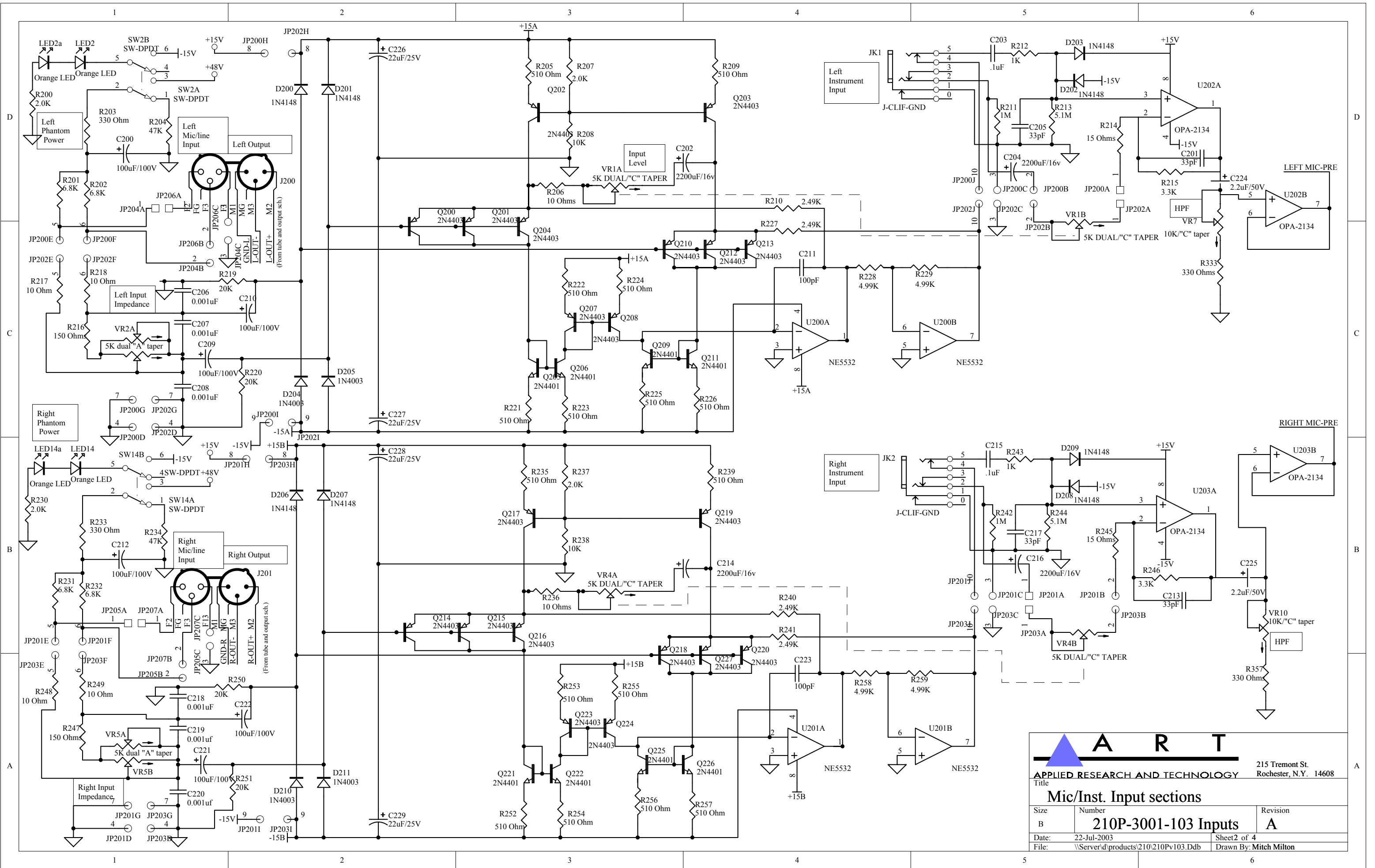
		215 Tremont St. Rochester, N.Y. 14608	
		<b>APPLIED RESEARCH AND TECHNOLOGY</b>	
Title			
<b>MPA GOLD block diagram</b>			
Size	Number	Revision	
B	<b>210P-3001-103</b>	<b>A</b>	
Date:	22-Jul-2003	Sheet 0 of 4	
File:	\\Server\d\products\210\210Pv103.Ddb	Drawn By: <b>Mitch Milton</b>	



NOTE:  
 Values shown for 211.  
 For 210+, change the following:  
 stuff R142, R143 with 0 Ohm Jumpers  
 delete R145, 147  
 Stuff LED4, 4a, 12, 12a with BLUE LEDs instead  
 of Orange



<b>ART</b>		
APPLIED RESEARCH AND TECHNOLOGY		215 Tremont St. Rochester, N.Y. 14608
Title <b>Power supply and Meters</b>		
Size B	Number <b>210P-3001-103 PS</b>	Revision <b>A</b>
Date: 22-Jul-2003	Sheet 1 of 4	
File: \\Server\d\products\210\210Pv103.Ddb	Drawn By: Mitch Milton	



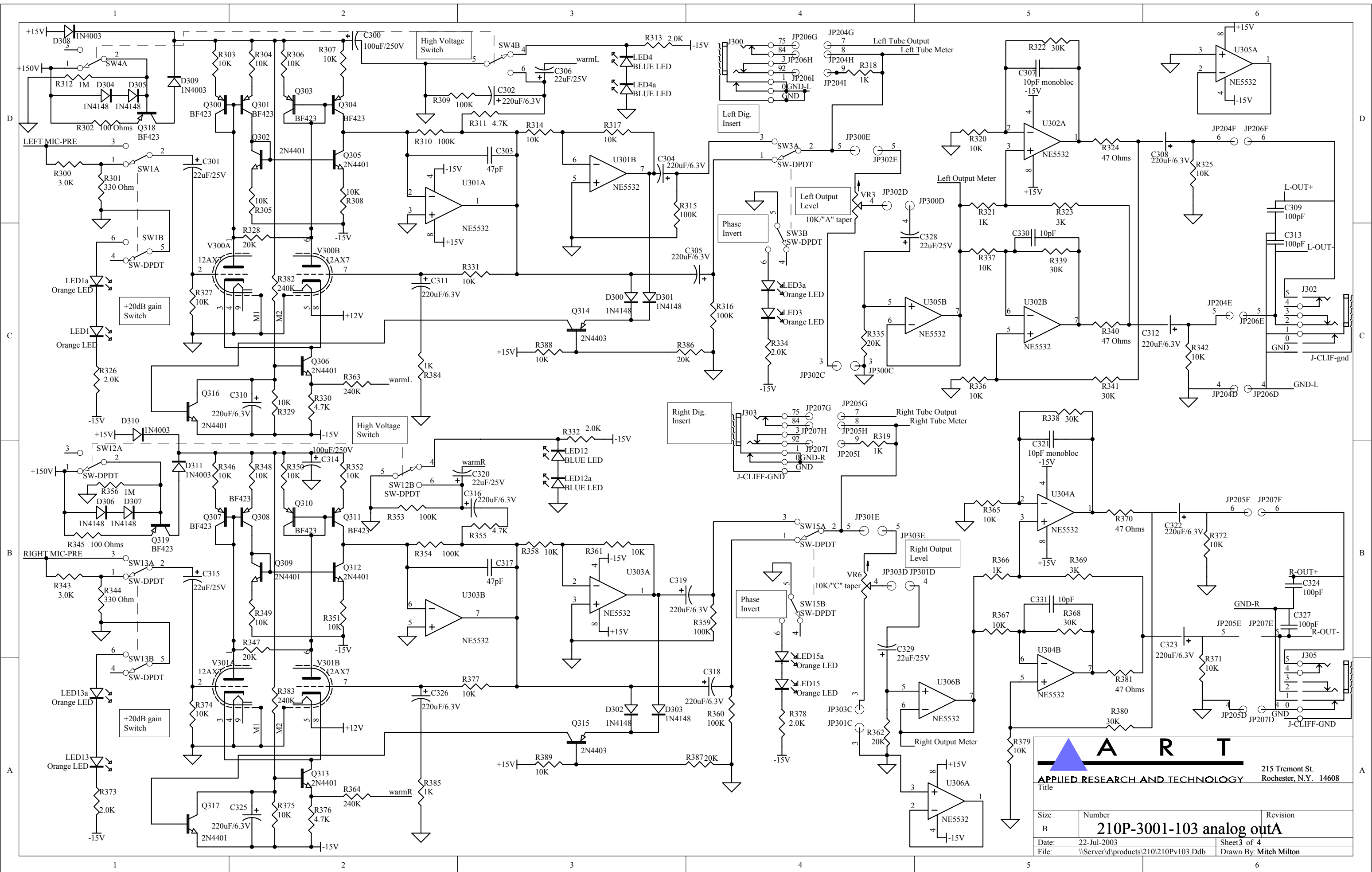
**A R T**

APPLIED RESEARCH AND TECHNOLOGY

215 Tremont St.  
Rochester, N.Y. 14608

**Mic/Inst. Input sections**

Size	Number	Revision
B	<b>210P-3001-103 Inputs</b>	A
Date:	22-Jul-2003	Sheet 2 of 4
File:	\\Server\d\products\210\210Pv103.Ddb	Drawn By: Mitch Milton



**ART**  
**APPLIED RESEARCH AND TECHNOLOGY**

215 Tremont St.  
Rochester, N.Y. 14608

Size	Number	Revision
B	<b>210P-3001-103 analog outA</b>	
Date:	22-Jul-2003	Sheet 3 of 4
File:	\\Server\products\210\210Pv103.Ddb Drawn By: Mitch Milton	