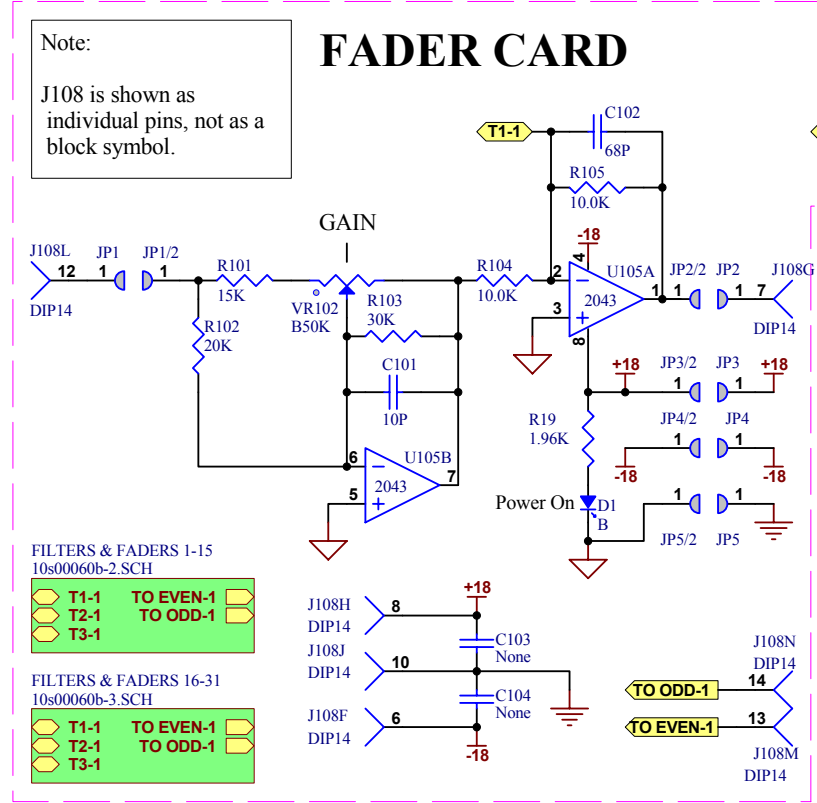
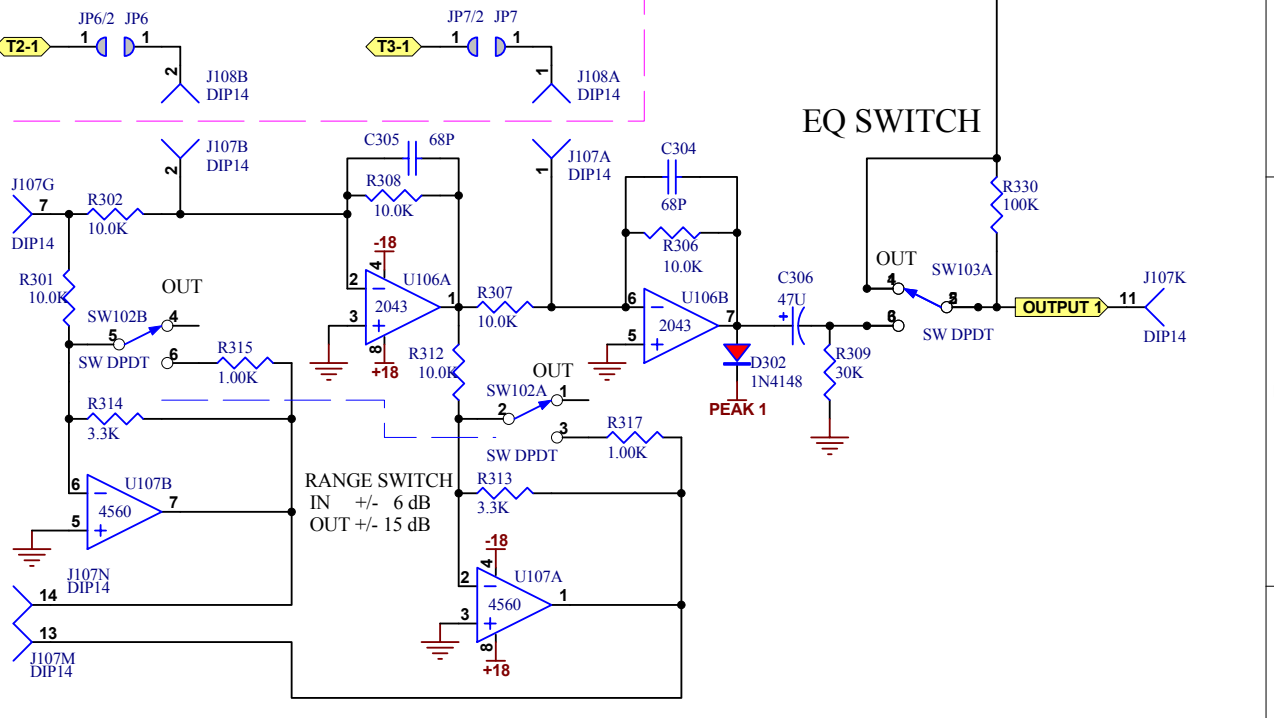


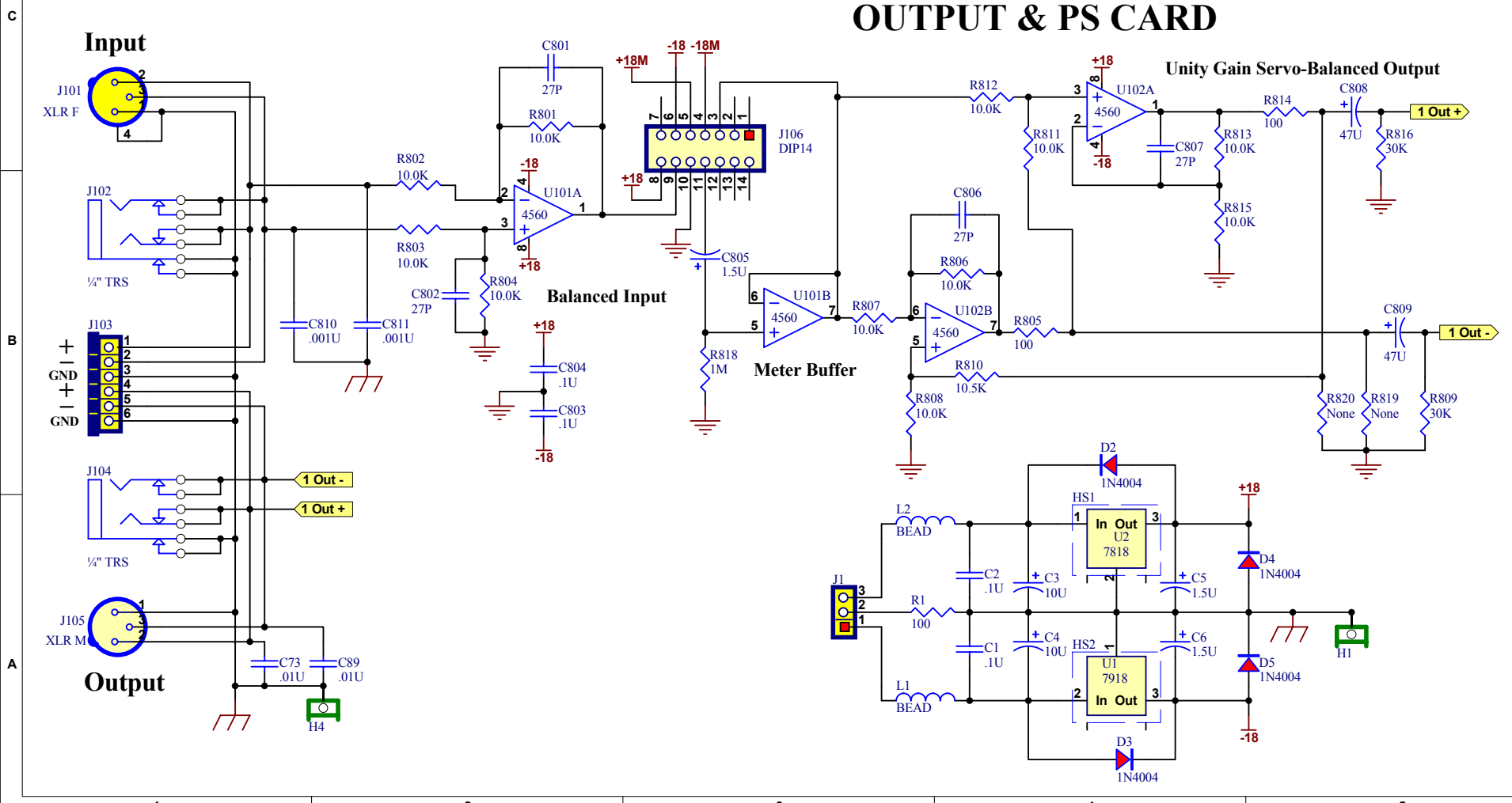
SWITCH CARD



FADER CARD

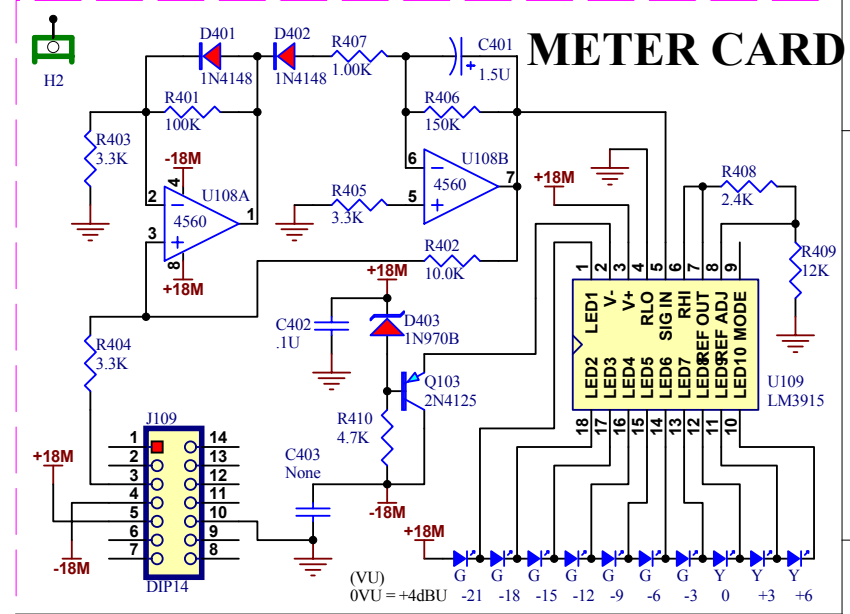


EQ SWITCH



OUTPUT & PS CARD

- Cable Pin-Out**
- 01: From Even # Filters
 - 02: From Odd # Filters
 - 03: Input to Meter Card
 - 04: -18V to Meter Card
 - 05: +18V to Meter Card
 - 06: -18V
 - 07: Output from Fader Card
 - 08: +18V
 - 09: Input to Switch Card
 - 10: GND
 - 11: Output from Switch Card
 - 12: Input to Fader Card
 - 13: To Even # Filters
 - 14: To Odd # Filter



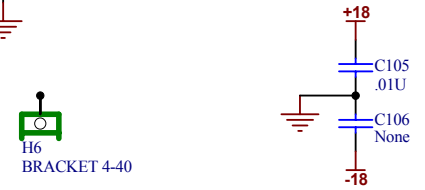
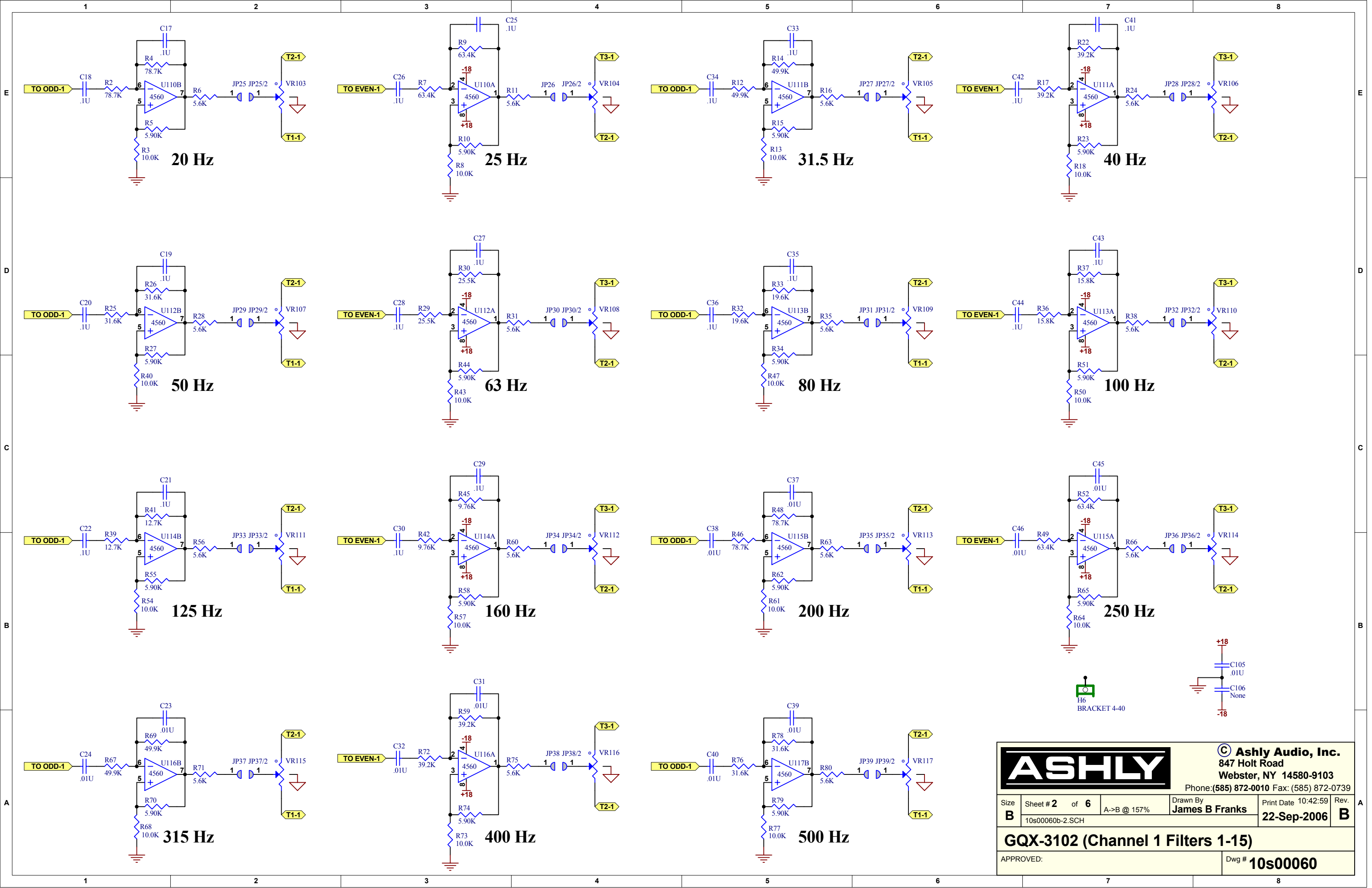
METER CARD

© Ashly Audio, Inc.
847 Holt Road
Webster, NY 14580-9103
Phone: (585) 872-0010 Fax: (585) 872-0739

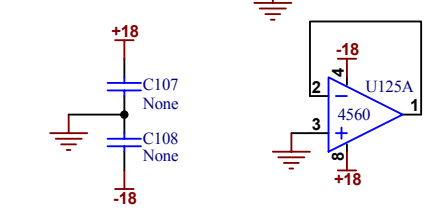
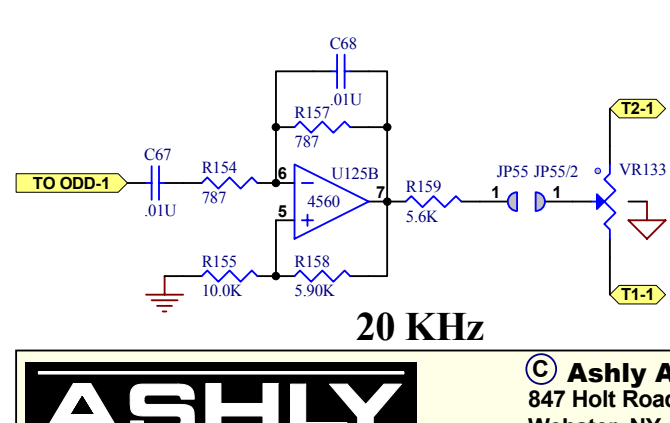
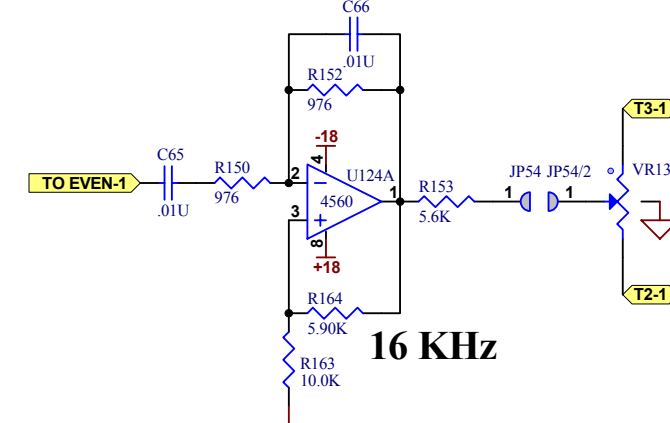
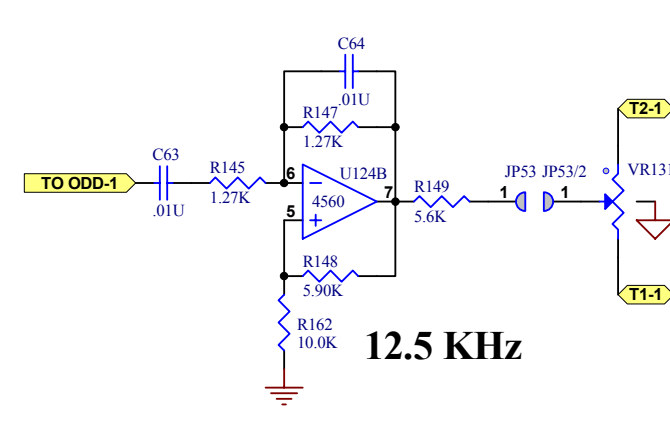
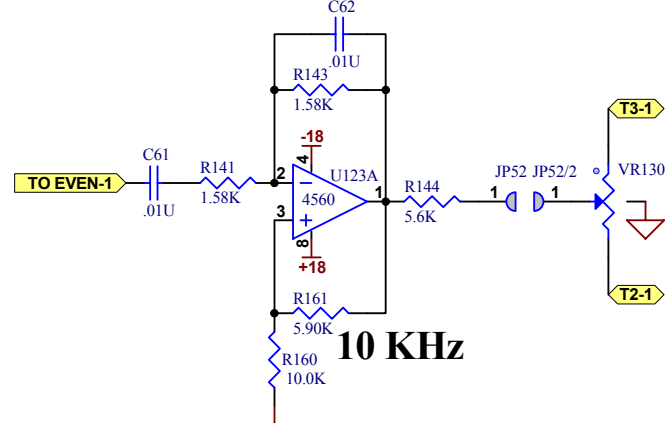
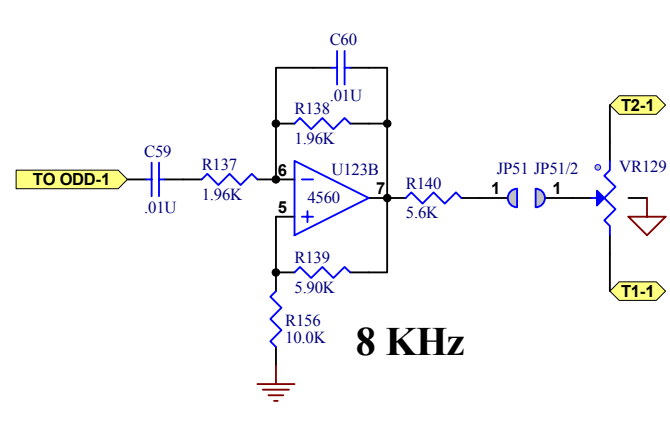
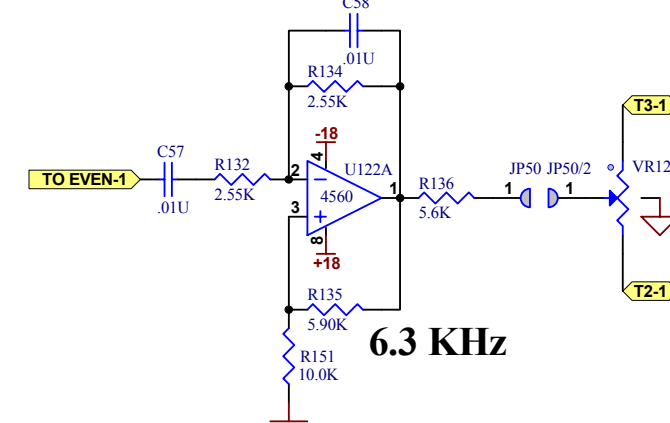
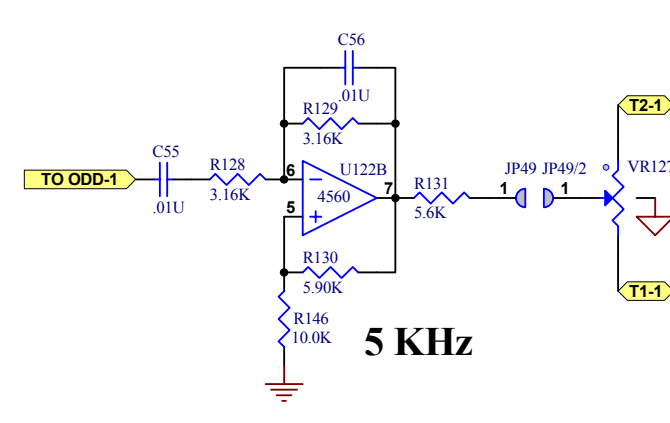
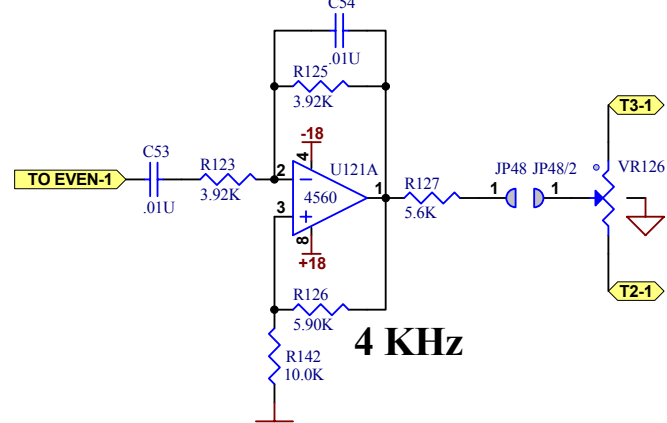
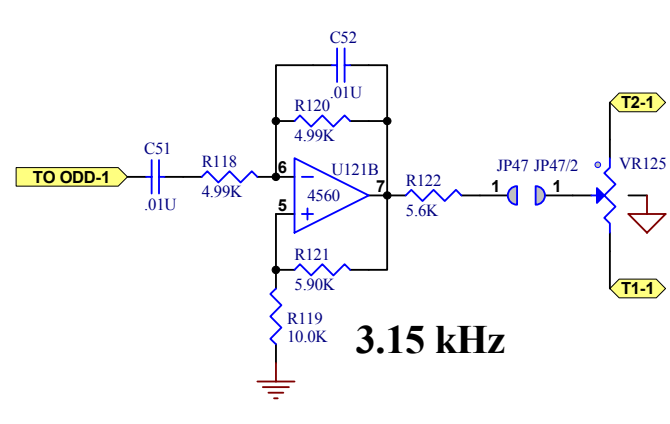
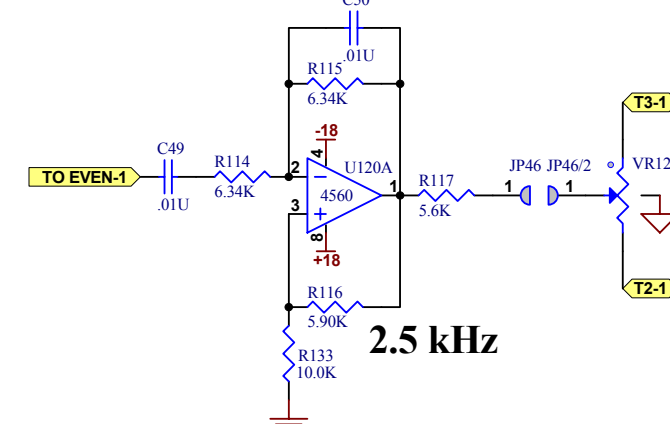
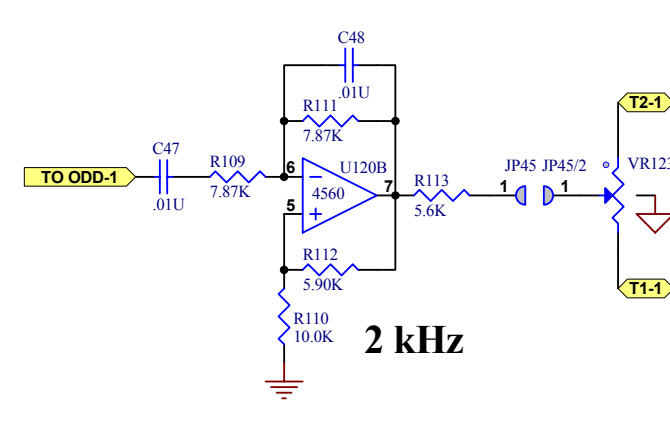
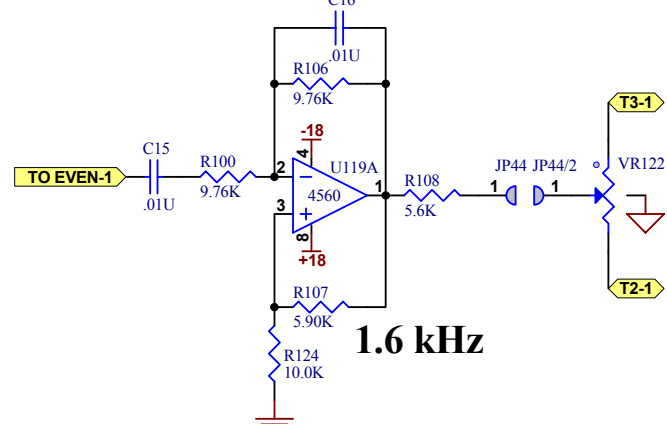
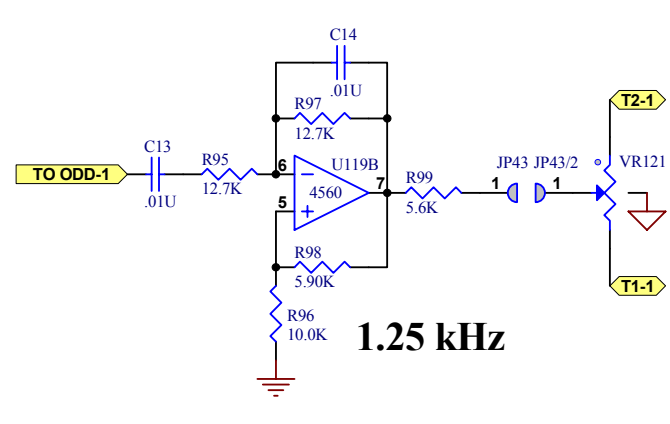
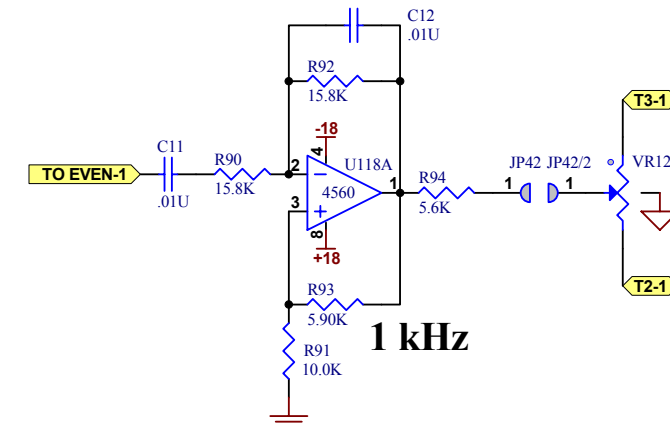
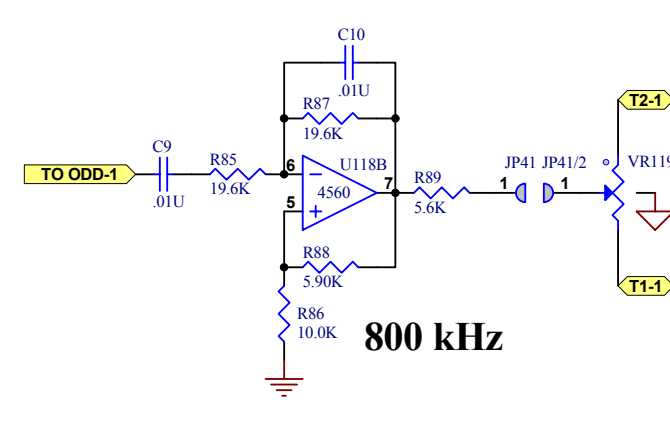
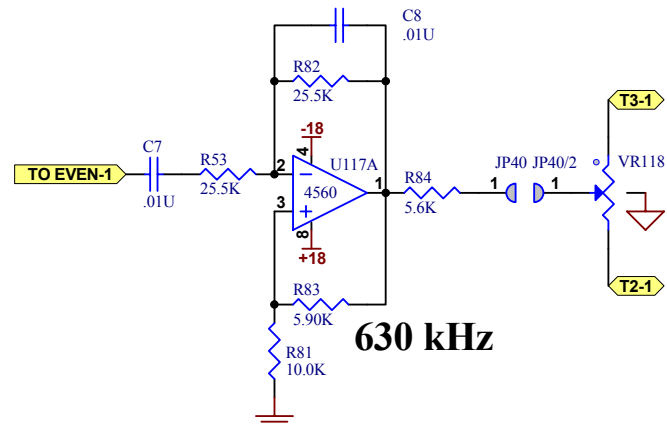
ASHLY

Size B	Sheet # 1 of 6 10s00060b-1.Sch	A->B @ 157%	Drawn By James B Franks	Print Date 10:43:16 22-Sep-2006	Rev. B
GQX-3102 (Channel 1)					
APPROVED:				Dwg # 10s00060	

Channel 2
10s00060b-4.Sch

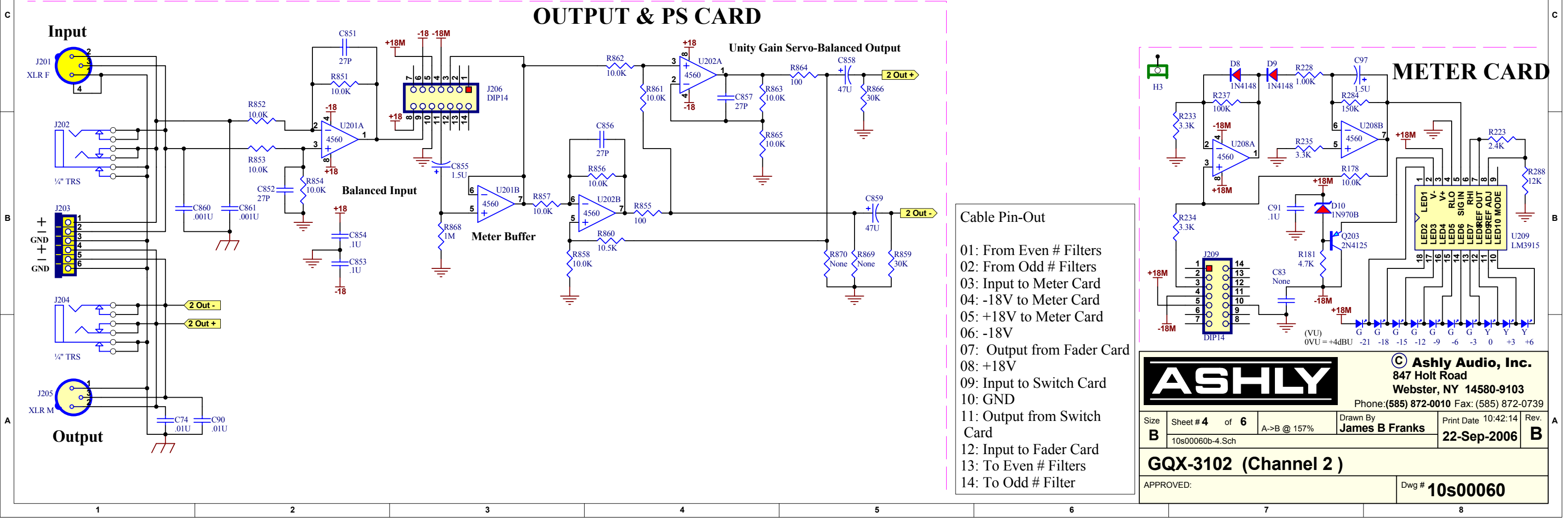
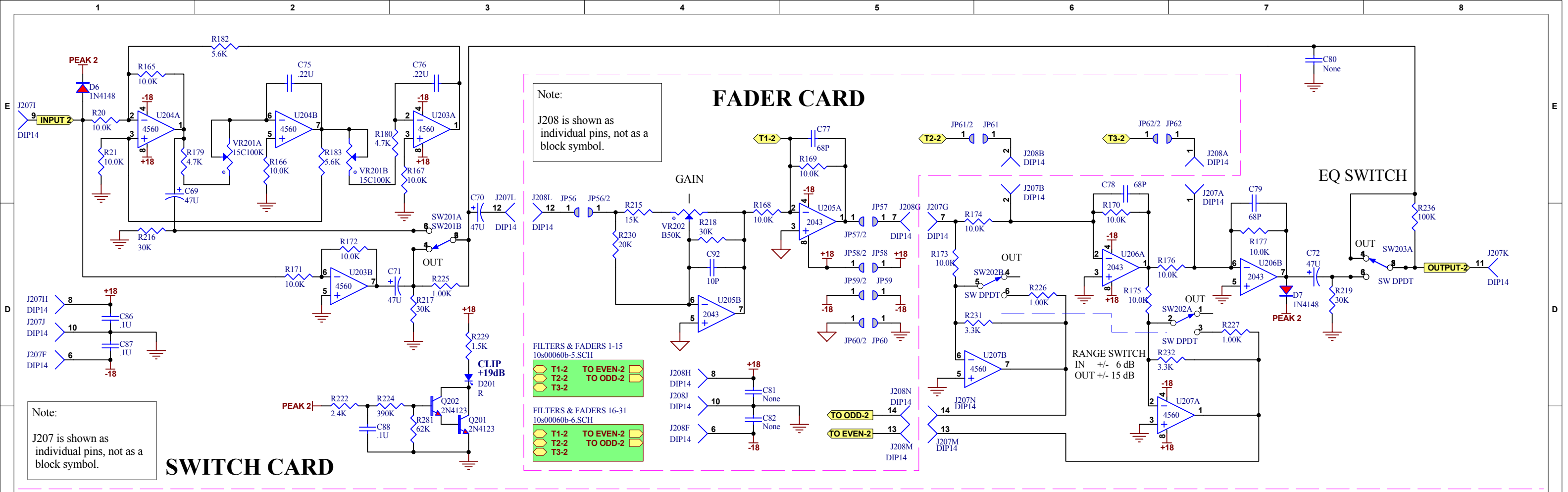


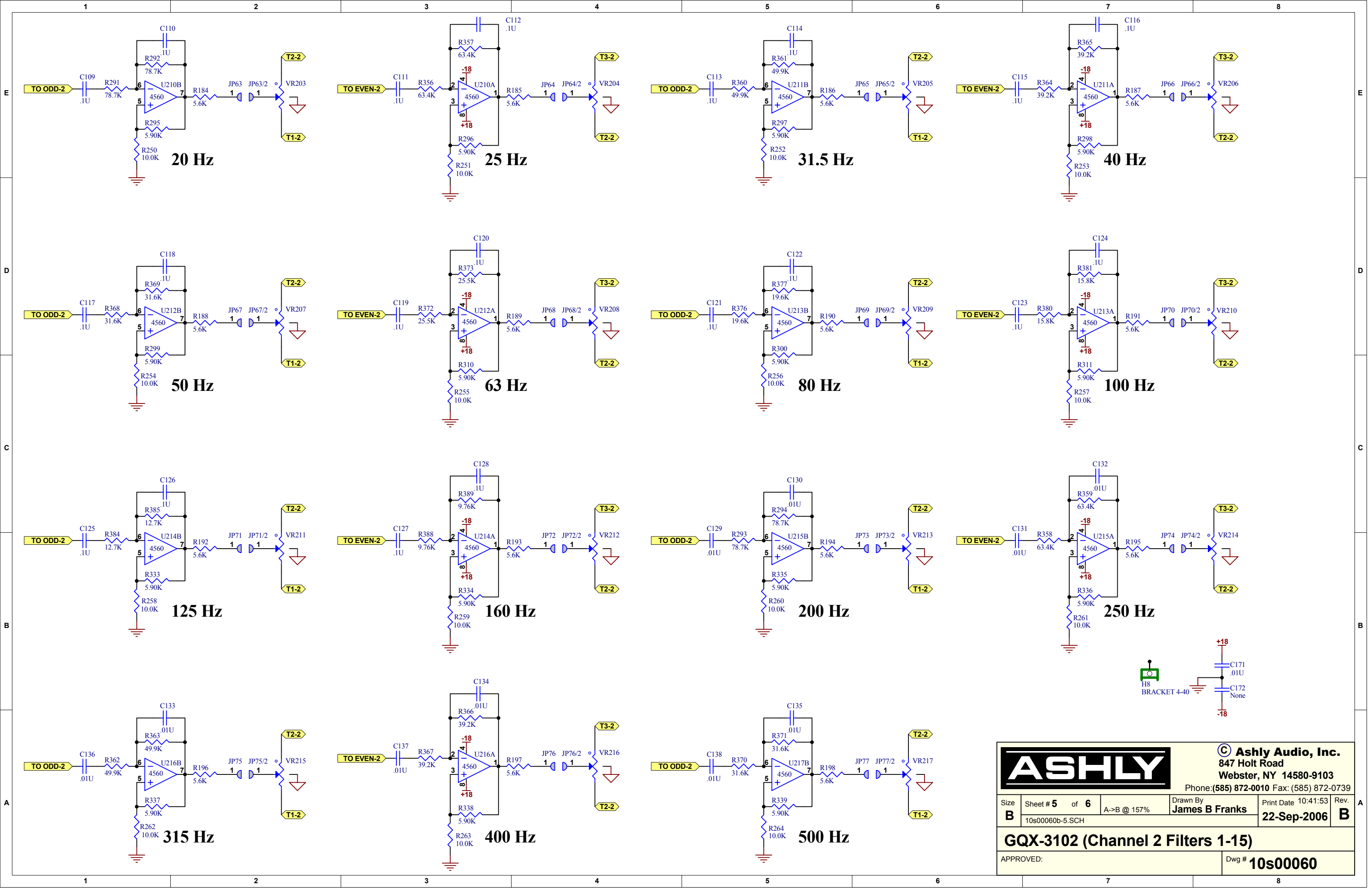
ASHLY		© Ashly Audio, Inc. 847 Holt Road Webster, NY 14580-9103 Phone: (585) 872-0010 Fax: (585) 872-0739		
		Size B	Sheet # 2 of 6 10s00060b-2.SCH	A->B @ 157%
APPROVED:		Print Date 10:42:59	Rev. B	22-Sep-2006
GQX-3102 (Channel 1 Filters 1-15)				Dwg # 10s00060



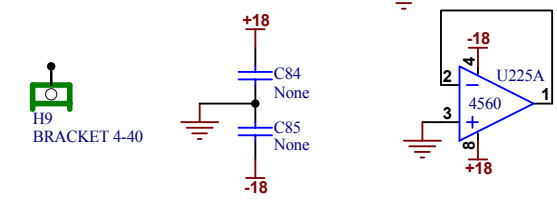
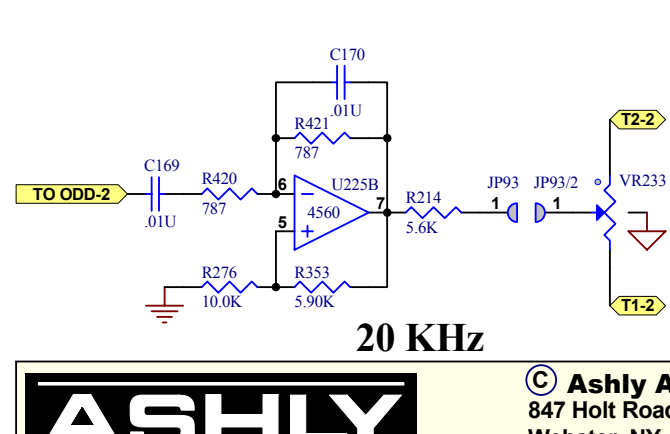
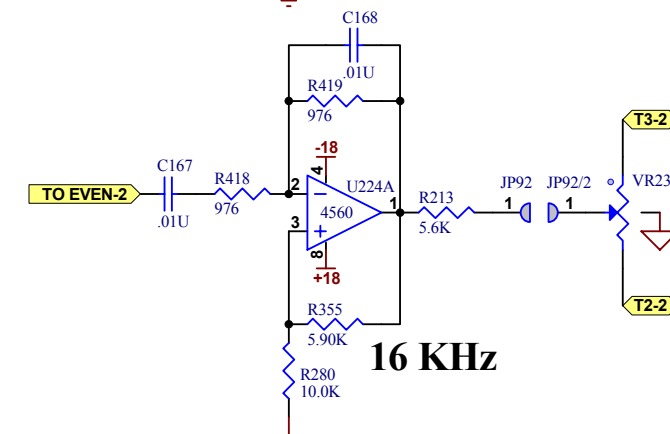
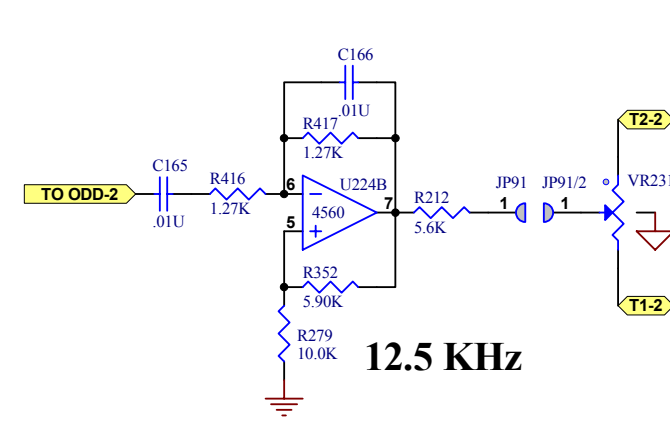
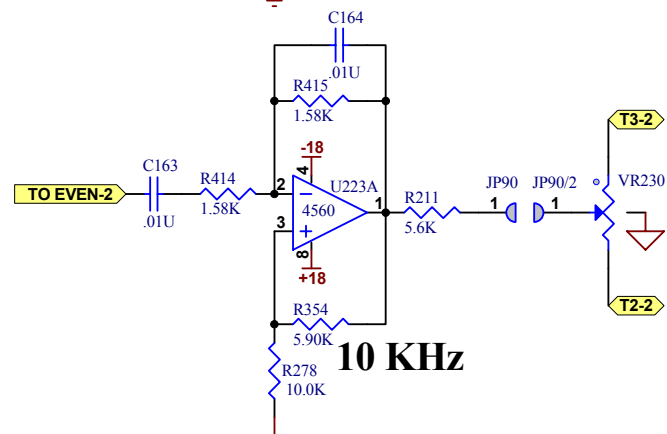
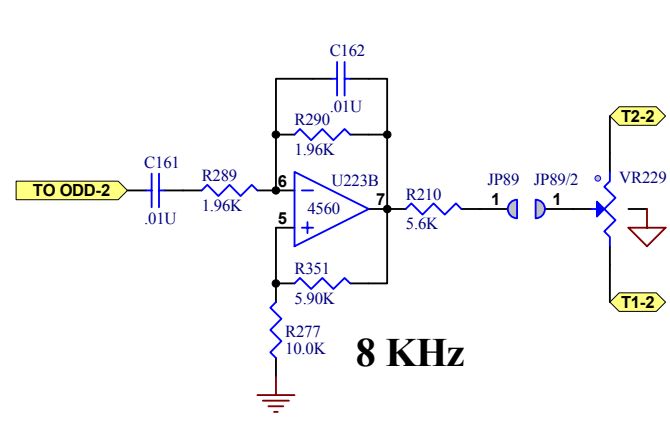
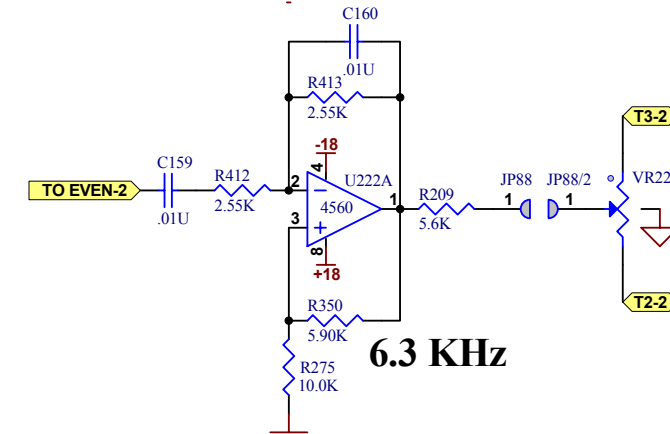
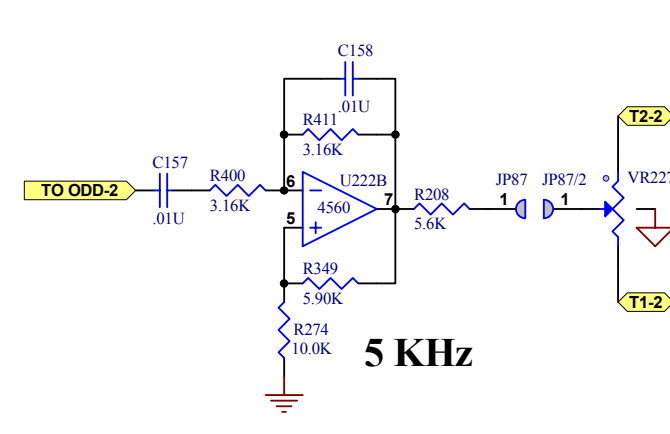
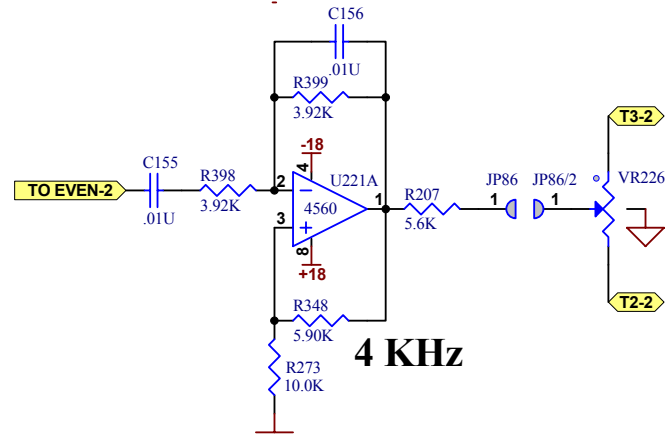
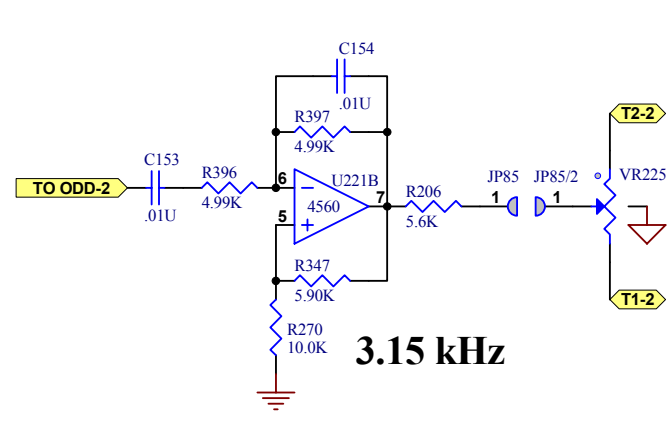
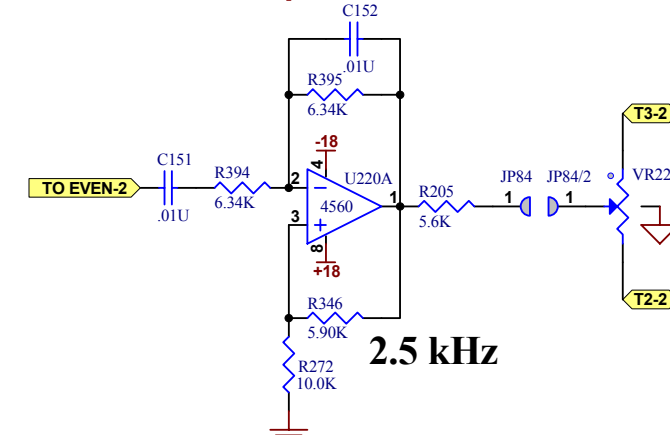
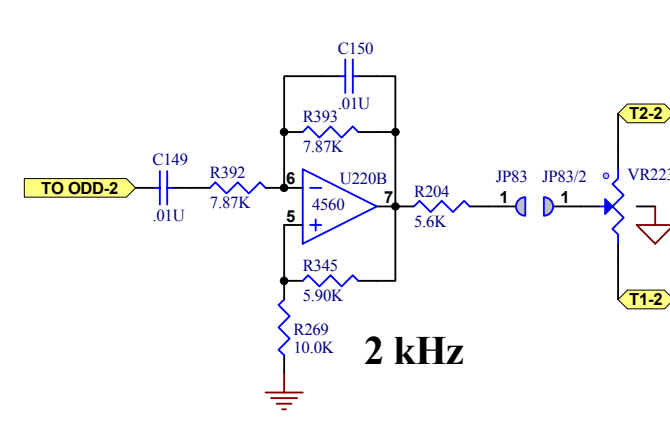
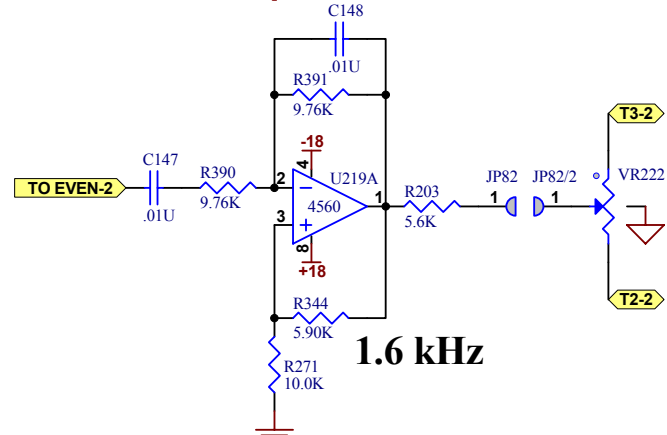
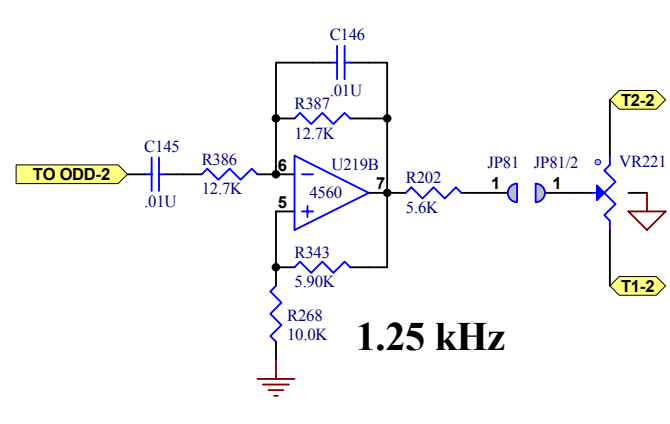
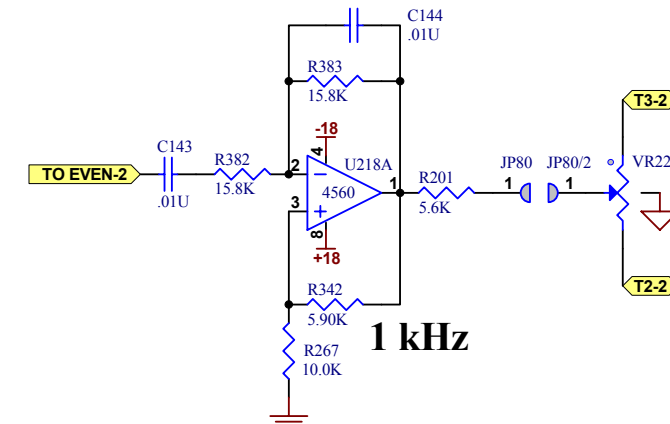
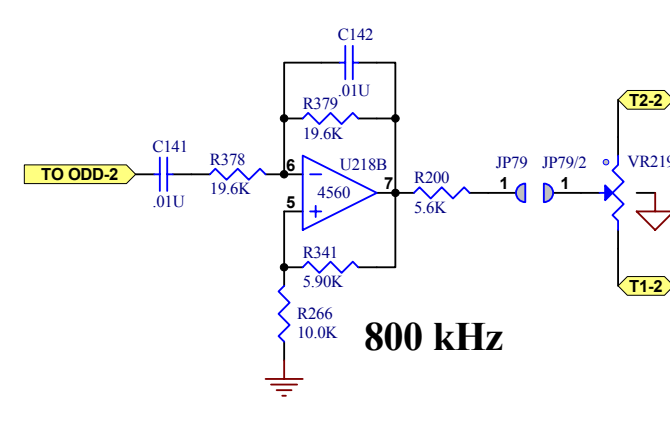
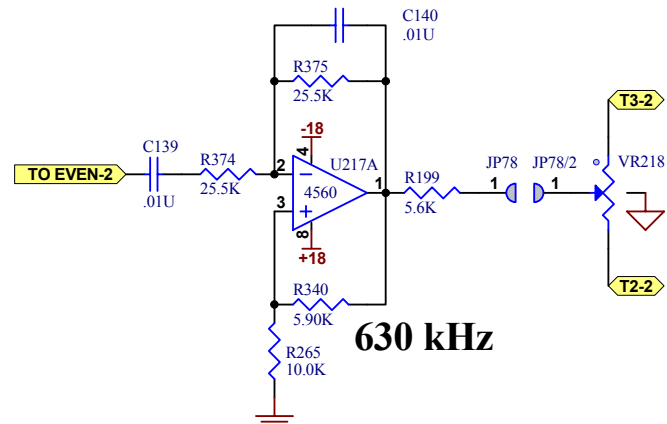
ASHLY © Ashly Audio, Inc.
847 Holt Road
Webster, NY 14580-9103
Phone: (585) 872-0010 Fax: (585) 872-0739

Size B	Sheet #3 of 6	A->B @ 157%	Drawn By James B Franks	Print Date 10:42:36	Rev. B
10s00060b-3.SCH			22-Sep-2006		
GQX-3102 (Channel 1 Filters 16-31)					
APPROVED:				Dwg # 10s00060	





		Ashly Audio, Inc. 847 Holt Road Webster, NY 14580-9103 Phone: (585) 872-0010 Fax: (585) 872-0739		
		Size B Sheet 5 of 6 10s00060b-5.SCH	A->B @ 157% Drawn By James B Franks	Print Date 10:41:53 22-Sep-2006
GQX-3102 (Channel 2 Filters 1-15)				APPROVED: _____ Dwg # 10s00060



ASHLY © Ashly Audio, Inc.
 847 Holt Road
 Webster, NY 14580-9103
 Phone: (585) 872-0010 Fax: (585) 872-0739

Size B	Sheet #6 of 6	A->B @ 157%	Drawn By James B Franks	Print Date 10:41:31	Rev. B
10s00060b-6.SCH			22-Sep-2006		
GQX-3102 (Channel 2 Filters 16-31)					
APPROVED:				Dwg # 10s00060	

10s00060 GQX-3102 Revision History

Rev	Date	DCN	PCB Rev	Description of Change
-----	------	-----	---------	-----------------------

A	05/23/06	XXX	0000	Analog Consolidation. Changed power supply to accomidate switching PS. Changed PCB numbering and repanelized.
B	09/12/06	XXX	0101	Changed filter capacitor locations for eaiser insertion. Added ouput filter capacitors. Added brackets to T-Assembly for eaiser construction.
B	01/16/07	794	0202	All changes to Filter&Fader PCB (o10p00060). Fixed top T-Pad locations. Added trailing edge solder dam section. Added 2nd Right Tooling Hole.

D

D

C

C

B

B

A

A

1

2

3

4

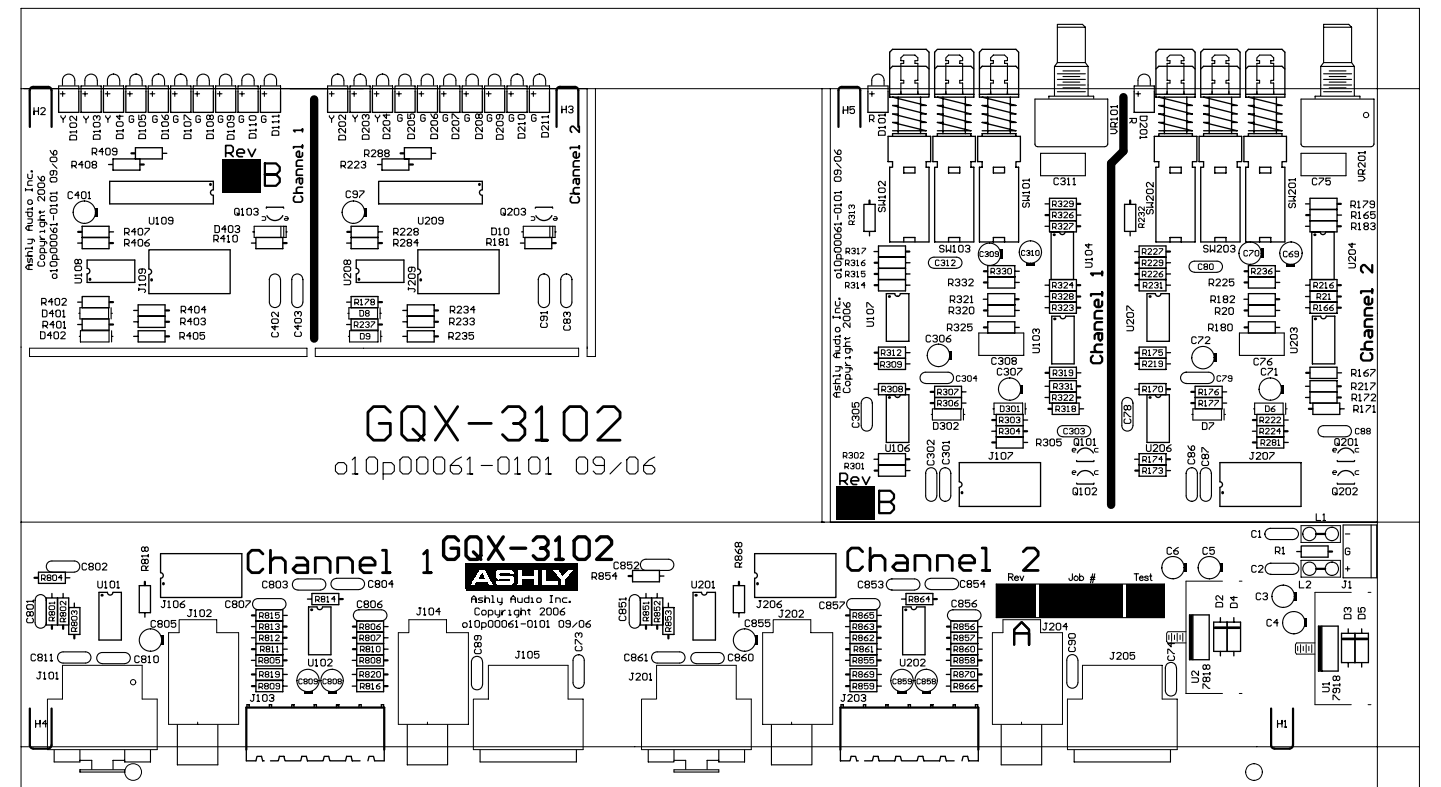
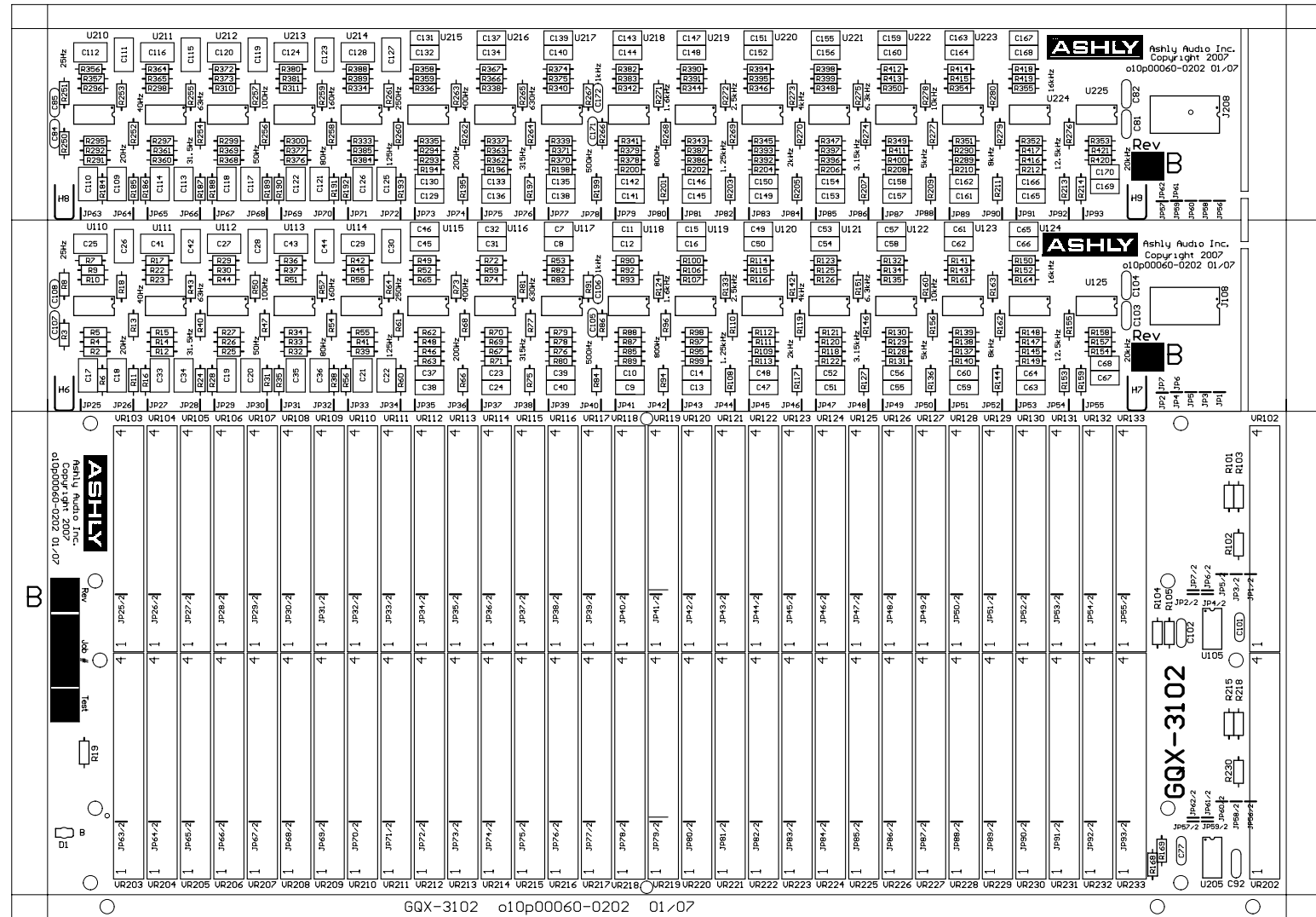
1

2

3

4

ASHLY AUDIO INC.		ASHLY	
TECHNICAL: Jim Frank	FILE: GQX-3102	Dual 31 Band Equalizer	
PHONE: 800-872-0000 x 137			
FAX: 800-872-0739			
PART NO: 010p00060 & 00061	REV: 2	DATE: 16-Jan-2007	
FILE NAME: 010p00060-0202b.PCB	LAYER: Bottom Overlay	GERBER: G80	



GQX-3102 Bill of Materials (Rev.B 00060 Version)

(Note: "None" parts are not listed)

Designator	Description	Stock Code	PCB
C1	.1 μ F 50V \pm 20% Ceramic-Z5U Radial	p05r00104	00061 PCB
C10	.01 μ F 100V \pm 2% Film-Polyester Radial	p05r00103	00060 PCB
C101	10pF 50V \pm 10% Ceramic-C0G(NP0) Disc	p01r00100	00060 PCB
C102	68pF 50V \pm 10% Ceramic-C0G(NP0) Disc	p01r00680	00060 PCB
C105	.01 μ F 50V \pm 20% Ceramic-Z5U Disc	p01r00103	00060 PCB
C109	.1 μ F 100V \pm 2% Film-Polyester Radial	p05r10104	00060 PCB
C11	.01 μ F 100V \pm 2% Film-Polyester Radial	p05r00103	00060 PCB
C110	.1 μ F 100V \pm 2% Film-Polyester Radial	p05r10104	00060 PCB
C111	.1 μ F 100V \pm 2% Film-Polyester Radial	p05r10104	00060 PCB
C112	.1 μ F 100V \pm 2% Film-Polyester Radial	p05r10104	00060 PCB
C113	.1 μ F 100V \pm 2% Film-Polyester Radial	p05r10104	00060 PCB
C114	.1 μ F 100V \pm 2% Film-Polyester Radial	p05r10104	00060 PCB
C115	.1 μ F 100V \pm 2% Film-Polyester Radial	p05r10104	00060 PCB
C116	.1 μ F 100V \pm 2% Film-Polyester Radial	p05r10104	00060 PCB
C117	.1 μ F 100V \pm 2% Film-Polyester Radial	p05r10104	00060 PCB
C118	.1 μ F 100V \pm 2% Film-Polyester Radial	p05r10104	00060 PCB
C119	.1 μ F 100V \pm 2% Film-Polyester Radial	p05r10104	00060 PCB
C12	.01 μ F 100V \pm 2% Film-Polyester Radial	p05r00103	00060 PCB
C120	.1 μ F 100V \pm 2% Film-Polyester Radial	p05r10104	00060 PCB
C121	.1 μ F 100V \pm 2% Film-Polyester Radial	p05r10104	00060 PCB
C122	.1 μ F 100V \pm 2% Film-Polyester Radial	p05r10104	00060 PCB
C123	.1 μ F 100V \pm 2% Film-Polyester Radial	p05r10104	00060 PCB
C124	.1 μ F 100V \pm 2% Film-Polyester Radial	p05r10104	00060 PCB
C125	.1 μ F 100V \pm 2% Film-Polyester Radial	p05r10104	00060 PCB
C126	.1 μ F 100V \pm 2% Film-Polyester Radial	p05r10104	00060 PCB
C127	.1 μ F 100V \pm 2% Film-Polyester Radial	p05r10104	00060 PCB
C128	.1 μ F 100V \pm 2% Film-Polyester Radial	p05r10104	00060 PCB
C129	.01 μ F 100V \pm 2% Film-Polyester Radial	p05r00103	00060 PCB
C13	.01 μ F 100V \pm 2% Film-Polyester Radial	p05r00103	00060 PCB
C130	.01 μ F 100V \pm 2% Film-Polyester Radial	p05r00103	00060 PCB
C131	.01 μ F 100V \pm 2% Film-Polyester Radial	p05r00103	00060 PCB
C132	.01 μ F 100V \pm 2% Film-Polyester Radial	p05r00103	00060 PCB
C133	.01 μ F 100V \pm 2% Film-Polyester Radial	p05r00103	00060 PCB
C134	.01 μ F 100V \pm 2% Film-Polyester Radial	p05r00103	00060 PCB

GQX-3102 Bill of Materials (Rev.B 00060 Version)

(Note: "None" parts are not listed)

Designator	Description	Stock Code	PCB
C135	.01µF 100V ±2% Film-Polyester Radial	p05r00103	00060 PCB
C136	.01µF 100V ±2% Film-Polyester Radial	p05r00103	00060 PCB
C137	.01µF 100V ±2% Film-Polyester Radial	p05r00103	00060 PCB
C138	.01µF 100V ±2% Film-Polyester Radial	p05r00103	00060 PCB
C139	.01µF 100V ±2% Film-Polyester Radial	p05r00103	00060 PCB
C14	.01µF 100V ±2% Film-Polyester Radial	p05r00103	00060 PCB
C140	.01µF 100V ±2% Film-Polyester Radial	p05r00103	00060 PCB
C141	.01µF 100V ±2% Film-Polyester Radial	p05r00103	00060 PCB
C142	.01µF 100V ±2% Film-Polyester Radial	p05r00103	00060 PCB
C143	.01µF 100V ±2% Film-Polyester Radial	p05r00103	00060 PCB
C144	.01µF 100V ±2% Film-Polyester Radial	p05r00103	00060 PCB
C145	.01µF 100V ±2% Film-Polyester Radial	p05r00103	00060 PCB
C146	.01µF 100V ±2% Film-Polyester Radial	p05r00103	00060 PCB
C147	.01µF 100V ±2% Film-Polyester Radial	p05r00103	00060 PCB
C148	.01µF 100V ±2% Film-Polyester Radial	p05r00103	00060 PCB
C149	.01µF 100V ±2% Film-Polyester Radial	p05r00103	00060 PCB
C15	.01µF 100V ±2% Film-Polyester Radial	p05r00103	00060 PCB
C150	.01µF 100V ±2% Film-Polyester Radial	p05r00103	00060 PCB
C151	.01µF 100V ±2% Film-Polyester Radial	p05r00103	00060 PCB
C152	.01µF 100V ±2% Film-Polyester Radial	p05r00103	00060 PCB
C153	.01µF 100V ±2% Film-Polyester Radial	p05r00103	00060 PCB
C154	.01µF 100V ±2% Film-Polyester Radial	p05r00103	00060 PCB
C155	.01µF 100V ±2% Film-Polyester Radial	p05r00103	00060 PCB
C156	.01µF 100V ±2% Film-Polyester Radial	p05r00103	00060 PCB
C157	.01µF 100V ±2% Film-Polyester Radial	p05r00103	00060 PCB
C158	.01µF 100V ±2% Film-Polyester Radial	p05r00103	00060 PCB
C159	.01µF 100V ±2% Film-Polyester Radial	p05r00103	00060 PCB
C16	.01µF 100V ±2% Film-Polyester Radial	p05r00103	00060 PCB
C160	.01µF 100V ±2% Film-Polyester Radial	p05r00103	00060 PCB
C161	.01µF 100V ±2% Film-Polyester Radial	p05r00103	00060 PCB
C162	.01µF 100V ±2% Film-Polyester Radial	p05r00103	00060 PCB
C163	.01µF 100V ±2% Film-Polyester Radial	p05r00103	00060 PCB
C164	.01µF 100V ±2% Film-Polyester Radial	p05r00103	00060 PCB
C165	.01µF 100V ±2% Film-Polyester Radial	p05r00103	00060 PCB

GQX-3102 Bill of Materials (Rev.B 00060 Version)

(Note: "None" parts are not listed)

Designator	Description	Stock Code	PCB
C166	.01µF 100V ±2% Film-Polyester Radial	p05r00103	00060 PCB
C167	.01µF 100V ±2% Film-Polyester Radial	p05r00103	00060 PCB
C168	.01µF 100V ±2% Film-Polyester Radial	p05r00103	00060 PCB
C169	.01µF 100V ±2% Film-Polyester Radial	p05r00103	00060 PCB
C17	.1µF 100V ±2% Film-Polyester Radial	p05r10104	00060 PCB
C170	.01µF 100V ±2% Film-Polyester Radial	p05r00103	00060 PCB
C171	.01µF 50V ±20% Ceramic-Z5U Disc	p01r00103	00060 PCB
C18	.1µF 100V ±2% Film-Polyester Radial	p05r10104	00060 PCB
C19	.1µF 100V ±2% Film-Polyester Radial	p05r10104	00060 PCB
C2	.1µF 50V ±20% Ceramic-Z5U Radial	p05r00104	00061 PCB
C20	.1µF 100V ±2% Film-Polyester Radial	p05r10104	00060 PCB
C21	.1µF 100V ±2% Film-Polyester Radial	p05r10104	00060 PCB
C22	.1µF 100V ±2% Film-Polyester Radial	p05r10104	00060 PCB
C23	.01µF 100V ±2% Film-Polyester Radial	p05r00103	00060 PCB
C24	.01µF 100V ±2% Film-Polyester Radial	p05r00103	00060 PCB
C25	.1µF 100V ±2% Film-Polyester Radial	p05r10104	00060 PCB
C26	.1µF 100V ±2% Film-Polyester Radial	p05r10104	00060 PCB
C27	.1µF 100V ±2% Film-Polyester Radial	p05r10104	00060 PCB
C28	.1µF 100V ±2% Film-Polyester Radial	p05r10104	00060 PCB
C29	.1µF 100V ±2% Film-Polyester Radial	p05r10104	00060 PCB
C3	10µF 50V ±20% Electrolytic Radial	p15r00106	00061 PCB
C30	.1µF 100V ±2% Film-Polyester Radial	p05r10104	00060 PCB
C301	.1µF 50V ±20% Ceramic-Z5U Radial	p05r00104	00061 PCB
C302	.1µF 50V ±20% Ceramic-Z5U Radial	p05r00104	00061 PCB
C303	.1µF 50V ±20% Ceramic-Z5U Radial	p05r00104	00061 PCB
C304	68pF 50V ±10% Ceramic-C0G(NP0) Disc	p01r00680	00061 PCB
C305	68pF 50V ±10% Ceramic-C0G(NP0) Disc	p01r00680	00061 PCB
C306	47µF 16V ±20% Electrolytic Radial	p15r00476	00061 PCB
C307	47µF 16V ±20% Electrolytic Radial	p15r00476	00061 PCB
C308	.22µF 50V ±5% Film-Polyester Radial	p05r10224	00061 PCB
C309	47µF 16V ±20% Electrolytic Radial	p15r00476	00061 PCB
C31	.01µF 100V ±2% Film-Polyester Radial	p05r00103	00060 PCB
C310	47µF 16V ±20% Electrolytic Radial	p15r00476	00061 PCB
C311	.22µF 50V ±5% Film-Polyester Radial	p05r10224	00061 PCB

GQX-3102 Bill of Materials (Rev.B 00060 Version)

(Note: "None" parts are not listed)

Designator	Description	Stock Code	PCB
C32	.01µF 100V ±2% Film-Polyester Radial	p05r00103	00060 PCB
C33	.1µF 100V ±2% Film-Polyester Radial	p05r10104	00060 PCB
C34	.1µF 100V ±2% Film-Polyester Radial	p05r10104	00060 PCB
C35	.1µF 100V ±2% Film-Polyester Radial	p05r10104	00060 PCB
C36	.1µF 100V ±2% Film-Polyester Radial	p05r10104	00060 PCB
C37	.01µF 100V ±2% Film-Polyester Radial	p05r00103	00060 PCB
C38	.01µF 100V ±2% Film-Polyester Radial	p05r00103	00060 PCB
C39	.01µF 100V ±2% Film-Polyester Radial	p05r00103	00060 PCB
C4	10µF 50V ±20% Electrolytic Radial	p15r00106	00061 PCB
C40	.01µF 100V ±2% Film-Polyester Radial	p05r00103	00060 PCB
C401	1.5µF 50V ±20% Electrolytic Radial	p15r00155	00061 PCB
C402	.1µF 50V ±20% Ceramic-Z5U Radial	p05r00104	00061 PCB
C41	.1µF 100V ±2% Film-Polyester Radial	p05r10104	00060 PCB
C42	.1µF 100V ±2% Film-Polyester Radial	p05r10104	00060 PCB
C43	.1µF 100V ±2% Film-Polyester Radial	p05r10104	00060 PCB
C44	.1µF 100V ±2% Film-Polyester Radial	p05r10104	00060 PCB
C45	.01µF 100V ±2% Film-Polyester Radial	p05r00103	00060 PCB
C46	.01µF 100V ±2% Film-Polyester Radial	p05r00103	00060 PCB
C47	.01µF 100V ±2% Film-Polyester Radial	p05r00103	00060 PCB
C48	.01µF 100V ±2% Film-Polyester Radial	p05r00103	00060 PCB
C49	.01µF 100V ±2% Film-Polyester Radial	p05r00103	00060 PCB
C5	1.5µF 50V ±20% Electrolytic Radial	p15r00155	00061 PCB
C50	.01µF 100V ±2% Film-Polyester Radial	p05r00103	00060 PCB
C51	.01µF 100V ±2% Film-Polyester Radial	p05r00103	00060 PCB
C52	.01µF 100V ±2% Film-Polyester Radial	p05r00103	00060 PCB
C53	.01µF 100V ±2% Film-Polyester Radial	p05r00103	00060 PCB
C54	.01µF 100V ±2% Film-Polyester Radial	p05r00103	00060 PCB
C55	.01µF 100V ±2% Film-Polyester Radial	p05r00103	00060 PCB
C56	.01µF 100V ±2% Film-Polyester Radial	p05r00103	00060 PCB
C57	.01µF 100V ±2% Film-Polyester Radial	p05r00103	00060 PCB
C58	.01µF 100V ±2% Film-Polyester Radial	p05r00103	00060 PCB
C59	.01µF 100V ±2% Film-Polyester Radial	p05r00103	00060 PCB
C6	1.5µF 50V ±20% Electrolytic Radial	p15r00155	00061 PCB
C60	.01µF 100V ±2% Film-Polyester Radial	p05r00103	00060 PCB

GQX-3102 Bill of Materials (Rev.B 00060 Version)

(Note: "None" parts are not listed)

Designator	Description	Stock Code	PCB
C61	.01µF 100V ±2% Film-Polyester Radial	p05r00103	00060 PCB
C62	.01µF 100V ±2% Film-Polyester Radial	p05r00103	00060 PCB
C63	.01µF 100V ±2% Film-Polyester Radial	p05r00103	00060 PCB
C64	.01µF 100V ±2% Film-Polyester Radial	p05r00103	00060 PCB
C65	.01µF 100V ±2% Film-Polyester Radial	p05r00103	00060 PCB
C66	.01µF 100V ±2% Film-Polyester Radial	p05r00103	00060 PCB
C67	.01µF 100V ±2% Film-Polyester Radial	p05r00103	00060 PCB
C68	.01µF 100V ±2% Film-Polyester Radial	p05r00103	00060 PCB
C69	47µF 16V ±20% Electrolytic Radial	p15r00476	00061 PCB
C7	.01µF 100V ±2% Film-Polyester Radial	p05r00103	00060 PCB
C70	47µF 16V ±20% Electrolytic Radial	p15r00476	00061 PCB
C71	47µF 16V ±20% Electrolytic Radial	p15r00476	00061 PCB
C72	47µF 16V ±20% Electrolytic Radial	p15r00476	00061 PCB
C73	.01µF 50V ±20% Ceramic-Z5U Disc	p01r00103	00061 PCB
C74	.01µF 50V ±20% Ceramic-Z5U Disc	p01r00103	00061 PCB
C75	.22µF 50V ±5% Film-Polyester Radial	p05r10224	00061 PCB
C76	.22µF 50V ±5% Film-Polyester Radial	p05r10224	00061 PCB
C77	68pF 50V ±10% Ceramic-C0G(NP0) Disc	p01r00680	00060 PCB
C78	68pF 50V ±10% Ceramic-C0G(NP0) Disc	p01r00680	00061 PCB
C79	68pF 50V ±10% Ceramic-C0G(NP0) Disc	p01r00680	00061 PCB
C8	.01µF 100V ±2% Film-Polyester Radial	p05r00103	00060 PCB
C801	27pF 50V ±10% Ceramic-C0G(NP0) Disc	p01r00270	00061 PCB
C802	27pF 50V ±10% Ceramic-C0G(NP0) Disc	p01r00270	00061 PCB
C803	.1µF 50V ±20% Ceramic-Z5U Radial	p05r00104	00061 PCB
C804	.1µF 50V ±20% Ceramic-Z5U Radial	p05r00104	00061 PCB
C805	1.5µF 50V ±20% Electrolytic Radial	p15r00155	00061 PCB
C806	27pF 50V ±10% Ceramic-C0G(NP0) Disc	p01r00270	00061 PCB
C807	27pF 50V ±10% Ceramic-C0G(NP0) Disc	p01r00270	00061 PCB
C808	47µF 16V ±20% Electrolytic Radial	p15r00476	00061 PCB
C809	47µF 16V ±20% Electrolytic Radial	p15r00476	00061 PCB
C810	.001µF 50V ±10% Ceramic-Y5P Disc	p01r00102	00061 PCB
C811	.001µF 50V ±10% Ceramic-Y5P Disc	p01r00102	00061 PCB
C851	27pF 50V ±10% Ceramic-C0G(NP0) Disc	p01r00270	00061 PCB
C852	27pF 50V ±10% Ceramic-C0G(NP0) Disc	p01r00270	00061 PCB

GQX-3102 Bill of Materials (Rev.B 00060 Version)

(Note: "None" parts are not listed)

Designator	Description	Stock Code	PCB
C853	.1 μ F 50V \pm 20% Ceramic-Z5U Radial	p05r00104	00061 PCB
C854	.1 μ F 50V \pm 20% Ceramic-Z5U Radial	p05r00104	00061 PCB
C855	1.5 μ F 50V \pm 20% Electrolytic Radial	p15r00155	00061 PCB
C856	27pF 50V \pm 10% Ceramic-C0G(NP0) Disc	p01r00270	00061 PCB
C857	27pF 50V \pm 10% Ceramic-C0G(NP0) Disc	p01r00270	00061 PCB
C858	47 μ F 16V \pm 20% Electrolytic Radial	p15r00476	00061 PCB
C859	47 μ F 16V \pm 20% Electrolytic Radial	p15r00476	00061 PCB
C86	.1 μ F 50V \pm 20% Ceramic-Z5U Radial	p05r00104	00061 PCB
C860	.001 μ F 50V \pm 10% Ceramic-Y5P Disc	p01r00102	00061 PCB
C861	.001 μ F 50V \pm 10% Ceramic-Y5P Disc	p01r00102	00061 PCB
C87	.1 μ F 50V \pm 20% Ceramic-Z5U Radial	p05r00104	00061 PCB
C88	.1 μ F 50V \pm 20% Ceramic-Z5U Radial	p05r00104	00061 PCB
C89	.01 μ F 50V \pm 20% Ceramic-Z5U Disc	p01r00103	00061 PCB
C9	.01 μ F 100V \pm 2% Film-Polyester Radial	p05r00103	00060 PCB
C90	.01 μ F 50V \pm 20% Ceramic-Z5U Disc	p01r00103	00061 PCB
C91	.1 μ F 50V \pm 20% Ceramic-Z5U Radial	p05r00104	00061 PCB
C92	10pF 50V \pm 10% Ceramic-C0G(NP0) Disc	p01r00100	00060 PCB
C97	1.5 μ F 50V \pm 20% Electrolytic Radial	p15r00155	00061 PCB
D1	LED T1 Through Hole Diffused Blue Radial	r30d02061	00060 PCB
D10	24V Zener (33 Ohms @ 5.2mA) 500mW DO-35 1N970B	r33e00970	00061 PCB
D101	LED T1 Through-Hole Diffused Red 625nm Radial	r30a05474	00061 PCB
D102	LED T1 Through Hole Diffused Yellow 590nm Radial	r30c05374	00061 PCB
D103	LED T1 Through Hole Diffused Yellow 590nm Radial	r30c05374	00061 PCB
D104	LED T1 Through Hole Diffused Yellow 590nm Radial	r30c05374	00061 PCB
D105	LED T1 Through Hole Diffused Green 565nm Radial	r30b05274	00061 PCB
D106	LED T1 Through Hole Diffused Green 565nm Radial	r30b05274	00061 PCB
D107	LED T1 Through Hole Diffused Green 565nm Radial	r30b05274	00061 PCB
D108	LED T1 Through Hole Diffused Green 565nm Radial	r30b05274	00061 PCB
D109	LED T1 Through Hole Diffused Green 565nm Radial	r30b05274	00061 PCB
D110	LED T1 Through Hole Diffused Green 565nm Radial	r30b05274	00061 PCB
D111	LED T1 Through Hole Diffused Green 565nm Radial	r30b05274	00061 PCB
D2	400V Silicon 1A DO-41 1N4004	r33a04004	00061 PCB
D201	LED T1 Through-Hole Diffused Red 625nm Radial	r30a05474	00061 PCB
D202	LED T1 Through Hole Diffused Yellow 590nm Radial	r30c05374	00061 PCB

GQX-3102 Bill of Materials (Rev.B 00060 Version)

(Note: "None" parts are not listed)

Designator	Description	Stock Code	PCB
D203	LED T1 Through Hole Diffused Yellow 590nm Radial	r30c05374	00061 PCB
D204	LED T1 Through Hole Diffused Yellow 590nm Radial	r30c05374	00061 PCB
D205	LED T1 Through Hole Diffused Green 565nm Radial	r30b05274	00061 PCB
D206	LED T1 Through Hole Diffused Green 565nm Radial	r30b05274	00061 PCB
D207	LED T1 Through Hole Diffused Green 565nm Radial	r30b05274	00061 PCB
D208	LED T1 Through Hole Diffused Green 565nm Radial	r30b05274	00061 PCB
D209	LED T1 Through Hole Diffused Green 565nm Radial	r30b05274	00061 PCB
D210	LED T1 Through Hole Diffused Green 565nm Radial	r30b05274	00061 PCB
D211	LED T1 Through Hole Diffused Green 565nm Radial	r30b05274	00061 PCB
D3	400V Silicon 1A DO-41 1N4004	r33a04004	00061 PCB
D301	100V Signal 200mA 500mW DO-35 1N4148 AX .30	r33d04148	00061 PCB
D302	100V Signal 200mA 500mW DO-35 1N4148 AX .30	r33d04148	00061 PCB
D4	400V Silicon 1A DO-41 1N4004	r33a04004	00061 PCB
D401	100V Signal 200mA 500mW DO-35 1N4148 AX .30	r33d04148	00061 PCB
D402	100V Signal 200mA 500mW DO-35 1N4148 AX .30	r33d04148	00061 PCB
D403	24V Zener (33 Ohms @ 5.2mA) 500mW DO-35 1N970B	r33e00970	00061 PCB
D5	400V Silicon 1A DO-41 1N4004	r33a04004	00061 PCB
D6	100V Signal 200mA 500mW DO-35 1N4148 AX .30	r33d04148	00061 PCB
D7	100V Signal 200mA 500mW DO-35 1N4148 AX .30	r33d04148	00061 PCB
D8	100V Signal 200mA 500mW DO-35 1N4148 AX .30	r33d04148	00061 PCB
D9	100V Signal 200mA 500mW DO-35 1N4148 AX .30	r33d04148	00061 PCB
H1	Right Angle Bracket PC Mount Snap-In 4/40	h25a04400	00061 PCB
H2	Right Angle Bracket PC Mount Snap-In 4/40	h25a04400	00061 PCB
H3	Right Angle Bracket PC Mount Snap-In 4/40	h25a04400	00061 PCB
H4	Right Angle Bracket PC Mount Snap-In 4/40	h25a04400	00061 PCB
H5	Right Angle Bracket PC Mount Snap-In 4/40	h25a04400	00061 PCB
H6	Right Angle Bracket PC Mount Snap-In 4/40	h25a04400	00060 PCB
H7	Right Angle Bracket PC Mount Snap-In 4/40	h25a04400	00060 PCB
H8	Right Angle Bracket PC Mount Snap-In 4/40	h25a04400	00060 PCB
H9	Right Angle Bracket PC Mount Snap-In 4/40	h25a04400	00060 PCB
HS1	Heat Sink TO-220 PC Mount Wakefield #287-1ABH	h30n01511	00061 PCB
HS2	Heat Sink TO-220 PC Mount Wakefield #287-1ABH	h30n01511	00061 PCB
J1	1x3 Male Straight Post Header PC Mount @.156" w Lock Ramp AMP 640445-3	s71p14453	00061 PCB
J101	XLR Female Right Angle + Lock Tab + Separate Chassis Ground NEUTRIK NC3FAH2	s10p41300	00061 PCB

GQX-3102 Bill of Materials (Rev.B 00060 Version)

(Note: "None" parts are not listed)

Designator	Description	Stock Code	PCB
J102	1/4" TRS Jack Right Angle Half Threaded Bushing NEUTRIK NRJ6HH	s12p43151	00061 PCB
J103	Euro-Block Male PC Mount Right Angle 6 Position OST EDSTLZ950/6	s18p22106	00061 PCB
J104	1/4" TRS Jack Right Angle Half Threaded Bushing NEUTRIK NRJ6HH	s12p43151	00061 PCB
J105	XLR Male Right Angle NEUTRIK NC3MAH	s10p21030	00061 PCB
J106	IC Socket 14 Pin DIP .30" Wide	s60p01100	00061 PCB
J107	IC Socket 14 Pin DIP .30" Wide	s60p01100	00061 PCB
J108	IC Socket 14 Pin DIP .30" Wide	s60p01100	00060 PCB
J109	IC Socket 14 Pin DIP .30" Wide	s60p01100	00061 PCB
J201	XLR Female Right Angle + Lock Tab + Separate Chassis Ground NEUTRIK NC3FAH2	s10p41300	00061 PCB
J202	1/4" TRS Jack Right Angle Half Threaded Bushing NEUTRIK NRJ6HH	s12p43151	00061 PCB
J203	Euro-Block Male PC Mount Right Angle 6 Position OST EDSTLZ950/6	s18p22106	00061 PCB
J204	1/4" TRS Jack Right Angle Half Threaded Bushing NEUTRIK NRJ6HH	s12p43151	00061 PCB
J205	XLR Male Right Angle NEUTRIK NC3MAH	s10p21030	00061 PCB
J206	IC Socket 14 Pin DIP .30" Wide	s60p01100	00061 PCB
J207	IC Socket 14 Pin DIP .30" Wide	s60p01100	00061 PCB
J208	IC Socket 14 Pin DIP .30" Wide	s60p01100	00060 PCB
J209	IC Socket 14 Pin DIP .30" Wide	s60p01100	00061 PCB
L1	Ferrite Bead Radial 5mm >100 ohm @1MHz	p84a00006	00061 PCB
L2	Ferrite Bead Radial 5mm >100 ohm @1MHz	p84a00006	00061 PCB
Q101	2N4123 30V 200mA NPN General Purpose Amplifier TO-92	r34a04123	00061 PCB
Q102	2N4123 30V 200mA NPN General Purpose Amplifier TO-92	r34a04123	00061 PCB
Q103	2N4125 30V 200mA PNP General Purpose Amplifier TO-92	r34c04125	00061 PCB
Q201	2N4123 30V 200mA NPN General Purpose Amplifier TO-92	r34a04123	00061 PCB
Q202	2N4123 30V 200mA NPN General Purpose Amplifier TO-92	r34a04123	00061 PCB
Q203	2N4125 30V 200mA PNP General Purpose Amplifier TO-92	r34c04125	00061 PCB
R1	100 Ohm 1/4W ±5% Carbon Film	p43a00101	00061 PCB
R10	5.90K 1/4W ±1% Metal Film	p39a05901	00060 PCB
R100	9.76K 1/4W ±1% Metal Film	p39a09761	00060 PCB
R101	15K 1/4W ±5% Carbon Film	p43a00153	00060 PCB
R102	20K 1/4W ±5% Carbon Film	p43a00203	00060 PCB
R103	30K 1/4W ±5% Carbon Film	p43a00303	00060 PCB
R104	10.0K 1/4W ±1% Metal Film	p39a01002	00060 PCB
R105	10.0K 1/4W ±1% Metal Film	p39a01002	00060 PCB
R106	9.76K 1/4W ±1% Metal Film	p39a09761	00060 PCB

GQX-3102 Bill of Materials (Rev.B 00060 Version)

(Note: "None" parts are not listed)

Designator	Description	Stock Code	PCB
R107	5.90K ¼W ±1% Metal Film	p39a05901	00060 PCB
R108	5.6K ¼W ±5% Carbon Film	p43a00562	00060 PCB
R109	7.87K ¼W ±1% Metal Film	p39a07871	00060 PCB
R11	5.6K ¼W ±5% Carbon Film	p43a00562	00060 PCB
R110	10.0K ¼W ±1% Metal Film	p39a01002	00060 PCB
R111	7.87K ¼W ±1% Metal Film	p39a07871	00060 PCB
R112	5.90K ¼W ±1% Metal Film	p39a05901	00060 PCB
R113	5.6K ¼W ±5% Carbon Film	p43a00562	00060 PCB
R114	6.34K ¼W ±1% Metal Film	p39a06341	00060 PCB
R115	6.34K ¼W ±1% Metal Film	p39a06341	00060 PCB
R116	5.90K ¼W ±1% Metal Film	p39a05901	00060 PCB
R117	5.6K ¼W ±5% Carbon Film	p43a00562	00060 PCB
R118	4.99K ¼W ±1% Metal Film	p39a04991	00060 PCB
R119	10.0K ¼W ±1% Metal Film	p39a01002	00060 PCB
R12	49.9K ¼W ±1% Metal Film	p39a04992	00060 PCB
R120	4.99K ¼W ±1% Metal Film	p39a04991	00060 PCB
R121	5.90K ¼W ±1% Metal Film	p39a05901	00060 PCB
R122	5.6K ¼W ±5% Carbon Film	p43a00562	00060 PCB
R123	3.92K ¼W ±1% Metal Film	p39a03921	00060 PCB
R124	10.0K ¼W ±1% Metal Film	p39a01002	00060 PCB
R125	3.92K ¼W ±1% Metal Film	p39a03921	00060 PCB
R126	5.90K ¼W ±1% Metal Film	p39a05901	00060 PCB
R127	5.6K ¼W ±5% Carbon Film	p43a00562	00060 PCB
R128	3.16K ¼W ±1% Metal Film	p39a03161	00060 PCB
R129	3.16K ¼W ±1% Metal Film	p39a03161	00060 PCB
R13	10.0K ¼W ±1% Metal Film	p39a01002	00060 PCB
R130	5.90K ¼W ±1% Metal Film	p39a05901	00060 PCB
R131	5.6K ¼W ±5% Carbon Film	p43a00562	00060 PCB
R132	2.55K ¼W ±1% Metal Film	p39a02551	00060 PCB
R133	10.0K ¼W ±1% Metal Film	p39a01002	00060 PCB
R134	2.55K ¼W ±1% Metal Film	p39a02551	00060 PCB
R135	5.90K ¼W ±1% Metal Film	p39a05901	00060 PCB
R136	5.6K ¼W ±5% Carbon Film	p43a00562	00060 PCB
R137	1.96K ¼W ±1% Metal Film	p39a01961	00060 PCB

GQX-3102 Bill of Materials (Rev.B 00060 Version)

(Note: "None" parts are not listed)

Designator	Description	Stock Code	PCB
R138	1.96K ¼W ±1% Metal Film	p39a01961	00060 PCB
R139	5.90K ¼W ±1% Metal Film	p39a05901	00060 PCB
R14	49.9K ¼W ±1% Metal Film	p39a04992	00060 PCB
R140	5.6K ¼W ±5% Carbon Film	p43a00562	00060 PCB
R141	1.58K ¼W ±1% Metal Film	p39a01581	00060 PCB
R142	10.0K ¼W ±1% Metal Film	p39a01002	00060 PCB
R143	1.58K ¼W ±1% Metal Film	p39a01581	00060 PCB
R144	5.6K ¼W ±5% Carbon Film	p43a00562	00060 PCB
R145	1.27K ¼W ±1% Metal Film	p39a01271	00060 PCB
R146	10.0K ¼W ±1% Metal Film	p39a01002	00060 PCB
R147	1.27K ¼W ±1% Metal Film	p39a01271	00060 PCB
R148	5.90K ¼W ±1% Metal Film	p39a05901	00060 PCB
R149	5.6K ¼W ±5% Carbon Film	p43a00562	00060 PCB
R15	5.90K ¼W ±1% Metal Film	p39a05901	00060 PCB
R150	976 Ohm ¼W ±1% Metal Film	p39a09760	00060 PCB
R151	10.0K ¼W ±1% Metal Film	p39a01002	00060 PCB
R152	976 Ohm ¼W ±1% Metal Film	p39a09760	00060 PCB
R153	5.6K ¼W ±5% Carbon Film	p43a00562	00060 PCB
R154	787 Ohm ¼W ±1% Metal Film	p39a07870	00060 PCB
R155	10.0K ¼W ±1% Metal Film	p39a01002	00060 PCB
R156	10.0K ¼W ±1% Metal Film	p39a01002	00060 PCB
R157	787 Ohm ¼W ±1% Metal Film	p39a07870	00060 PCB
R158	5.90K ¼W ±1% Metal Film	p39a05901	00060 PCB
R159	5.6K ¼W ±5% Carbon Film	p43a00562	00060 PCB
R16	5.6K ¼W ±5% Carbon Film	p43a00562	00060 PCB
R160	10.0K ¼W ±1% Metal Film	p39a01002	00060 PCB
R161	5.90K ¼W ±1% Metal Film	p39a05901	00060 PCB
R162	10.0K ¼W ±1% Metal Film	p39a01002	00060 PCB
R163	10.0K ¼W ±1% Metal Film	p39a01002	00060 PCB
R164	5.90K ¼W ±1% Metal Film	p39a05901	00060 PCB
R165	10.0K ¼W ±1% Metal Film	p39a01002	00061 PCB
R166	10.0K ¼W ±1% Metal Film	p39a01002	00061 PCB
R167	10.0K ¼W ±1% Metal Film	p39a01002	00061 PCB
R168	10.0K ¼W ±1% Metal Film	p39a01002	00060 PCB

GQX-3102 Bill of Materials (Rev.B 00060 Version)

(Note: "None" parts are not listed)

Designator	Description	Stock Code	PCB
R169	10.0K ¼W ±1% Metal Film	p39a01002	00060 PCB
R17	39.2K ¼W ±1% Metal Film	p39a03922	00060 PCB
R170	10.0K ¼W ±1% Metal Film	p39a01002	00061 PCB
R171	10.0K ¼W ±1% Metal Film	p39a01002	00061 PCB
R172	10.0K ¼W ±1% Metal Film	p39a01002	00061 PCB
R173	10.0K ¼W ±1% Metal Film	p39a01002	00061 PCB
R174	10.0K ¼W ±1% Metal Film	p39a01002	00061 PCB
R175	10.0K ¼W ±1% Metal Film	p39a01002	00061 PCB
R176	10.0K ¼W ±1% Metal Film	p39a01002	00061 PCB
R177	10.0K ¼W ±1% Metal Film	p39a01002	00061 PCB
R178	10.0K ¼W ±1% Metal Film	p39a01002	00061 PCB
R179	4.7K ¼W ±5% Carbon Film	p43a00472	00061 PCB
R18	10.0K ¼W ±1% Metal Film	p39a01002	00060 PCB
R180	4.7K ¼W ±5% Carbon Film	p43a00472	00061 PCB
R181	4.7K ¼W ±5% Carbon Film	p43a00472	00061 PCB
R182	5.6K ¼W ±5% Carbon Film	p43a00562	00061 PCB
R183	5.6K ¼W ±5% Carbon Film	p43a00562	00061 PCB
R184	5.6K ¼W ±5% Carbon Film	p43a00562	00060 PCB
R185	5.6K ¼W ±5% Carbon Film	p43a00562	00060 PCB
R186	5.6K ¼W ±5% Carbon Film	p43a00562	00060 PCB
R187	5.6K ¼W ±5% Carbon Film	p43a00562	00060 PCB
R188	5.6K ¼W ±5% Carbon Film	p43a00562	00060 PCB
R189	5.6K ¼W ±5% Carbon Film	p43a00562	00060 PCB
R19	1.96K ¼W ±1% Metal Film	p39a01961	00060 PCB
R190	5.6K ¼W ±5% Carbon Film	p43a00562	00060 PCB
R191	5.6K ¼W ±5% Carbon Film	p43a00562	00060 PCB
R192	5.6K ¼W ±5% Carbon Film	p43a00562	00060 PCB
R193	5.6K ¼W ±5% Carbon Film	p43a00562	00060 PCB
R194	5.6K ¼W ±5% Carbon Film	p43a00562	00060 PCB
R195	5.6K ¼W ±5% Carbon Film	p43a00562	00060 PCB
R196	5.6K ¼W ±5% Carbon Film	p43a00562	00060 PCB
R197	5.6K ¼W ±5% Carbon Film	p43a00562	00060 PCB
R198	5.6K ¼W ±5% Carbon Film	p43a00562	00060 PCB
R199	5.6K ¼W ±5% Carbon Film	p43a00562	00060 PCB

GQX-3102 Bill of Materials (Rev.B 00060 Version)

(Note: "None" parts are not listed)

Designator	Description	Stock Code	PCB
R2	78.7K ¼W ±1% Metal Film	p39a07872	00060 PCB
R20	10.0K ¼W ±1% Metal Film	p39a01002	00061 PCB
R200	5.6K ¼W ±5% Carbon Film	p43a00562	00060 PCB
R201	5.6K ¼W ±5% Carbon Film	p43a00562	00060 PCB
R202	5.6K ¼W ±5% Carbon Film	p43a00562	00060 PCB
R203	5.6K ¼W ±5% Carbon Film	p43a00562	00060 PCB
R204	5.6K ¼W ±5% Carbon Film	p43a00562	00060 PCB
R205	5.6K ¼W ±5% Carbon Film	p43a00562	00060 PCB
R206	5.6K ¼W ±5% Carbon Film	p43a00562	00060 PCB
R207	5.6K ¼W ±5% Carbon Film	p43a00562	00060 PCB
R208	5.6K ¼W ±5% Carbon Film	p43a00562	00060 PCB
R209	5.6K ¼W ±5% Carbon Film	p43a00562	00060 PCB
R21	10.0K ¼W ±1% Metal Film	p39a01002	00061 PCB
R210	5.6K ¼W ±5% Carbon Film	p43a00562	00060 PCB
R211	5.6K ¼W ±5% Carbon Film	p43a00562	00060 PCB
R212	5.6K ¼W ±5% Carbon Film	p43a00562	00060 PCB
R213	5.6K ¼W ±5% Carbon Film	p43a00562	00060 PCB
R214	5.6K ¼W ±5% Carbon Film	p43a00562	00060 PCB
R215	15K ¼W ±5% Carbon Film	p43a00153	00060 PCB
R216	30K ¼W ±5% Carbon Film	p43a00303	00061 PCB
R217	30K ¼W ±5% Carbon Film	p43a00303	00061 PCB
R218	30K ¼W ±5% Carbon Film	p43a00303	00060 PCB
R219	30K ¼W ±5% Carbon Film	p43a00303	00061 PCB
R22	39.2K ¼W ±1% Metal Film	p39a03922	00060 PCB
R222	2.4K ¼W ±5% Carbon Film	p43a00242	00061 PCB
R223	2.4K ¼W ±5% Carbon Film	p43a00242	00061 PCB
R224	390K ¼W ±5% Carbon Film	p43a00394	00061 PCB
R225	1.00K ¼W ±1% Metal Film	p39a01001	00061 PCB
R226	1.00K ¼W ±1% Metal Film	p39a01001	00061 PCB
R227	1.00K ¼W ±1% Metal Film	p39a01001	00061 PCB
R228	1.00K ¼W ±1% Metal Film	p39a01001	00061 PCB
R229	1.5K ¼W ±5% Carbon Film	p43a00152	00061 PCB
R23	5.90K ¼W ±1% Metal Film	p39a05901	00060 PCB
R230	20K ¼W ±5% Carbon Film	p43a00203	00060 PCB

GQX-3102 Bill of Materials (Rev.B 00060 Version)

(Note: "None" parts are not listed)

Designator	Description	Stock Code	PCB
R231	3.3K 1/4W ±5% Carbon Film	p43a00332	00061 PCB
R232	3.3K 1/4W ±5% Carbon Film	p43a00332	00061 PCB
R233	3.3K 1/4W ±5% Carbon Film	p43a00332	00061 PCB
R234	3.3K 1/4W ±5% Carbon Film	p43a00332	00061 PCB
R235	3.3K 1/4W ±5% Carbon Film	p43a00332	00061 PCB
R236	100K 1/4W ±5% Carbon Film	p43a00104	00061 PCB
R237	100K 1/4W ±5% Carbon Film	p43a00104	00061 PCB
R24	5.6K 1/4W ±5% Carbon Film	p43a00562	00060 PCB
R25	31.6K 1/4W ±1% Metal Film	p39a03162	00060 PCB
R250	10.0K 1/4W ±1% Metal Film	p39a01002	00060 PCB
R251	10.0K 1/4W ±1% Metal Film	p39a01002	00060 PCB
R252	10.0K 1/4W ±1% Metal Film	p39a01002	00060 PCB
R253	10.0K 1/4W ±1% Metal Film	p39a01002	00060 PCB
R254	10.0K 1/4W ±1% Metal Film	p39a01002	00060 PCB
R255	10.0K 1/4W ±1% Metal Film	p39a01002	00060 PCB
R256	10.0K 1/4W ±1% Metal Film	p39a01002	00060 PCB
R257	10.0K 1/4W ±1% Metal Film	p39a01002	00060 PCB
R258	10.0K 1/4W ±1% Metal Film	p39a01002	00060 PCB
R259	10.0K 1/4W ±1% Metal Film	p39a01002	00060 PCB
R26	31.6K 1/4W ±1% Metal Film	p39a03162	00060 PCB
R260	10.0K 1/4W ±1% Metal Film	p39a01002	00060 PCB
R261	10.0K 1/4W ±1% Metal Film	p39a01002	00060 PCB
R262	10.0K 1/4W ±1% Metal Film	p39a01002	00060 PCB
R263	10.0K 1/4W ±1% Metal Film	p39a01002	00060 PCB
R264	10.0K 1/4W ±1% Metal Film	p39a01002	00060 PCB
R265	10.0K 1/4W ±1% Metal Film	p39a01002	00060 PCB
R266	10.0K 1/4W ±1% Metal Film	p39a01002	00060 PCB
R267	10.0K 1/4W ±1% Metal Film	p39a01002	00060 PCB
R268	10.0K 1/4W ±1% Metal Film	p39a01002	00060 PCB
R269	10.0K 1/4W ±1% Metal Film	p39a01002	00060 PCB
R27	5.90K 1/4W ±1% Metal Film	p39a05901	00060 PCB
R270	10.0K 1/4W ±1% Metal Film	p39a01002	00060 PCB
R271	10.0K 1/4W ±1% Metal Film	p39a01002	00060 PCB
R272	10.0K 1/4W ±1% Metal Film	p39a01002	00060 PCB

GQX-3102 Bill of Materials (Rev.B 00060 Version)

(Note: "None" parts are not listed)

Designator	Description	Stock Code	PCB
R273	10.0K 1/4W ±1% Metal Film	p39a01002	00060 PCB
R274	10.0K 1/4W ±1% Metal Film	p39a01002	00060 PCB
R275	10.0K 1/4W ±1% Metal Film	p39a01002	00060 PCB
R276	10.0K 1/4W ±1% Metal Film	p39a01002	00060 PCB
R277	10.0K 1/4W ±1% Metal Film	p39a01002	00060 PCB
R278	10.0K 1/4W ±1% Metal Film	p39a01002	00060 PCB
R279	10.0K 1/4W ±1% Metal Film	p39a01002	00060 PCB
R28	5.6K 1/4W ±5% Carbon Film	p43a00562	00060 PCB
R280	10.0K 1/4W ±1% Metal Film	p39a01002	00060 PCB
R281	62K 1/4W ±5% Carbon Film	p43a00623	00061 PCB
R284	150K 1/4W ±5% Carbon Film	p43a00154	00061 PCB
R288	12K 1/4W ±5% Carbon Film	p43a00123	00061 PCB
R289	1.96K 1/4W ±1% Metal Film	p39a01961	00060 PCB
R29	25.5K 1/4W ±1% Metal Film	p39a02552	00060 PCB
R290	1.96K 1/4W ±1% Metal Film	p39a01961	00060 PCB
R291	78.7K 1/4W ±1% Metal Film	p39a07872	00060 PCB
R292	78.7K 1/4W ±1% Metal Film	p39a07872	00060 PCB
R293	78.7K 1/4W ±1% Metal Film	p39a07872	00060 PCB
R294	78.7K 1/4W ±1% Metal Film	p39a07872	00060 PCB
R295	5.90K 1/4W ±1% Metal Film	p39a05901	00060 PCB
R296	5.90K 1/4W ±1% Metal Film	p39a05901	00060 PCB
R297	5.90K 1/4W ±1% Metal Film	p39a05901	00060 PCB
R298	5.90K 1/4W ±1% Metal Film	p39a05901	00060 PCB
R299	5.90K 1/4W ±1% Metal Film	p39a05901	00060 PCB
R3	10.0K 1/4W ±1% Metal Film	p39a01002	00060 PCB
R30	25.5K 1/4W ±1% Metal Film	p39a02552	00060 PCB
R300	5.90K 1/4W ±1% Metal Film	p39a05901	00060 PCB
R301	10.0K 1/4W ±1% Metal Film	p39a01002	00061 PCB
R302	10.0K 1/4W ±1% Metal Film	p39a01002	00061 PCB
R303	2.4K 1/4W ±5% Carbon Film	p43a00242	00061 PCB
R304	390K 1/4W ±5% Carbon Film	p43a00394	00061 PCB
R305	62K 1/4W ±5% Carbon Film	p43a00623	00061 PCB
R306	10.0K 1/4W ±1% Metal Film	p39a01002	00061 PCB
R307	10.0K 1/4W ±1% Metal Film	p39a01002	00061 PCB

GQX-3102 Bill of Materials (Rev.B 00060 Version)

(Note: "None" parts are not listed)

Designator	Description	Stock Code	PCB
R308	10.0K ¼W ±1% Metal Film	p39a01002	00061 PCB
R309	30K ¼W ±5% Carbon Film	p43a00303	00061 PCB
R31	5.6K ¼W ±5% Carbon Film	p43a00562	00060 PCB
R310	5.90K ¼W ±1% Metal Film	p39a05901	00060 PCB
R311	5.90K ¼W ±1% Metal Film	p39a05901	00060 PCB
R312	10.0K ¼W ±1% Metal Film	p39a01002	00061 PCB
R313	3.3K ¼W ±5% Carbon Film	p43a00332	00061 PCB
R314	3.3K ¼W ±5% Carbon Film	p43a00332	00061 PCB
R315	1.00K ¼W ±1% Metal Film	p39a01001	00061 PCB
R316	1.5K ¼W ±5% Carbon Film	p43a00152	00061 PCB
R317	1.00K ¼W ±1% Metal Film	p39a01001	00061 PCB
R318	10.0K ¼W ±1% Metal Film	p39a01002	00061 PCB
R319	10.0K ¼W ±1% Metal Film	p39a01002	00061 PCB
R32	19.6K ¼W ±1% Metal Film	p39a01962	00060 PCB
R320	10.0K ¼W ±1% Metal Film	p39a01002	00061 PCB
R321	5.6K ¼W ±5% Carbon Film	p43a00562	00061 PCB
R322	10.0K ¼W ±1% Metal Film	p39a01002	00061 PCB
R323	10.0K ¼W ±1% Metal Film	p39a01002	00061 PCB
R324	30K ¼W ±5% Carbon Film	p43a00303	00061 PCB
R325	4.7K ¼W ±5% Carbon Film	p43a00472	00061 PCB
R326	10.0K ¼W ±1% Metal Film	p39a01002	00061 PCB
R327	5.6K ¼W ±5% Carbon Film	p43a00562	00061 PCB
R328	10.0K ¼W ±1% Metal Film	p39a01002	00061 PCB
R329	4.7K ¼W ±5% Carbon Film	p43a00472	00061 PCB
R33	19.6K ¼W ±1% Metal Film	p39a01962	00060 PCB
R330	100K ¼W ±5% Carbon Film	p43a00104	00061 PCB
R331	30K ¼W ±5% Carbon Film	p43a00303	00061 PCB
R332	1.00K ¼W ±1% Metal Film	p39a01001	00061 PCB
R333	5.90K ¼W ±1% Metal Film	p39a05901	00060 PCB
R334	5.90K ¼W ±1% Metal Film	p39a05901	00060 PCB
R335	5.90K ¼W ±1% Metal Film	p39a05901	00060 PCB
R336	5.90K ¼W ±1% Metal Film	p39a05901	00060 PCB
R337	5.90K ¼W ±1% Metal Film	p39a05901	00060 PCB
R338	5.90K ¼W ±1% Metal Film	p39a05901	00060 PCB

GQX-3102 Bill of Materials (Rev.B 00060 Version)

(Note: "None" parts are not listed)

Designator	Description	Stock Code	PCB
R339	5.90K 1/4W ±1% Metal Film	p39a05901	00060 PCB
R34	5.90K 1/4W ±1% Metal Film	p39a05901	00060 PCB
R340	5.90K 1/4W ±1% Metal Film	p39a05901	00060 PCB
R341	5.90K 1/4W ±1% Metal Film	p39a05901	00060 PCB
R342	5.90K 1/4W ±1% Metal Film	p39a05901	00060 PCB
R343	5.90K 1/4W ±1% Metal Film	p39a05901	00060 PCB
R344	5.90K 1/4W ±1% Metal Film	p39a05901	00060 PCB
R345	5.90K 1/4W ±1% Metal Film	p39a05901	00060 PCB
R346	5.90K 1/4W ±1% Metal Film	p39a05901	00060 PCB
R347	5.90K 1/4W ±1% Metal Film	p39a05901	00060 PCB
R348	5.90K 1/4W ±1% Metal Film	p39a05901	00060 PCB
R349	5.90K 1/4W ±1% Metal Film	p39a05901	00060 PCB
R35	5.6K 1/4W ±5% Carbon Film	p43a00562	00060 PCB
R350	5.90K 1/4W ±1% Metal Film	p39a05901	00060 PCB
R351	5.90K 1/4W ±1% Metal Film	p39a05901	00060 PCB
R352	5.90K 1/4W ±1% Metal Film	p39a05901	00060 PCB
R353	5.90K 1/4W ±1% Metal Film	p39a05901	00060 PCB
R354	5.90K 1/4W ±1% Metal Film	p39a05901	00060 PCB
R355	5.90K 1/4W ±1% Metal Film	p39a05901	00060 PCB
R356	63.4K 1/4W ±1% Metal Film	p39a06342	00060 PCB
R357	63.4K 1/4W ±1% Metal Film	p39a06342	00060 PCB
R358	63.4K 1/4W ±1% Metal Film	p39a06342	00060 PCB
R359	63.4K 1/4W ±1% Metal Film	p39a06342	00060 PCB
R36	15.8K 1/4W ±1% Metal Film	p39a01582	00060 PCB
R360	49.9K 1/4W ±1% Metal Film	p39a04992	00060 PCB
R361	49.9K 1/4W ±1% Metal Film	p39a04992	00060 PCB
R362	49.9K 1/4W ±1% Metal Film	p39a04992	00060 PCB
R363	49.9K 1/4W ±1% Metal Film	p39a04992	00060 PCB
R364	39.2K 1/4W ±1% Metal Film	p39a03922	00060 PCB
R365	39.2K 1/4W ±1% Metal Film	p39a03922	00060 PCB
R366	39.2K 1/4W ±1% Metal Film	p39a03922	00060 PCB
R367	39.2K 1/4W ±1% Metal Film	p39a03922	00060 PCB
R368	31.6K 1/4W ±1% Metal Film	p39a03162	00060 PCB
R369	31.6K 1/4W ±1% Metal Film	p39a03162	00060 PCB

GQX-3102 Bill of Materials (Rev.B 00060 Version)

(Note: "None" parts are not listed)

Designator	Description	Stock Code	PCB
R37	15.8K 1/4W ±1% Metal Film	p39a01582	00060 PCB
R370	31.6K 1/4W ±1% Metal Film	p39a03162	00060 PCB
R371	31.6K 1/4W ±1% Metal Film	p39a03162	00060 PCB
R372	25.5K 1/4W ±1% Metal Film	p39a02552	00060 PCB
R373	25.5K 1/4W ±1% Metal Film	p39a02552	00060 PCB
R374	25.5K 1/4W ±1% Metal Film	p39a02552	00060 PCB
R375	25.5K 1/4W ±1% Metal Film	p39a02552	00060 PCB
R376	19.6K 1/4W ±1% Metal Film	p39a01962	00060 PCB
R377	19.6K 1/4W ±1% Metal Film	p39a01962	00060 PCB
R378	19.6K 1/4W ±1% Metal Film	p39a01962	00060 PCB
R379	19.6K 1/4W ±1% Metal Film	p39a01962	00060 PCB
R38	5.6K 1/4W ±5% Carbon Film	p43a00562	00060 PCB
R380	15.8K 1/4W ±1% Metal Film	p39a01582	00060 PCB
R381	15.8K 1/4W ±1% Metal Film	p39a01582	00060 PCB
R382	15.8K 1/4W ±1% Metal Film	p39a01582	00060 PCB
R383	15.8K 1/4W ±1% Metal Film	p39a01582	00060 PCB
R384	12.7K 1/4W ±1% Metal Film	p39a01272	00060 PCB
R385	12.7K 1/4W ±1% Metal Film	p39a01272	00060 PCB
R386	12.7K 1/4W ±1% Metal Film	p39a01272	00060 PCB
R387	12.7K 1/4W ±1% Metal Film	p39a01272	00060 PCB
R388	9.76K 1/4W ±1% Metal Film	p39a09761	00060 PCB
R389	9.76K 1/4W ±1% Metal Film	p39a09761	00060 PCB
R39	12.7K 1/4W ±1% Metal Film	p39a01272	00060 PCB
R390	9.76K 1/4W ±1% Metal Film	p39a09761	00060 PCB
R391	9.76K 1/4W ±1% Metal Film	p39a09761	00060 PCB
R392	7.87K 1/4W ±1% Metal Film	p39a07871	00060 PCB
R393	7.87K 1/4W ±1% Metal Film	p39a07871	00060 PCB
R394	6.34K 1/4W ±1% Metal Film	p39a06341	00060 PCB
R395	6.34K 1/4W ±1% Metal Film	p39a06341	00060 PCB
R396	4.99K 1/4W ±1% Metal Film	p39a04991	00060 PCB
R397	4.99K 1/4W ±1% Metal Film	p39a04991	00060 PCB
R398	3.92K 1/4W ±1% Metal Film	p39a03921	00060 PCB
R399	3.92K 1/4W ±1% Metal Film	p39a03921	00060 PCB
R4	78.7K 1/4W ±1% Metal Film	p39a07872	00060 PCB

GQX-3102 Bill of Materials (Rev.B 00060 Version)

(Note: "None" parts are not listed)

Designator	Description	Stock Code	PCB
R40	10.0K ¼W ±1% Metal Film	p39a01002	00060 PCB
R400	3.16K ¼W ±1% Metal Film	p39a03161	00060 PCB
R401	100K ¼W ±5% Carbon Film	p43a00104	00061 PCB
R402	10.0K ¼W ±1% Metal Film	p39a01002	00061 PCB
R403	3.3K ¼W ±5% Carbon Film	p43a00332	00061 PCB
R404	3.3K ¼W ±5% Carbon Film	p43a00332	00061 PCB
R405	3.3K ¼W ±5% Carbon Film	p43a00332	00061 PCB
R406	150K ¼W ±5% Carbon Film	p43a00154	00061 PCB
R407	1.00K ¼W ±1% Metal Film	p39a01001	00061 PCB
R408	2.4K ¼W ±5% Carbon Film	p43a00242	00061 PCB
R409	12K ¼W ±5% Carbon Film	p43a00123	00061 PCB
R41	12.7K ¼W ±1% Metal Film	p39a01272	00060 PCB
R410	4.7K ¼W ±5% Carbon Film	p43a00472	00061 PCB
R411	3.16K ¼W ±1% Metal Film	p39a03161	00060 PCB
R412	2.55K ¼W ±1% Metal Film	p39a02551	00060 PCB
R413	2.55K ¼W ±1% Metal Film	p39a02551	00060 PCB
R414	1.58K ¼W ±1% Metal Film	p39a01581	00060 PCB
R415	1.58K ¼W ±1% Metal Film	p39a01581	00060 PCB
R416	1.27K ¼W ±1% Metal Film	p39a01271	00060 PCB
R417	1.27K ¼W ±1% Metal Film	p39a01271	00060 PCB
R418	976 Ohm ¼W ±1% Metal Film	p39a09760	00060 PCB
R419	976 Ohm ¼W ±1% Metal Film	p39a09760	00060 PCB
R42	9.76K ¼W ±1% Metal Film	p39a09761	00060 PCB
R420	787 Ohm ¼W ±1% Metal Film	p39a07870	00060 PCB
R421	787 Ohm ¼W ±1% Metal Film	p39a07870	00060 PCB
R43	10.0K ¼W ±1% Metal Film	p39a01002	00060 PCB
R44	5.90K ¼W ±1% Metal Film	p39a05901	00060 PCB
R45	9.76K ¼W ±1% Metal Film	p39a09761	00060 PCB
R46	78.7K ¼W ±1% Metal Film	p39a07872	00060 PCB
R47	10.0K ¼W ±1% Metal Film	p39a01002	00060 PCB
R48	78.7K ¼W ±1% Metal Film	p39a07872	00060 PCB
R49	63.4K ¼W ±1% Metal Film	p39a06342	00060 PCB
R5	5.90K ¼W ±1% Metal Film	p39a05901	00060 PCB
R50	10.0K ¼W ±1% Metal Film	p39a01002	00060 PCB

GQX-3102 Bill of Materials (Rev.B 00060 Version)

(Note: "None" parts are not listed)

Designator	Description	Stock Code	PCB
R51	5.90K 1/4W ±1% Metal Film	p39a05901	00060 PCB
R52	63.4K 1/4W ±1% Metal Film	p39a06342	00060 PCB
R53	25.5K 1/4W ±1% Metal Film	p39a02552	00060 PCB
R54	10.0K 1/4W ±1% Metal Film	p39a01002	00060 PCB
R55	5.90K 1/4W ±1% Metal Film	p39a05901	00060 PCB
R56	5.6K 1/4W ±5% Carbon Film	p43a00562	00060 PCB
R57	10.0K 1/4W ±1% Metal Film	p39a01002	00060 PCB
R58	5.90K 1/4W ±1% Metal Film	p39a05901	00060 PCB
R59	39.2K 1/4W ±1% Metal Film	p39a03922	00060 PCB
R6	5.6K 1/4W ±5% Carbon Film	p43a00562	00060 PCB
R60	5.6K 1/4W ±5% Carbon Film	p43a00562	00060 PCB
R61	10.0K 1/4W ±1% Metal Film	p39a01002	00060 PCB
R62	5.90K 1/4W ±1% Metal Film	p39a05901	00060 PCB
R63	5.6K 1/4W ±5% Carbon Film	p43a00562	00060 PCB
R64	10.0K 1/4W ±1% Metal Film	p39a01002	00060 PCB
R65	5.90K 1/4W ±1% Metal Film	p39a05901	00060 PCB
R66	5.6K 1/4W ±5% Carbon Film	p43a00562	00060 PCB
R67	49.9K 1/4W ±1% Metal Film	p39a04992	00060 PCB
R68	10.0K 1/4W ±1% Metal Film	p39a01002	00060 PCB
R69	49.9K 1/4W ±1% Metal Film	p39a04992	00060 PCB
R7	63.4K 1/4W ±1% Metal Film	p39a06342	00060 PCB
R70	5.90K 1/4W ±1% Metal Film	p39a05901	00060 PCB
R71	5.6K 1/4W ±5% Carbon Film	p43a00562	00060 PCB
R72	39.2K 1/4W ±1% Metal Film	p39a03922	00060 PCB
R73	10.0K 1/4W ±1% Metal Film	p39a01002	00060 PCB
R74	5.90K 1/4W ±1% Metal Film	p39a05901	00060 PCB
R75	5.6K 1/4W ±5% Carbon Film	p43a00562	00060 PCB
R76	31.6K 1/4W ±1% Metal Film	p39a03162	00060 PCB
R77	10.0K 1/4W ±1% Metal Film	p39a01002	00060 PCB
R78	31.6K 1/4W ±1% Metal Film	p39a03162	00060 PCB
R79	5.90K 1/4W ±1% Metal Film	p39a05901	00060 PCB
R8	10.0K 1/4W ±1% Metal Film	p39a01002	00060 PCB
R80	5.6K 1/4W ±5% Carbon Film	p43a00562	00060 PCB
R801	10.0K 1/4W ±1% Metal Film	p39a01002	00061 PCB

GQX-3102 Bill of Materials (Rev.B 00060 Version)

(Note: "None" parts are not listed)

Designator	Description	Stock Code	PCB
R802	10.0K ¼W ±1% Metal Film	p39a01002	00061 PCB
R803	10.0K ¼W ±1% Metal Film	p39a01002	00061 PCB
R804	10.0K ¼W ±1% Metal Film	p39a01002	00061 PCB
R805	100 Ohm ¼W ±5% Carbon Film	p43a00101	00061 PCB
R806	10.0K ¼W ±1% Metal Film	p39a01002	00061 PCB
R807	10.0K ¼W ±1% Metal Film	p39a01002	00061 PCB
R808	10.0K ¼W ±1% Metal Film	p39a01002	00061 PCB
R809	30K ¼W ±5% Carbon Film	p43a00303	00061 PCB
R81	10.0K ¼W ±1% Metal Film	p39a01002	00060 PCB
R810	10.0K ¼W ±1% Metal Film	p39a01002	00061 PCB
R811	10.0K ¼W ±1% Metal Film	p39a01002	00061 PCB
R812	10.0K ¼W ±1% Metal Film	p39a01002	00061 PCB
R813	10.0K ¼W ±1% Metal Film	p39a01002	00061 PCB
R814	100 Ohm ¼W ±5% Carbon Film	p43a00101	00061 PCB
R815	10.0K ¼W ±1% Metal Film	p39a01002	00061 PCB
R816	30K ¼W ±5% Carbon Film	p43a00303	00061 PCB
R818	1M ¼W ±5% Carbon Film	p43a00105	00061 PCB
R82	25.5K ¼W ±1% Metal Film	p39a02552	00060 PCB
R820	6.8K ¼W ±5% Carbon Film	p43a00682	00061 PCB
R83	5.90K ¼W ±1% Metal Film	p39a05901	00060 PCB
R84	5.6K ¼W ±5% Carbon Film	p43a00562	00060 PCB
R85	19.6K ¼W ±1% Metal Film	p39a01962	00060 PCB
R851	10.0K ¼W ±1% Metal Film	p39a01002	00061 PCB
R852	10.0K ¼W ±1% Metal Film	p39a01002	00061 PCB
R853	10.0K ¼W ±1% Metal Film	p39a01002	00061 PCB
R854	10.0K ¼W ±1% Metal Film	p39a01002	00061 PCB
R855	100 Ohm ¼W ±5% Carbon Film	p43a00101	00061 PCB
R856	10.0K ¼W ±1% Metal Film	p39a01002	00061 PCB
R857	10.0K ¼W ±1% Metal Film	p39a01002	00061 PCB
R858	10.0K ¼W ±1% Metal Film	p39a01002	00061 PCB
R859	30K ¼W ±5% Carbon Film	p43a00303	00061 PCB
R86	10.0K ¼W ±1% Metal Film	p39a01002	00060 PCB
R860	10.5K ¼W ±1% Metal Film	p39a01052	00061 PCB
R861	10.0K ¼W ±1% Metal Film	p39a01002	00061 PCB

GQX-3102 Bill of Materials (Rev.B 00060 Version)

(Note: "None" parts are not listed)

Designator	Description	Stock Code	PCB
R862	10.0K ¼W ±1% Metal Film	p39a01002	00061 PCB
R863	10.0K ¼W ±1% Metal Film	p39a01002	00061 PCB
R864	100 Ohm ¼W ±5% Carbon Film	p43a00101	00061 PCB
R865	10.0K ¼W ±1% Metal Film	p39a01002	00061 PCB
R866	30K ¼W ±5% Carbon Film	p43a00303	00061 PCB
R868	1M ¼W ±5% Carbon Film	p43a00105	00061 PCB
R87	19.6K ¼W ±1% Metal Film	p39a01962	00060 PCB
R870	6.8K ¼W ±5% Carbon Film	p43a00682	00061 PCB
R88	5.90K ¼W ±1% Metal Film	p39a05901	00060 PCB
R89	5.6K ¼W ±5% Carbon Film	p43a00562	00060 PCB
R9	63.4K ¼W ±1% Metal Film	p39a06342	00060 PCB
R90	15.8K ¼W ±1% Metal Film	p39a01582	00060 PCB
R91	10.0K ¼W ±1% Metal Film	p39a01002	00060 PCB
R92	15.8K ¼W ±1% Metal Film	p39a01582	00060 PCB
R93	5.90K ¼W ±1% Metal Film	p39a05901	00060 PCB
R94	5.6K ¼W ±5% Carbon Film	p43a00562	00060 PCB
R95	12.7K ¼W ±1% Metal Film	p39a01272	00060 PCB
R96	10.0K ¼W ±1% Metal Film	p39a01002	00060 PCB
R97	12.7K ¼W ±1% Metal Film	p39a01272	00060 PCB
R98	5.90K ¼W ±1% Metal Film	p39a05901	00060 PCB
R99	5.6K ¼W ±5% Carbon Film	p43a00562	00060 PCB
SW101	Right Angle DPDT PC Mount Push-Push 3.3mm Shaft E-Switch TA	j35b02000	00061 PCB
SW102	Right Angle DPDT PC Mount Push-Push 3.3mm Shaft E-Switch TA	j35b02000	00061 PCB
SW103	Right Angle DPDT PC Mount Push-Push 3.3mm Shaft E-Switch TA	j35b02000	00061 PCB
SW201	Right Angle DPDT PC Mount Push-Push 3.3mm Shaft E-Switch TA	j35b02000	00061 PCB
SW202	Right Angle DPDT PC Mount Push-Push 3.3mm Shaft E-Switch TA	j35b02000	00061 PCB
SW203	Right Angle DPDT PC Mount Push-Push 3.3mm Shaft E-Switch TA	j35b02000	00061 PCB
U1	KA7918 -18V 3-Terminal 1A Negative Voltage Regulator TO-220	r14a07918	00061 PCB
U101	NJM4560D Dual Operational Amplifier 8-Pin DIP	r10a04560	00061 PCB
U102	NJM4560D Dual Operational Amplifier 8-Pin DIP	r10a04560	00061 PCB
U103	NJM4560D Dual Operational Amplifier 8-Pin DIP	r10a04560	00061 PCB
U104	NJM4560D Dual Operational Amplifier 8-Pin DIP	r10a04560	00061 PCB
U105	NJM2043D Dual Low-Noise Preamplifier 8-Pin DIP	r10a02043	00060 PCB
U106	NJM2043D Dual Low-Noise Preamplifier 8-Pin DIP	r10a02043	00061 PCB

GQX-3102 Bill of Materials (Rev.B 00060 Version)

(Note: "None" parts are not listed)

Designator	Description	Stock Code	PCB
U107	NJM4560D Dual Operational Amplifier 8-Pin DIP	r10a04560	00061 PCB
U108	NJM4560D Dual Operational Amplifier 8-Pin DIP	r10a04560	00061 PCB
U109	LM3915 Dot/Bar Display Driver	r19a03915	00061 PCB
U110	NJM4560D Dual Operational Amplifier 8-Pin DIP	r10a04560	00060 PCB
U111	NJM4560D Dual Operational Amplifier 8-Pin DIP	r10a04560	00060 PCB
U112	NJM4560D Dual Operational Amplifier 8-Pin DIP	r10a04560	00060 PCB
U113	NJM4560D Dual Operational Amplifier 8-Pin DIP	r10a04560	00060 PCB
U114	NJM4560D Dual Operational Amplifier 8-Pin DIP	r10a04560	00060 PCB
U115	NJM4560D Dual Operational Amplifier 8-Pin DIP	r10a04560	00060 PCB
U116	NJM4560D Dual Operational Amplifier 8-Pin DIP	r10a04560	00060 PCB
U117	NJM4560D Dual Operational Amplifier 8-Pin DIP	r10a04560	00060 PCB
U118	NJM4560D Dual Operational Amplifier 8-Pin DIP	r10a04560	00060 PCB
U119	NJM4560D Dual Operational Amplifier 8-Pin DIP	r10a04560	00060 PCB
U120	NJM4560D Dual Operational Amplifier 8-Pin DIP	r10a04560	00060 PCB
U121	NJM4560D Dual Operational Amplifier 8-Pin DIP	r10a04560	00060 PCB
U122	NJM4560D Dual Operational Amplifier 8-Pin DIP	r10a04560	00060 PCB
U123	NJM4560D Dual Operational Amplifier 8-Pin DIP	r10a04560	00060 PCB
U124	NJM4560D Dual Operational Amplifier 8-Pin DIP	r10a04560	00060 PCB
U125	NJM4560D Dual Operational Amplifier 8-Pin DIP	r10a04560	00060 PCB
U2	KA7818 18V 3-Terminal 1A Positive Voltage Regulator TO-220	r14a07818	00061 PCB
U201	NJM4560D Dual Operational Amplifier 8-Pin DIP	r10a04560	00061 PCB
U202	NJM4560D Dual Operational Amplifier 8-Pin DIP	r10a04560	00061 PCB
U203	NJM4560D Dual Operational Amplifier 8-Pin DIP	r10a04560	00061 PCB
U204	NJM4560D Dual Operational Amplifier 8-Pin DIP	r10a04560	00061 PCB
U205	NJM2043D Dual Low-Noise Preamplifier 8-Pin DIP	r10a02043	00060 PCB
U206	NJM2043D Dual Low-Noise Preamplifier 8-Pin DIP	r10a02043	00061 PCB
U207	NJM4560D Dual Operational Amplifier 8-Pin DIP	r10a04560	00061 PCB
U208	NJM4560D Dual Operational Amplifier 8-Pin DIP	r10a04560	00061 PCB
U209	LM3915 Dot/Bar Display Driver	r19a03915	00061 PCB
U210	NJM4560D Dual Operational Amplifier 8-Pin DIP	r10a04560	00060 PCB
U211	NJM4560D Dual Operational Amplifier 8-Pin DIP	r10a04560	00060 PCB
U212	NJM4560D Dual Operational Amplifier 8-Pin DIP	r10a04560	00060 PCB
U213	NJM4560D Dual Operational Amplifier 8-Pin DIP	r10a04560	00060 PCB
U214	NJM4560D Dual Operational Amplifier 8-Pin DIP	r10a04560	00060 PCB

GQX-3102 Bill of Materials (Rev.B 00060 Version)

(Note: "None" parts are not listed)

Designator	Description	Stock Code	PCB
U215	NJM4560D Dual Operational Amplifier 8-Pin DIP	r10a04560	00060 PCB
U216	NJM4560D Dual Operational Amplifier 8-Pin DIP	r10a04560	00060 PCB
U217	NJM4560D Dual Operational Amplifier 8-Pin DIP	r10a04560	00060 PCB
U218	NJM4560D Dual Operational Amplifier 8-Pin DIP	r10a04560	00060 PCB
U219	NJM4560D Dual Operational Amplifier 8-Pin DIP	r10a04560	00060 PCB
U220	NJM4560D Dual Operational Amplifier 8-Pin DIP	r10a04560	00060 PCB
U221	NJM4560D Dual Operational Amplifier 8-Pin DIP	r10a04560	00060 PCB
U222	NJM4560D Dual Operational Amplifier 8-Pin DIP	r10a04560	00060 PCB
U223	NJM4560D Dual Operational Amplifier 8-Pin DIP	r10a04560	00060 PCB
U224	NJM4560D Dual Operational Amplifier 8-Pin DIP	r10a04560	00060 PCB
U225	NJM4560D Dual Operational Amplifier 8-Pin DIP	r10a04560	00060 PCB
VR101	Noble V16L4(PH2D) 15c100k(x2)	p62g00104	00061 PCB
VR102	45mm Slide b50K(cc) Alps RS4511144 or Alpha RA4543-20T-115D1B54C	p66d08000	00060 PCB
VR103	45mm Slide b50K(cc) Alps RS4511144 or Alpha RA4543-20T-115D1B54C	p66d08000	00060 PCB
VR104	45mm Slide b50K(cc) Alps RS4511144 or Alpha RA4543-20T-115D1B54C	p66d08000	00060 PCB
VR105	45mm Slide b50K(cc) Alps RS4511144 or Alpha RA4543-20T-115D1B54C	p66d08000	00060 PCB
VR106	45mm Slide b50K(cc) Alps RS4511144 or Alpha RA4543-20T-115D1B54C	p66d08000	00060 PCB
VR107	45mm Slide b50K(cc) Alps RS4511144 or Alpha RA4543-20T-115D1B54C	p66d08000	00060 PCB
VR108	45mm Slide b50K(cc) Alps RS4511144 or Alpha RA4543-20T-115D1B54C	p66d08000	00060 PCB
VR109	45mm Slide b50K(cc) Alps RS4511144 or Alpha RA4543-20T-115D1B54C	p66d08000	00060 PCB
VR110	45mm Slide b50K(cc) Alps RS4511144 or Alpha RA4543-20T-115D1B54C	p66d08000	00060 PCB
VR111	45mm Slide b50K(cc) Alps RS4511144 or Alpha RA4543-20T-115D1B54C	p66d08000	00060 PCB
VR112	45mm Slide b50K(cc) Alps RS4511144 or Alpha RA4543-20T-115D1B54C	p66d08000	00060 PCB
VR113	45mm Slide b50K(cc) Alps RS4511144 or Alpha RA4543-20T-115D1B54C	p66d08000	00060 PCB
VR114	45mm Slide b50K(cc) Alps RS4511144 or Alpha RA4543-20T-115D1B54C	p66d08000	00060 PCB
VR115	45mm Slide b50K(cc) Alps RS4511144 or Alpha RA4543-20T-115D1B54C	p66d08000	00060 PCB
VR116	45mm Slide b50K(cc) Alps RS4511144 or Alpha RA4543-20T-115D1B54C	p66d08000	00060 PCB
VR117	45mm Slide b50K(cc) Alps RS4511144 or Alpha RA4543-20T-115D1B54C	p66d08000	00060 PCB
VR118	45mm Slide b50K(cc) Alps RS4511144 or Alpha RA4543-20T-115D1B54C	p66d08000	00060 PCB
VR119	45mm Slide b50K(cc) Alps RS4511144 or Alpha RA4543-20T-115D1B54C	p66d08000	00060 PCB
VR120	45mm Slide b50K(cc) Alps RS4511144 or Alpha RA4543-20T-115D1B54C	p66d08000	00060 PCB
VR121	45mm Slide b50K(cc) Alps RS4511144 or Alpha RA4543-20T-115D1B54C	p66d08000	00060 PCB
VR122	45mm Slide b50K(cc) Alps RS4511144 or Alpha RA4543-20T-115D1B54C	p66d08000	00060 PCB
VR123	45mm Slide b50K(cc) Alps RS4511144 or Alpha RA4543-20T-115D1B54C	p66d08000	00060 PCB

GQX-3102 Bill of Materials (Rev.B 00060 Version)

(Note: "None" parts are not listed)

Designator	Description	Stock Code	PCB
VR124	45mm Slide b50K(cc) Alps RS4511144 or Alpha RA4543-20T-115D1B54C	p66d08000	00060 PCB
VR125	45mm Slide b50K(cc) Alps RS4511144 or Alpha RA4543-20T-115D1B54C	p66d08000	00060 PCB
VR126	45mm Slide b50K(cc) Alps RS4511144 or Alpha RA4543-20T-115D1B54C	p66d08000	00060 PCB
VR127	45mm Slide b50K(cc) Alps RS4511144 or Alpha RA4543-20T-115D1B54C	p66d08000	00060 PCB
VR128	45mm Slide b50K(cc) Alps RS4511144 or Alpha RA4543-20T-115D1B54C	p66d08000	00060 PCB
VR129	45mm Slide b50K(cc) Alps RS4511144 or Alpha RA4543-20T-115D1B54C	p66d08000	00060 PCB
VR130	45mm Slide b50K(cc) Alps RS4511144 or Alpha RA4543-20T-115D1B54C	p66d08000	00060 PCB
VR131	45mm Slide b50K(cc) Alps RS4511144 or Alpha RA4543-20T-115D1B54C	p66d08000	00060 PCB
VR132	45mm Slide b50K(cc) Alps RS4511144 or Alpha RA4543-20T-115D1B54C	p66d08000	00060 PCB
VR133	45mm Slide b50K(cc) Alps RS4511144 or Alpha RA4543-20T-115D1B54C	p66d08000	00060 PCB
VR201	Noble V16L4(PH2D) 15c100k(x2)	p62g00104	00061 PCB
VR202	45mm Slide b50K(cc) Alps RS4511144 or Alpha RA4543-20T-115D1B54C	p66d08000	00060 PCB
VR203	45mm Slide b50K(cc) Alps RS4511144 or Alpha RA4543-20T-115D1B54C	p66d08000	00060 PCB
VR204	45mm Slide b50K(cc) Alps RS4511144 or Alpha RA4543-20T-115D1B54C	p66d08000	00060 PCB
VR205	45mm Slide b50K(cc) Alps RS4511144 or Alpha RA4543-20T-115D1B54C	p66d08000	00060 PCB
VR206	45mm Slide b50K(cc) Alps RS4511144 or Alpha RA4543-20T-115D1B54C	p66d08000	00060 PCB
VR207	45mm Slide b50K(cc) Alps RS4511144 or Alpha RA4543-20T-115D1B54C	p66d08000	00060 PCB
VR208	45mm Slide b50K(cc) Alps RS4511144 or Alpha RA4543-20T-115D1B54C	p66d08000	00060 PCB
VR209	45mm Slide b50K(cc) Alps RS4511144 or Alpha RA4543-20T-115D1B54C	p66d08000	00060 PCB
VR210	45mm Slide b50K(cc) Alps RS4511144 or Alpha RA4543-20T-115D1B54C	p66d08000	00060 PCB
VR211	45mm Slide b50K(cc) Alps RS4511144 or Alpha RA4543-20T-115D1B54C	p66d08000	00060 PCB
VR212	45mm Slide b50K(cc) Alps RS4511144 or Alpha RA4543-20T-115D1B54C	p66d08000	00060 PCB
VR213	45mm Slide b50K(cc) Alps RS4511144 or Alpha RA4543-20T-115D1B54C	p66d08000	00060 PCB
VR214	45mm Slide b50K(cc) Alps RS4511144 or Alpha RA4543-20T-115D1B54C	p66d08000	00060 PCB
VR215	45mm Slide b50K(cc) Alps RS4511144 or Alpha RA4543-20T-115D1B54C	p66d08000	00060 PCB
VR216	45mm Slide b50K(cc) Alps RS4511144 or Alpha RA4543-20T-115D1B54C	p66d08000	00060 PCB
VR217	45mm Slide b50K(cc) Alps RS4511144 or Alpha RA4543-20T-115D1B54C	p66d08000	00060 PCB
VR218	45mm Slide b50K(cc) Alps RS4511144 or Alpha RA4543-20T-115D1B54C	p66d08000	00060 PCB
VR219	45mm Slide b50K(cc) Alps RS4511144 or Alpha RA4543-20T-115D1B54C	p66d08000	00060 PCB
VR220	45mm Slide b50K(cc) Alps RS4511144 or Alpha RA4543-20T-115D1B54C	p66d08000	00060 PCB
VR221	45mm Slide b50K(cc) Alps RS4511144 or Alpha RA4543-20T-115D1B54C	p66d08000	00060 PCB
VR222	45mm Slide b50K(cc) Alps RS4511144 or Alpha RA4543-20T-115D1B54C	p66d08000	00060 PCB
VR223	45mm Slide b50K(cc) Alps RS4511144 or Alpha RA4543-20T-115D1B54C	p66d08000	00060 PCB
VR224	45mm Slide b50K(cc) Alps RS4511144 or Alpha RA4543-20T-115D1B54C	p66d08000	00060 PCB

GQX-3102 Bill of Materials (Rev.B 00060 Version)

(Note: "None" parts are not listed)

Designator	Description	Stock Code	PCB
VR225	45mm Slide b50K(cc) Alps RS4511144 or Alpha RA4543-20T-115D1B54C	p66d08000	00060 PCB
VR226	45mm Slide b50K(cc) Alps RS4511144 or Alpha RA4543-20T-115D1B54C	p66d08000	00060 PCB
VR227	45mm Slide b50K(cc) Alps RS4511144 or Alpha RA4543-20T-115D1B54C	p66d08000	00060 PCB
VR228	45mm Slide b50K(cc) Alps RS4511144 or Alpha RA4543-20T-115D1B54C	p66d08000	00060 PCB
VR229	45mm Slide b50K(cc) Alps RS4511144 or Alpha RA4543-20T-115D1B54C	p66d08000	00060 PCB
VR230	45mm Slide b50K(cc) Alps RS4511144 or Alpha RA4543-20T-115D1B54C	p66d08000	00060 PCB
VR231	45mm Slide b50K(cc) Alps RS4511144 or Alpha RA4543-20T-115D1B54C	p66d08000	00060 PCB
VR232	45mm Slide b50K(cc) Alps RS4511144 or Alpha RA4543-20T-115D1B54C	p66d08000	00060 PCB
VR233	45mm Slide b50K(cc) Alps RS4511144 or Alpha RA4543-20T-115D1B54C	p66d08000	00060 PCB