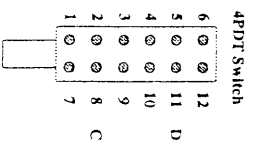
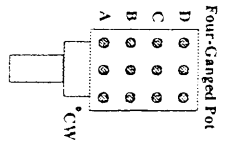
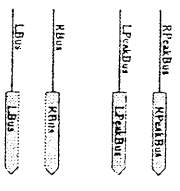
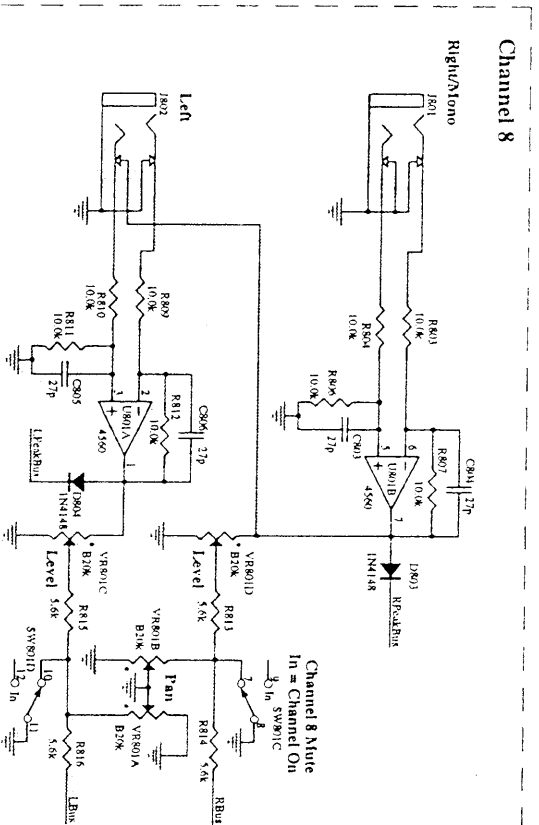
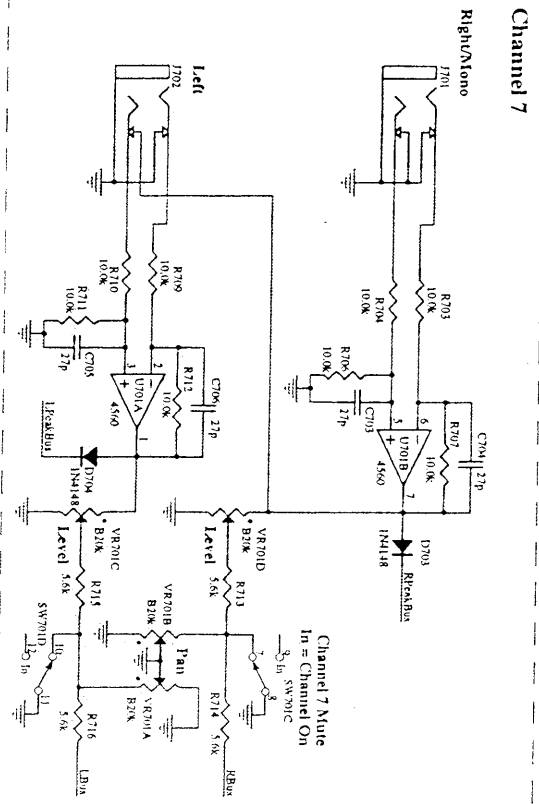
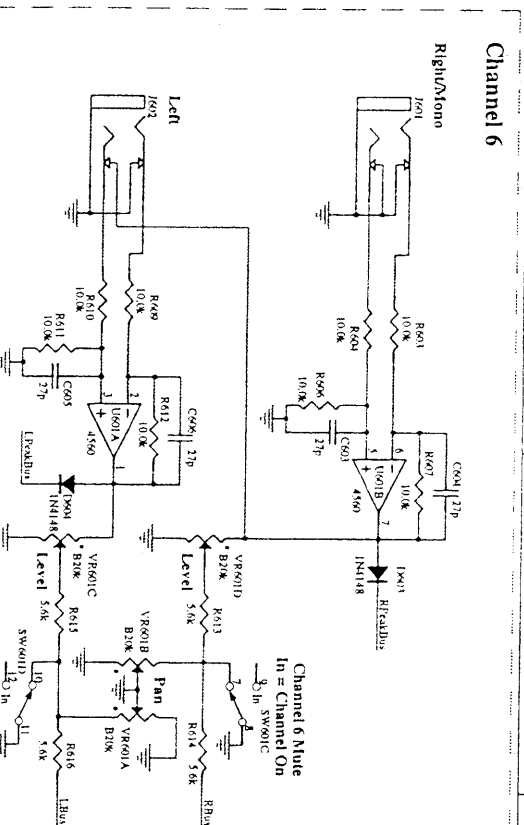
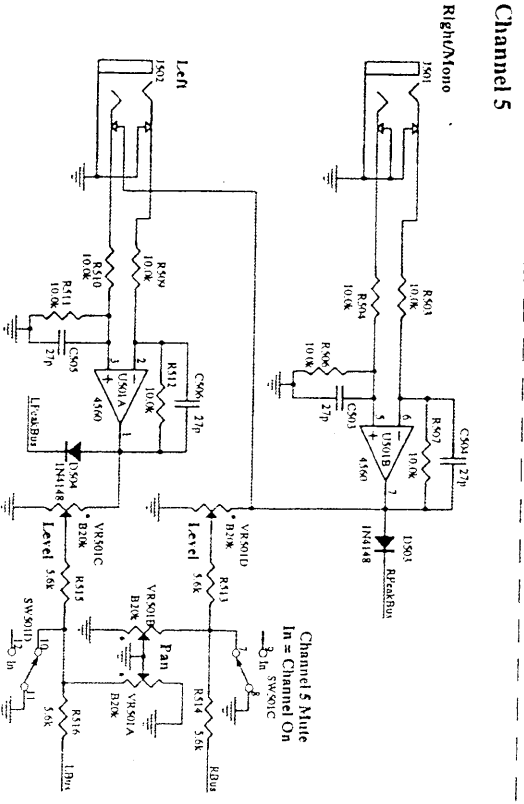


Four-Ganged Pot

4PDT Switch

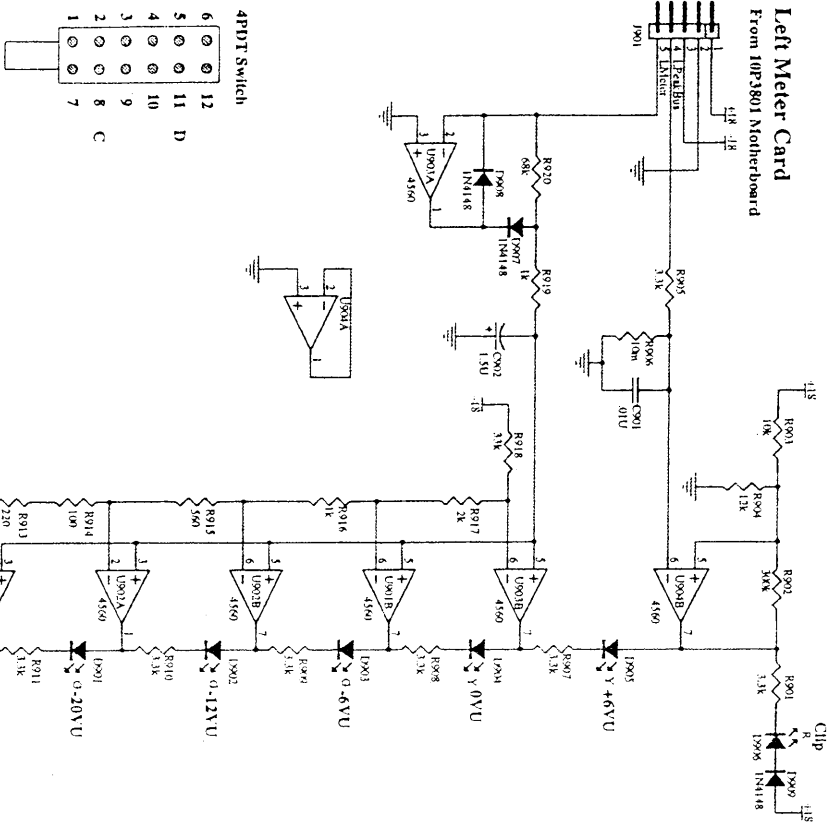
AS/ILY LX308B Input Channels 1-4

Size	B
Number	10S3802D
Date	3-SEP-2000
File	S:\Production\10S3802D.kch
Sheet 2 of 4	
Drawn By	D

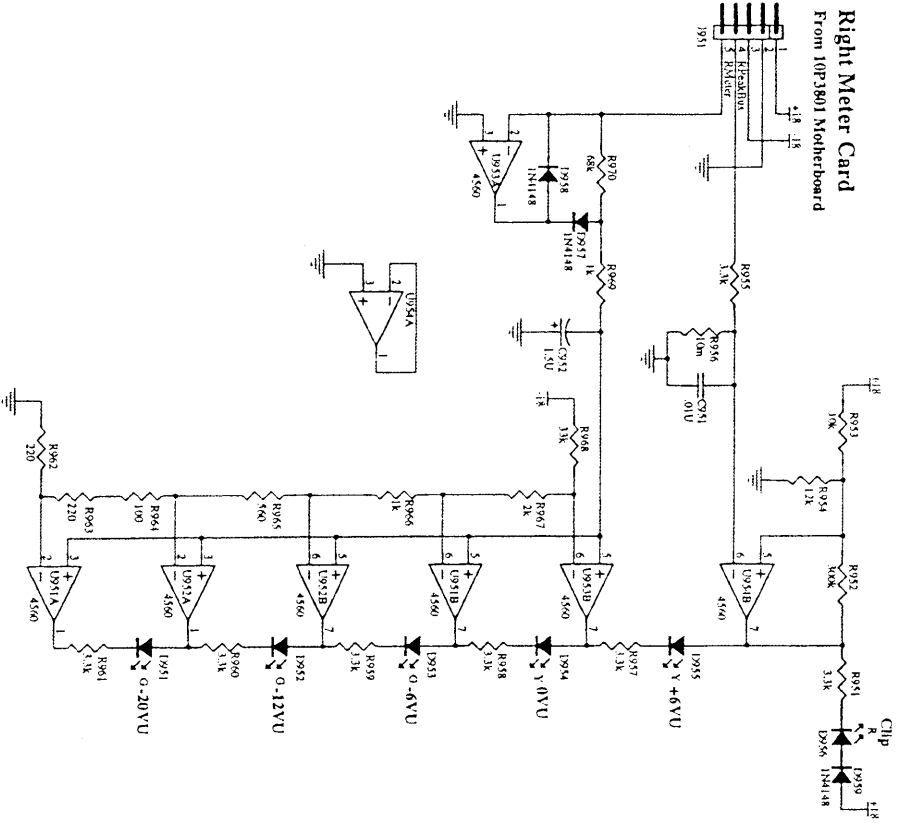


Title		ASHLEY LX308B Input Channels 5-8	
Size	Number	Revision	D
B	10S3803D		
Date	3 SEP 2000	Sheet 3 of 4	
File	S:\Engineering\10S3803D.ksh	Drawn By	

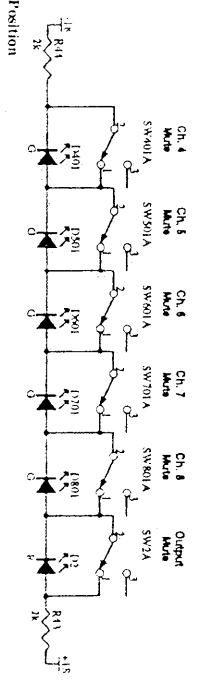
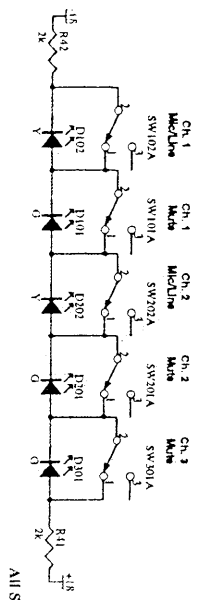
Left Meter Card
From 10P3801 Motherboard



Right Meter Card
From 10P3801 Motherboard

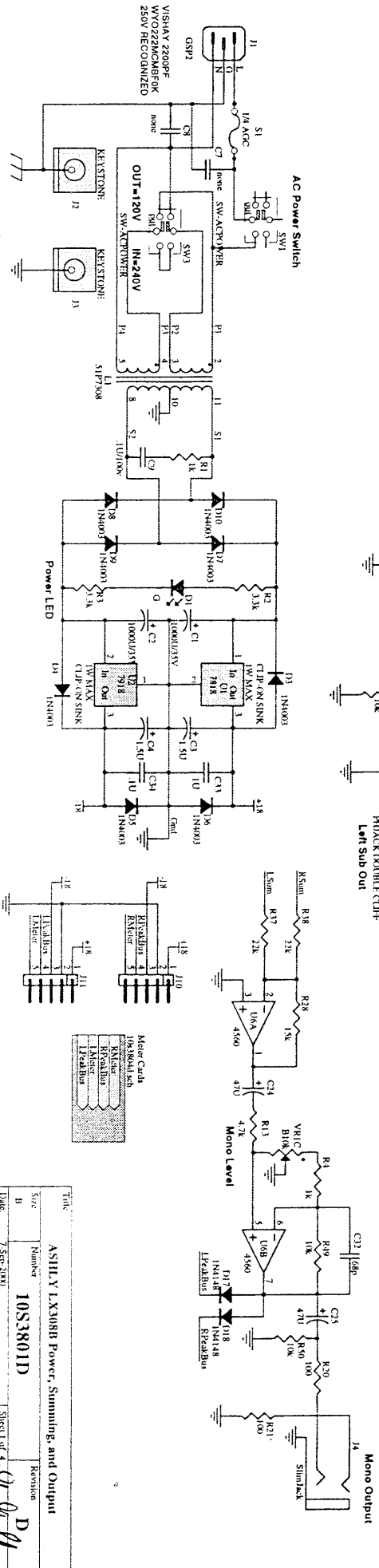
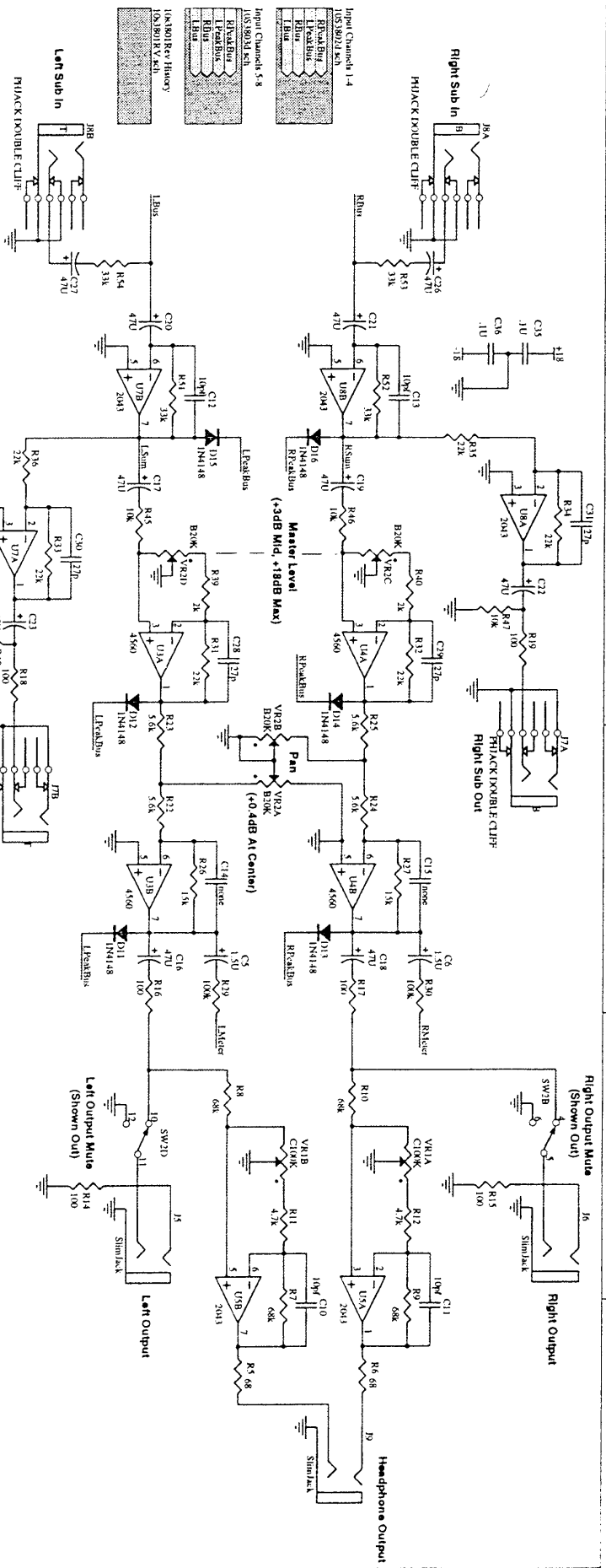


Ch. 1-8 Mute Switch Indicators/
Ch. 1-4 Mic-Line Switch Indicators



Time
Date
Rev.
ASILIY LX308B Meters and LEDs
10S3804D
Sheet 4 of 4
S. Dargatzis, J. V. K. K. K. K.
Vero, B.V.

Revision
D



Title		ASHLV L X308B Power, Summing, and Output	
Size	Number	Revision	Drawn By
0	10S3801D		
Date	7 Sep 2003	Sheet of 4	9/2/03
File	5:Substructure_10S3801.DSN	Drawn By	