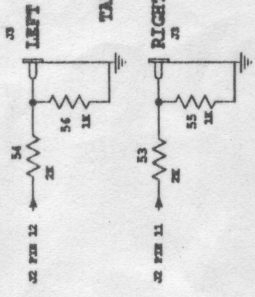


- J1 KNEEDER CONNECTOR
- 1- -18V METER
 - 2- +18V
 - 3- C
 - 4- SEND 1 MIXER
 - 5- SEND 2 MIXER
 - 6- C
 - 7- SEND 1 SUB OUT
 - 8- SEND 2 SUB OUT
 - 9- RIGHT PROGRAM
 - 10- LEFT PROGRAM
 - 11- RIGHT CHANNEL MIXER
 - 12- LEFT CHANNEL MIXER
 - 13- -18V
 - 14- +18V (PHANTOM PWR)
- J2 KNEEDER CONNECTOR
- 1- -18V METER
 - 2- +18V
 - 3- C
 - 4- SEND 1 MIXER
 - 5- SEND 2 MIXER
 - 6- C
 - 7- SEND 1 SUB OUT
 - 8- SEND 2 SUB OUT
 - 9- RIGHT PROGRAM
 - 10- LEFT PROGRAM
 - 11- RIGHT CHANNEL MIXER
 - 12- LEFT CHANNEL MIXER
 - 13- -18V
 - 14- +18V (PHANTOM PWR)



REV	DATE	DESCRIPTION
A	9-5-91	0471 REDUCE RETURN GAIN 6DB, CD IF GAIN 10DB

ASHLY

SCHEMATIC DIAGRAM
SEND/RETURN CARD
MCS06 STEREO MIXER

ASHELY AUDIO, INC.
100 FERNWOOD AVE.
ROCHESTER, NY 14621

DRAWING NO. 1055830A.SCE

REV. A

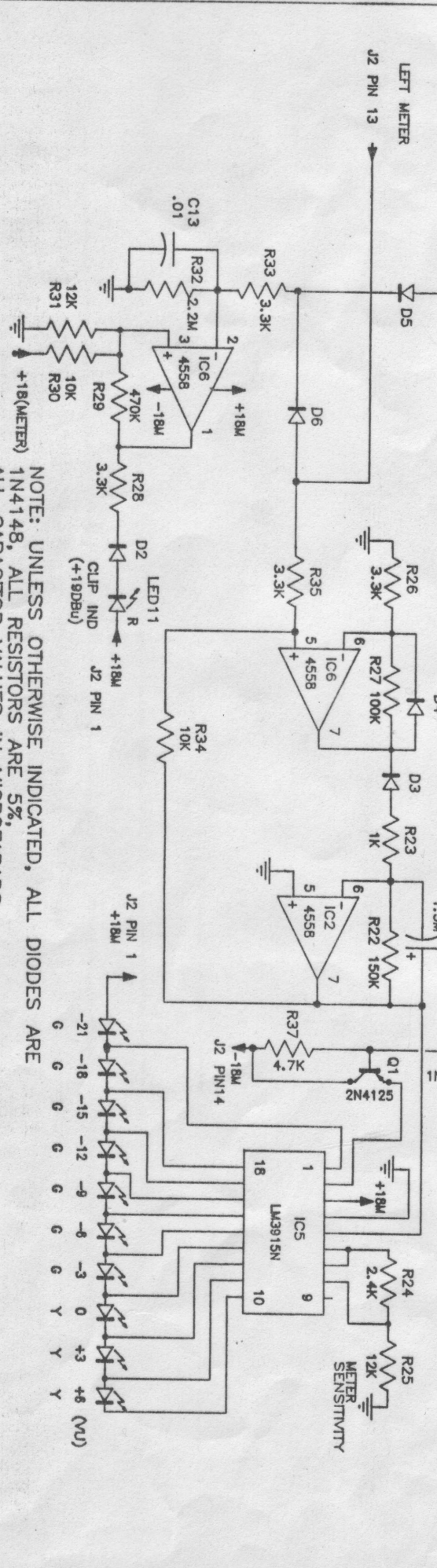
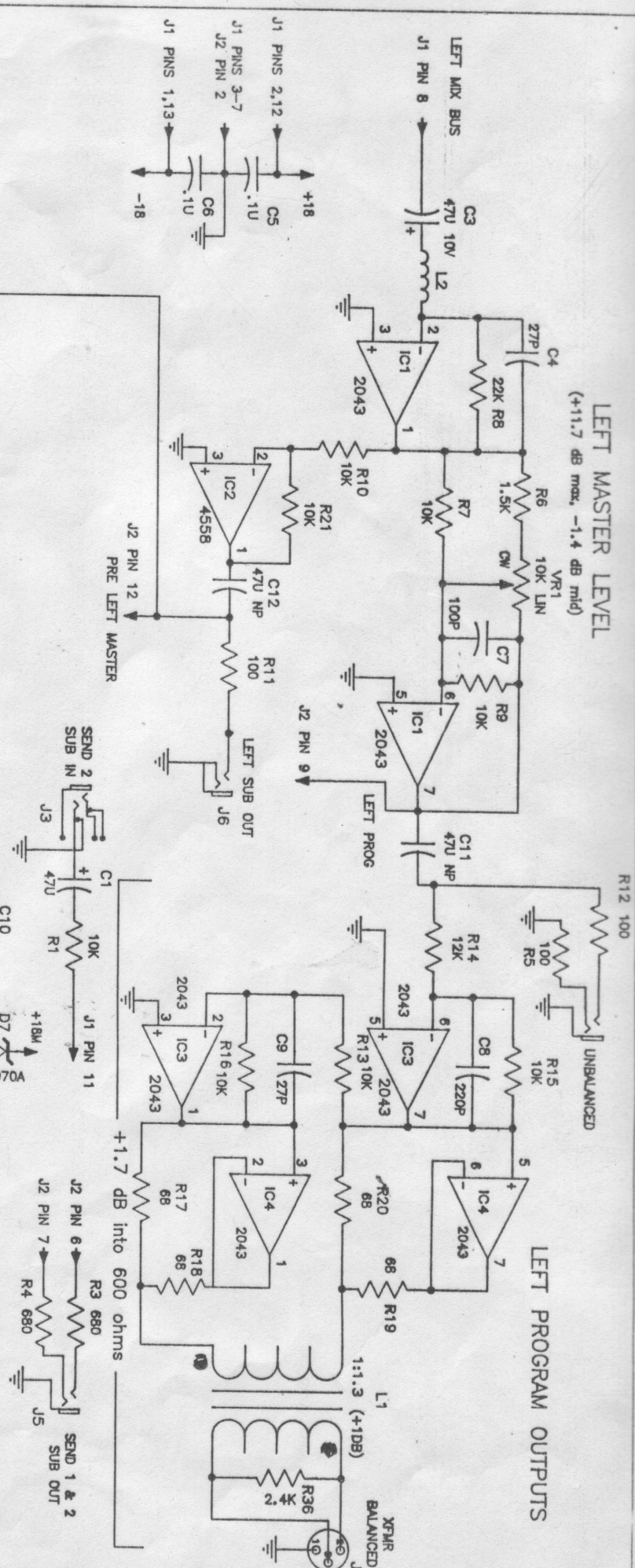
DATE: 3-20-91

APPROVED: *G. Jeff*

SCALE: NONE

SHEET 1 OF 1

LEFT MASTER LEVEL
(+11.7 dB max, -1.4 dB mid)



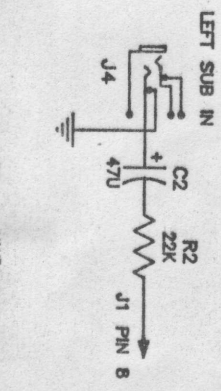
NOTE: UNLESS OTHERWISE INDICATED, ALL DIODES ARE 1N4148, ALL RESISTORS ARE 5%, ALL CAPACITOR VALUES IN MICROFARADS.

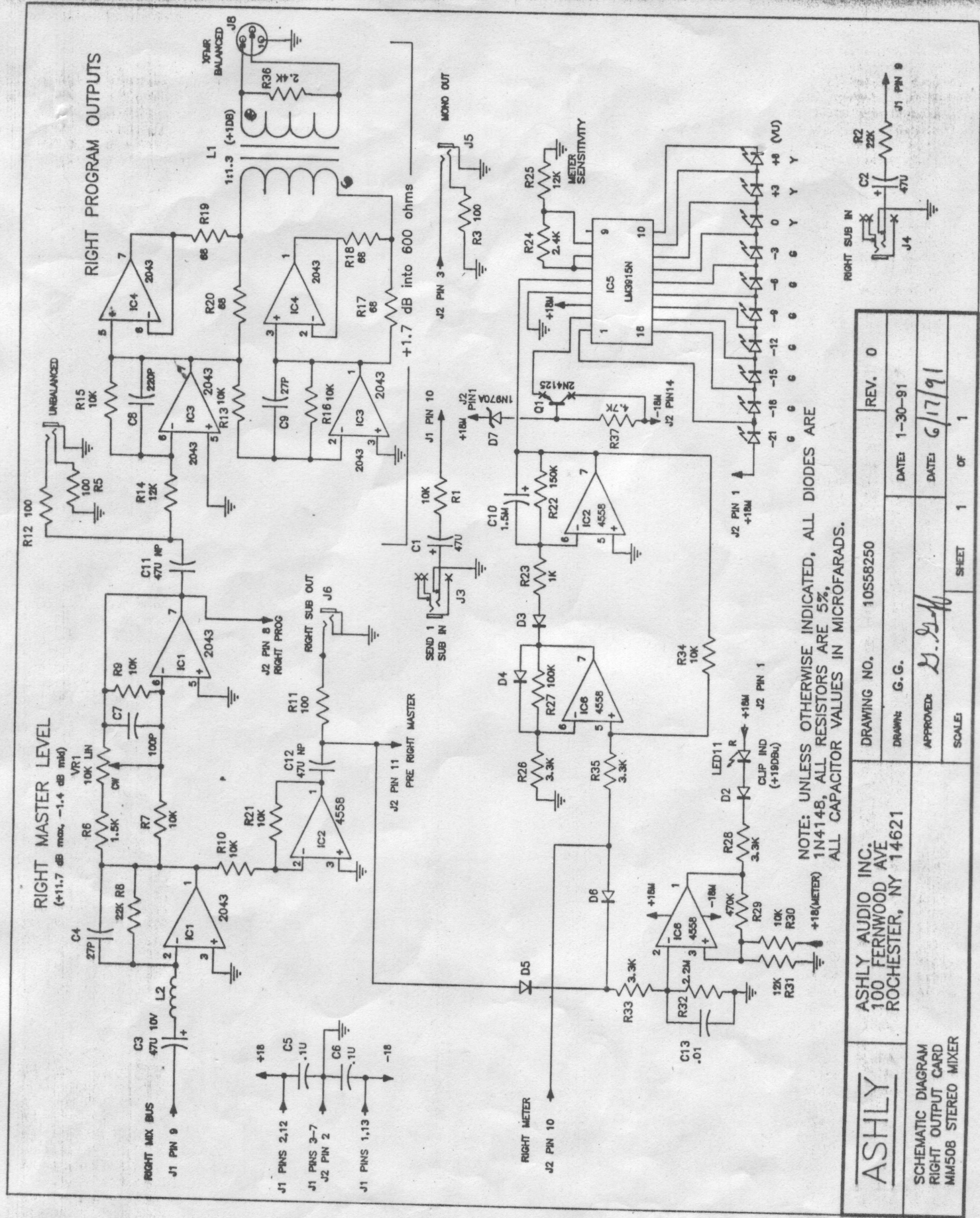
ASHLY

ASHLY AUDIO INC.
100 FERNWOOD AVE.
ROCHESTER, NY 14621

SCHEMATIC DIAGRAM
LEFT OUTPUT CARD
MM508 STEREO MIXER

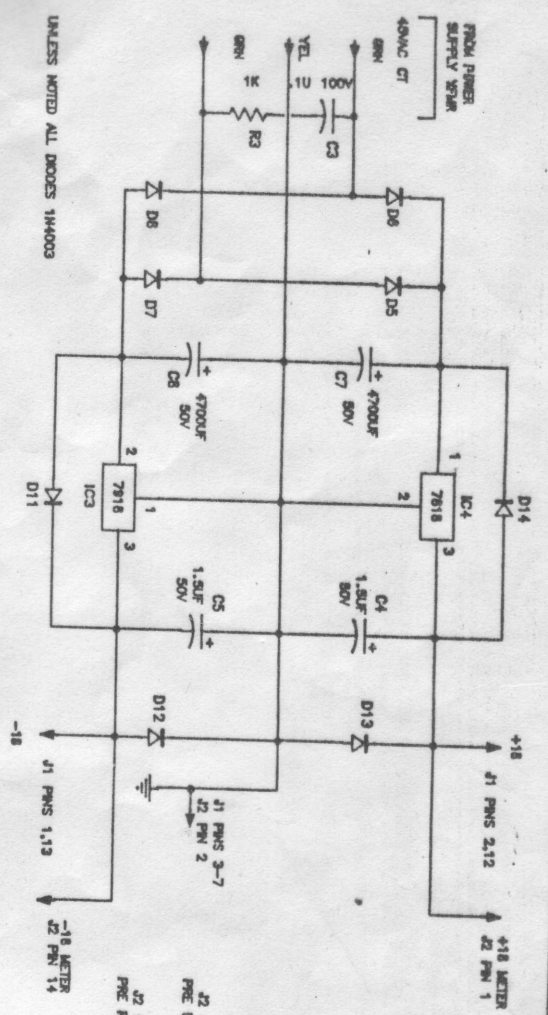
DRAWING NO.	10SS8200	REV.	0
DATE:	1-30-91	DATE:	6/17/91
APPROVED:	<i>B. G. G.</i>	DATE:	6/17/91
DRAWN:	G.G.	DATE:	6/17/91
SCALE:		SHEET	1 OF 1



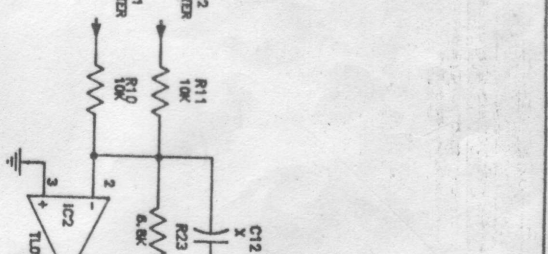


NOTE: UNLESS OTHERWISE INDICATED, ALL DIODES ARE 1N4148, ALL RESISTORS ARE 5%, ALL CAPACITOR VALUES IN MICROFARADS.

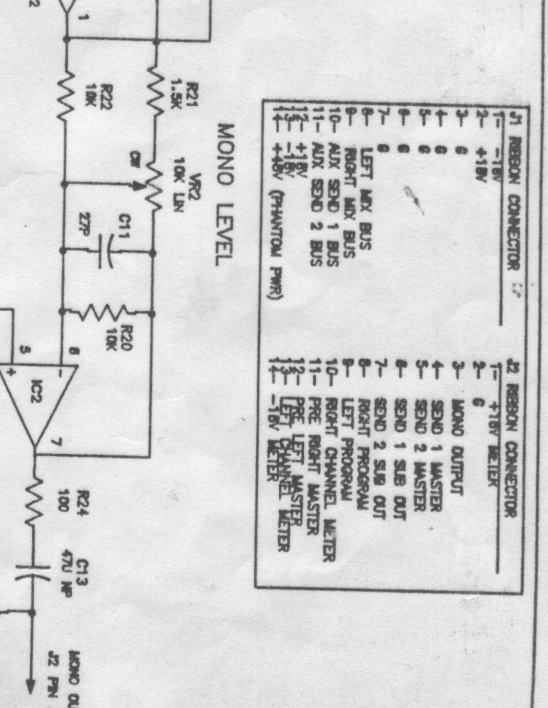
	DRAWING NO. 10S58250	REV. 0
	DRAWING G.G.	DATE: 1-30-91
	APPROVED: <i>D. G. Giff</i>	DATE: 6/17/91
ASHLY AUDIO INC. 100 FERNWOOD AVE ROCHESTER, NY 14621		SHEET 1 OF 1
SCHEMATIC DIAGRAM RIGHT OUTPUT CARD MM508 STEREO MIXER		



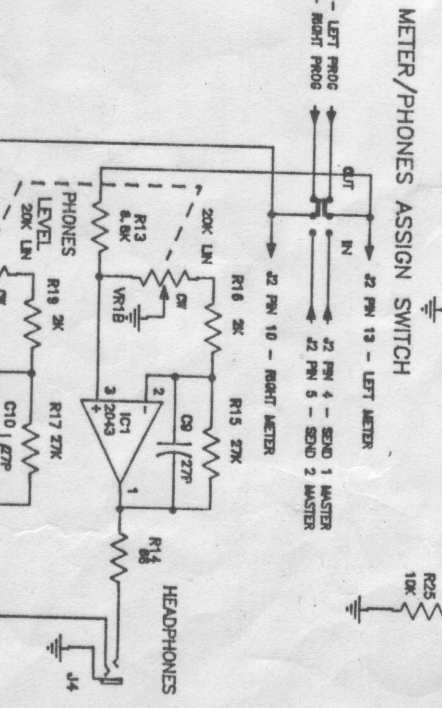
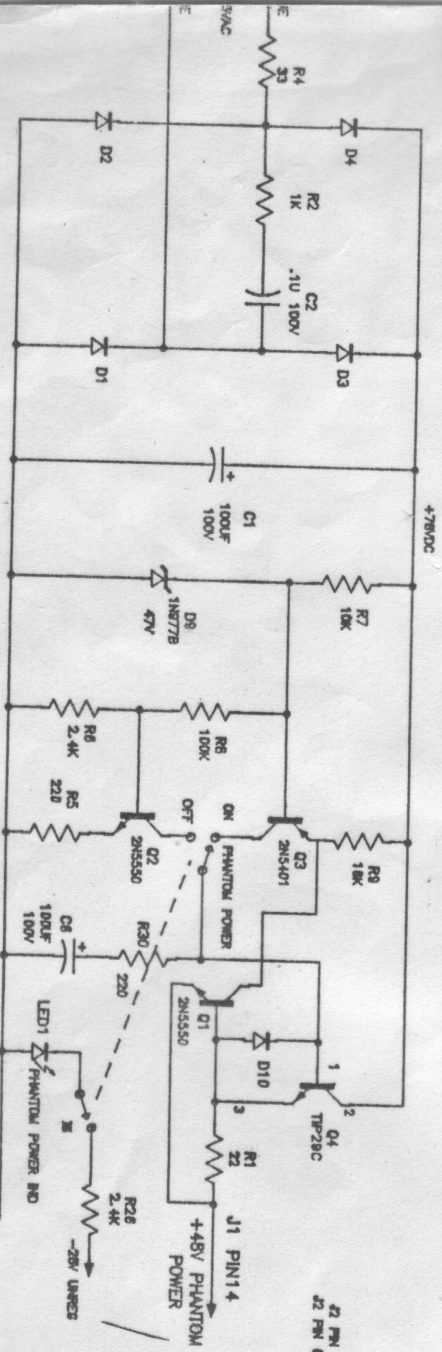
UNLESS NOTED ALL DIODES 1N4003



METER/PHONES ASSIGN SWITCH



J1 REBORN CONNECTOR		J2 REBORN CONNECTOR	
1	-18V	1	+18V METER
2	+18V	2	MONO OUTPUT
3	MONO OUTPUT	3	SEND 1 MASTER
4	SEND 1 MASTER	4	SEND 2 MASTER
5	SEND 2 MASTER	5	SEND 1 SUB OUT
6	SEND 2 SUB OUT	6	SEND 2 SUB OUT
7	LEFT MIX BUS	7	RIGHT PROGRAM
8	RIGHT MIX BUS	8	LEFT PROGRAM
9	AUX SEND 1 BUS	9	RIGHT CHANNEL METER
10	AUX SEND 2 BUS	10	LEFT CHANNEL METER
11	+18V (PHANTOM POWER)	11	PRE LEFT METER
12	-18V	12	PRE RIGHT METER



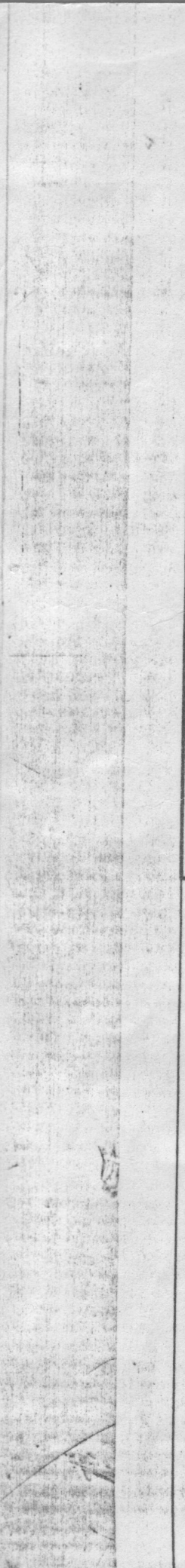
ASHLY
 ASHLY AUDIO INC.
 100 FERNWOOD AVE
 ROCHESTER, NY 14621

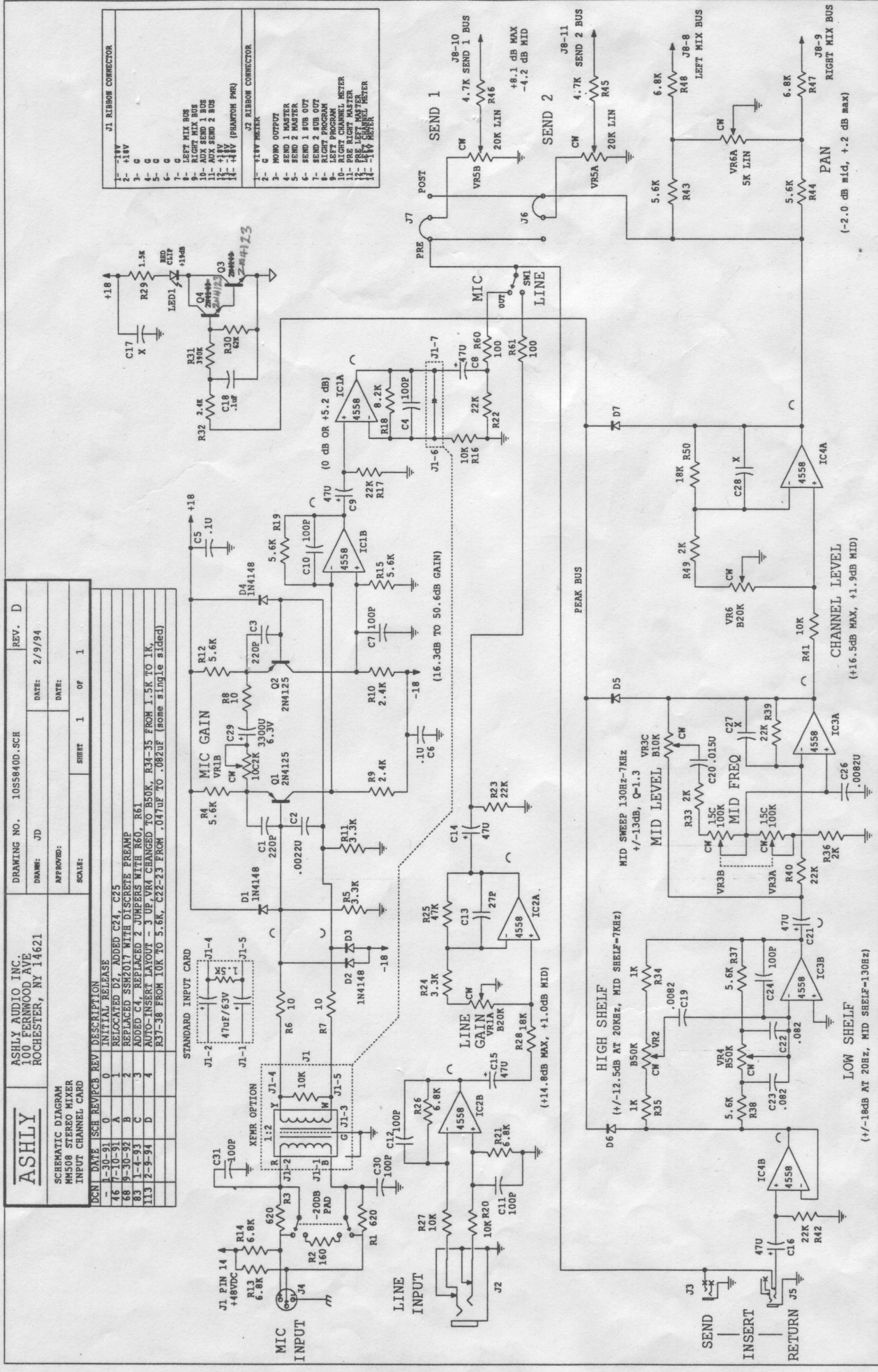
DRAWING NO. 10SS8100
 REV. 0

DATE 1-30-91
 DATE 6/17/91

SCALE 1 OF 1

NOTE: UNLESS OTHERWISE INDICATED, ALL DIODES ARE 1N4003 ALL RESISTORS ARE 5% ALL CAPACITOR VALUES IN MICROFARADS.





ASHLY		DRAWING NO. 1055840D.SCH		REV. D	
ASHLY AUDIO INC. 100 FERRWOOD AVE. ROCHESTER, NY 14621		DATE: 2/9/94			
SCHEMATIC DIAGRAM MM508 STEREO MIXER INPUT CHANNEL CARD		DATE:			
DCN DATE TSCH REV PCB REV DESCRIPTION		SCALE: SUBST 1 OF 1			
1	1-30-91	0	INITIAL RELEASE		
2	2-10-91	A	RELOCATED DZ1, ADDED C24, C25		
3	3-10-91	B	REPLACED SEND 1 WITH DISCRETE PREAMP		
4	4-10-91	C	REPLACED SEND 2 WITH DISCRETE PREAMP		
5	5-10-91	D	AUTO-INSERT LAZYOUT 2 W/VR4 CHANGED TO 50K, R24-35 FROM 1.5K TO 1K		
6	6-10-91		AUTO-INSERT LAZYOUT 2 W/VR4 CHANGED TO 50K, R24-35 FROM 1.5K TO 1K		
7	7-9-94		R37-38 FROM 10K TO 5.6K, C22-23 FROM .047UF TO .022UF (some single sided)		

- J1 RIBBON CONNECTOR**
- 1- +18V
 - 2- +18V
 - 3- G
 - 4- G
 - 5- G
 - 6- G
 - 7- G
 - 8- LEFT MIX BUS
 - 9- RIGHT MIX BUS
 - 10- AUX SEND 1 BUS
 - 11- AUX SEND 2 BUS
 - 12- +18V
 - 13- +18V
 - 14- +18V (PEANUT PWR)
- J2 RIBBON CONNECTOR**
- 1- +18V MASTER
 - 2- G
 - 3- HOWO OUTPUT
 - 4- SEND 1 MASTER
 - 5- SEND 2 MASTER
 - 6- SEND 1 SUB OUT
 - 7- SEND 2 SUB OUT
 - 8- RIGHT PROGRAM
 - 9- LEFT PROGRAM
 - 10- RIGHT CHANNEL METER
 - 11- LEFT CHANNEL METER
 - 12- PRE LEFT MASTER
 - 13- PRE RIGHT MASTER
 - 14- PRE MASTER

(-2.0 dB mid, +2 dB max)

CHANNEL LEVEL
(+16.5dB MAX, +1.9dB MID)

LOW SHELVE
(+/-18dB AT 20Hz, MID SHELVE=130Hz)