

ASHLY

ASHLY AUDIO INC.
847 HOLT ROAD
WEBSTER, NY 14580-9103

DRAWING NO. 10S5814B.SCH REV. B

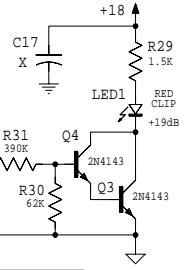
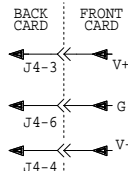
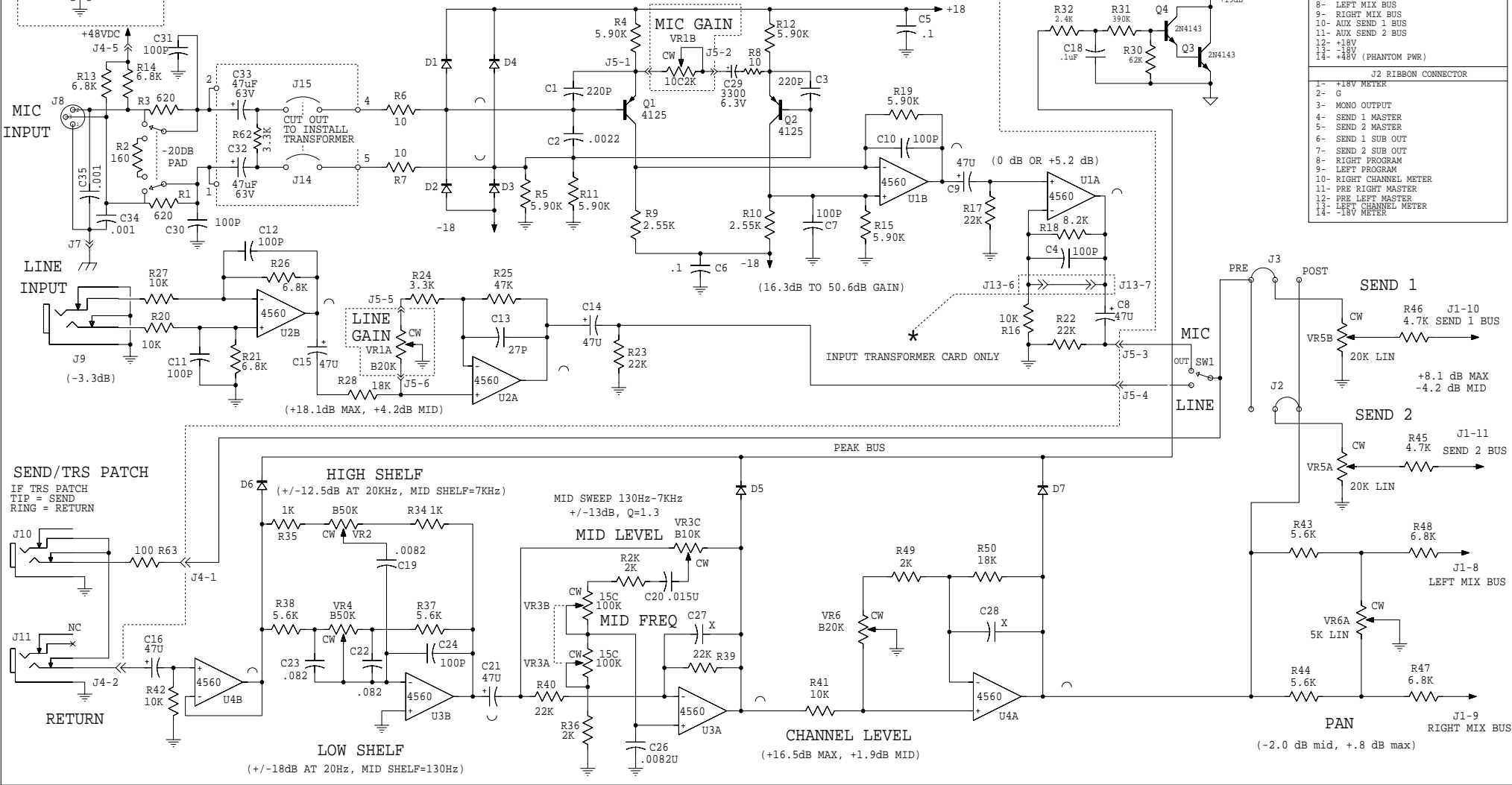
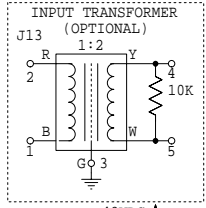
DRAWN: JD DATE: 5-16-97

SCHEMATIC DIAGRAM
MX508 STEREO MIXER
INPUT CHANNEL CARD

APPROVED: DATE:

SCALE: SHEET 1 OF 1

DCN	DATE	SCH REV	PCB REV	DESCRIPTION
-	4-11-96	5814-A	5814-1	INITIAL RELEASE - SPLIT INPUT CARD
403	5-16-97	5814-B	5814-1	FIXED SEND/RETURN LOOP - MANUAL FILM FIX FOR PCB - NO PCB #REV



J1 RIBBON CONNECTOR

- 18V
- +18V
- G
- G
- G
- G
- G
- LEFT MIX BUS
- RIGHT MIX BUS
- AUX SEND 1 BUS
- AUX SEND 2 BUS
- +18V
- +18V
- +48V (PHANTOM PWR)

J2 RIBBON CONNECTOR

- +18V METER
- G
- MONO OUTPUT
- SEND 1 MASTER
- SEND 2 MASTER
- SEND 1 SUB OUT
- SEND 2 SUB OUT
- RIGHT PROGRAM
- LEFT PROGRAM
- RIGHT CHANNEL METER
- PRE RIGHT MASTER
- PRE LEFT MASTER
- LEFT CHANNEL METER
- 18V METER

