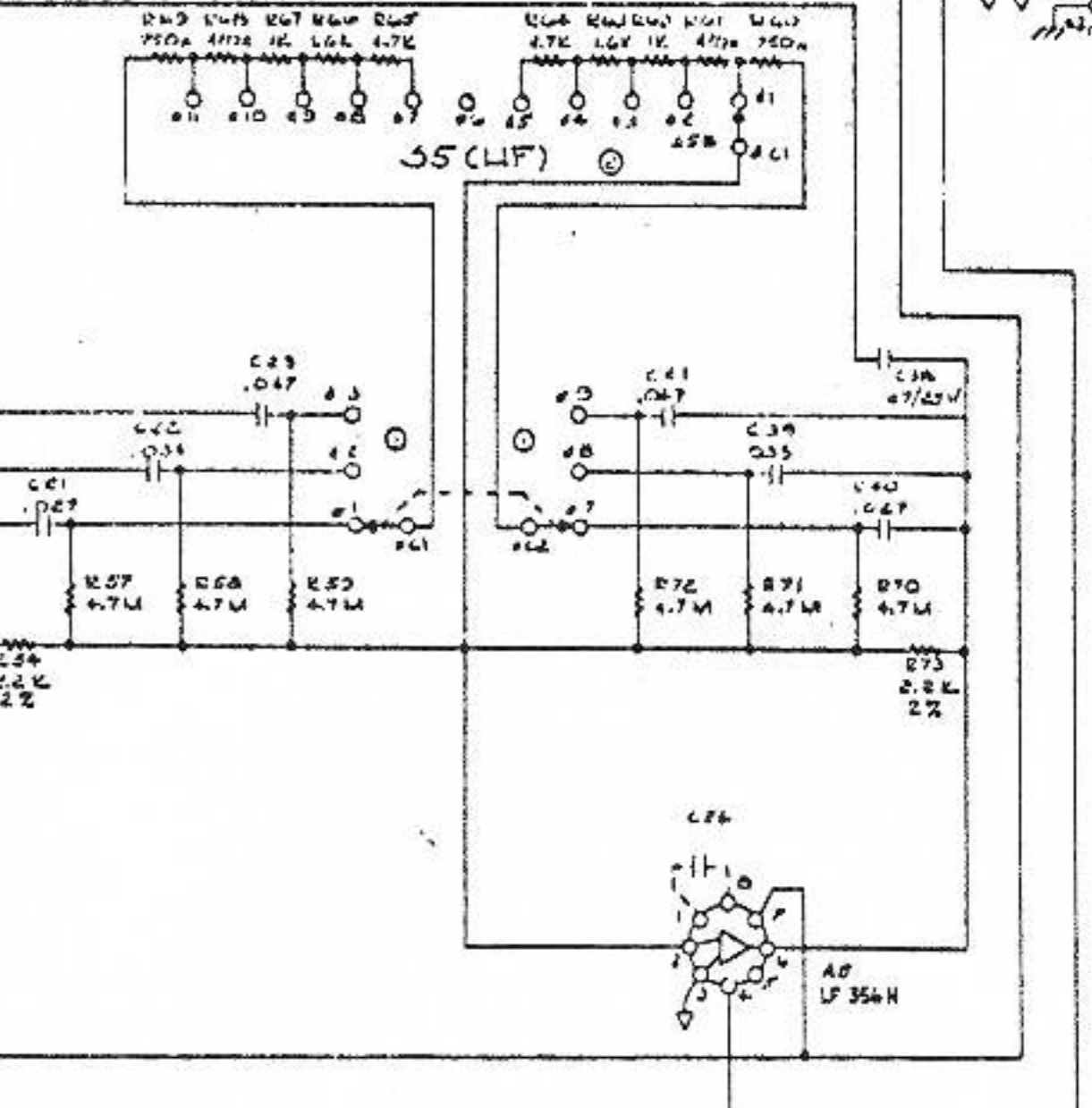
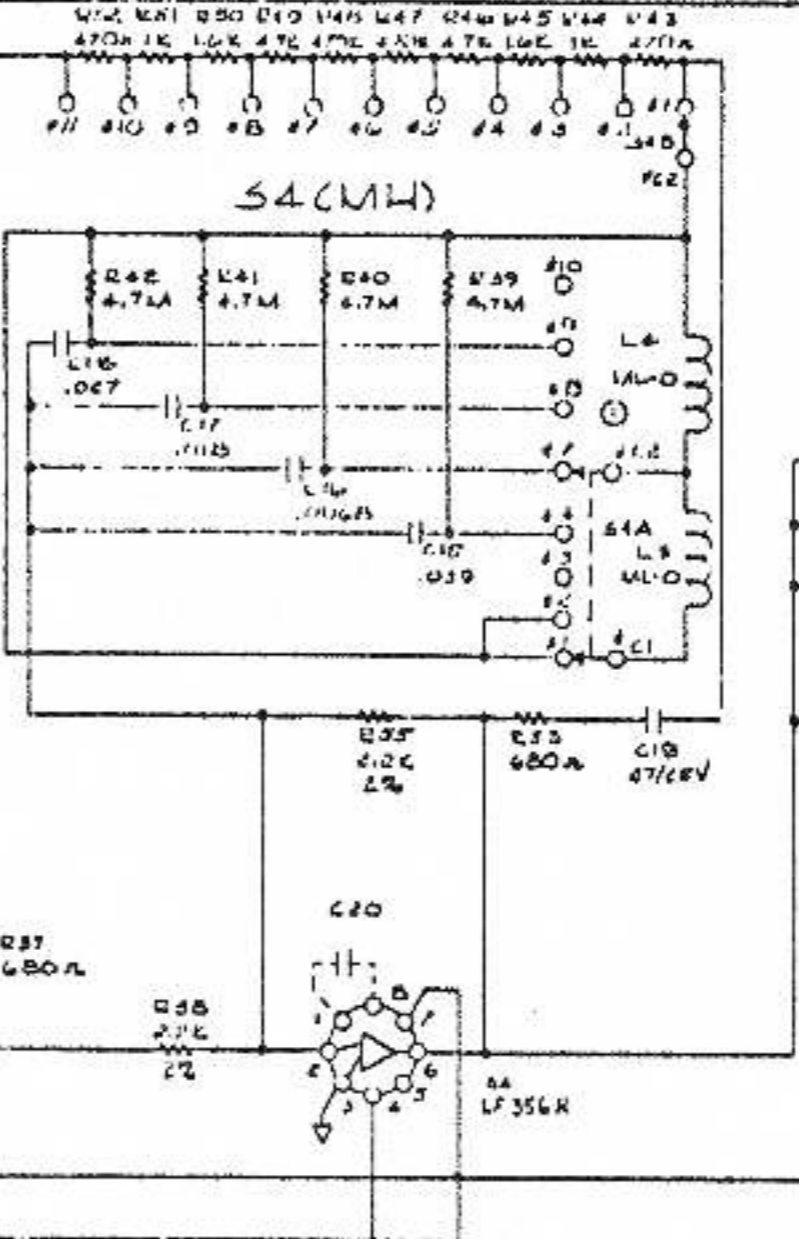
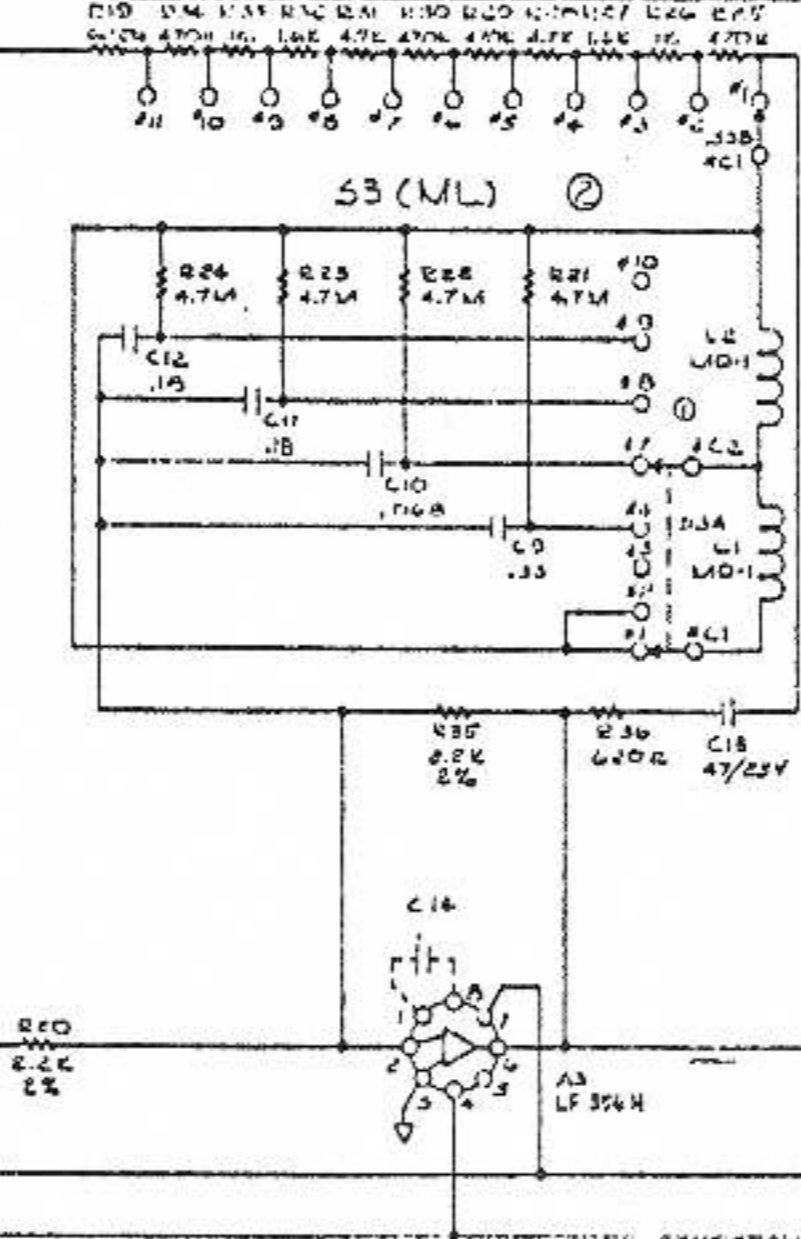
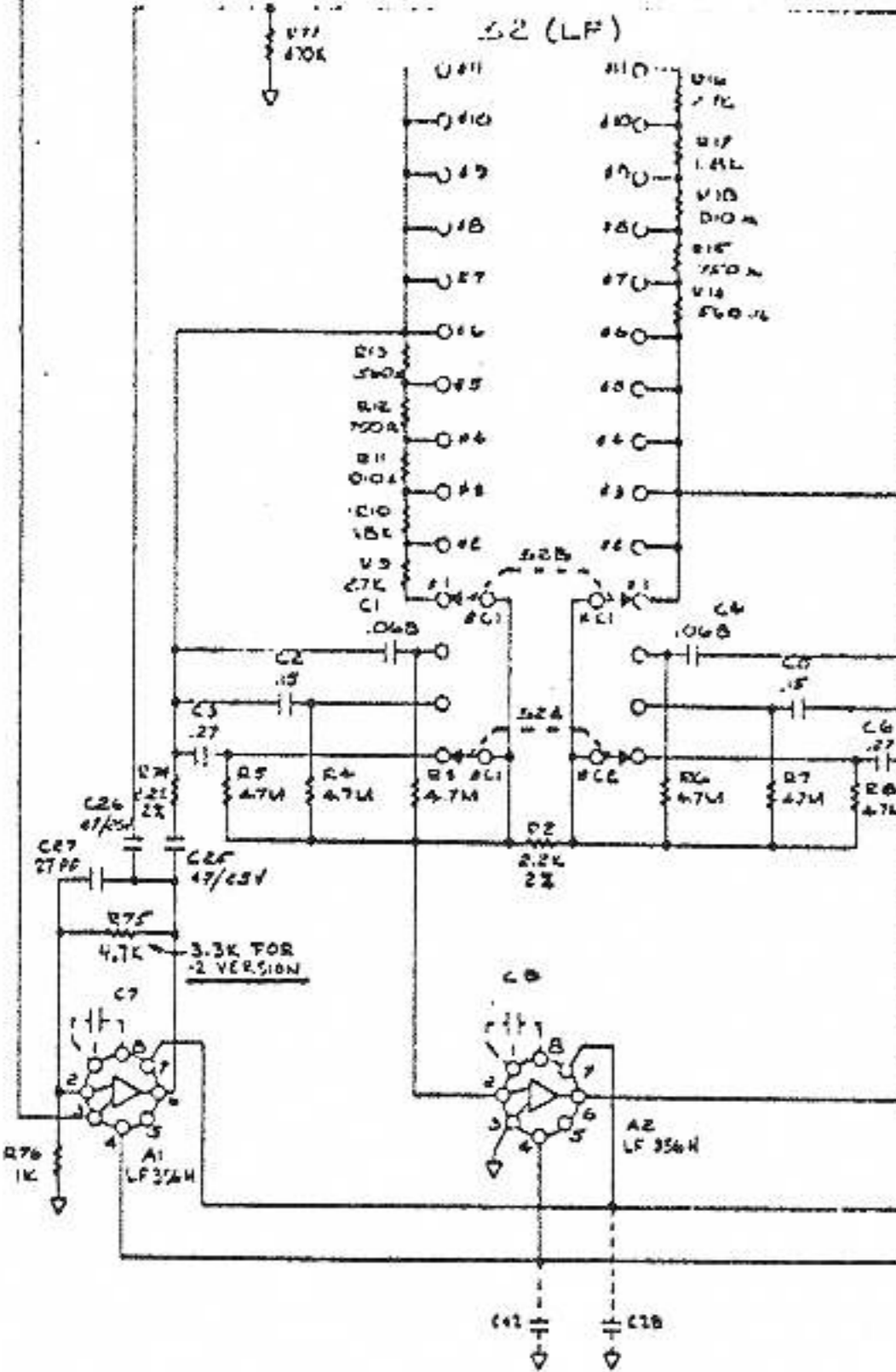
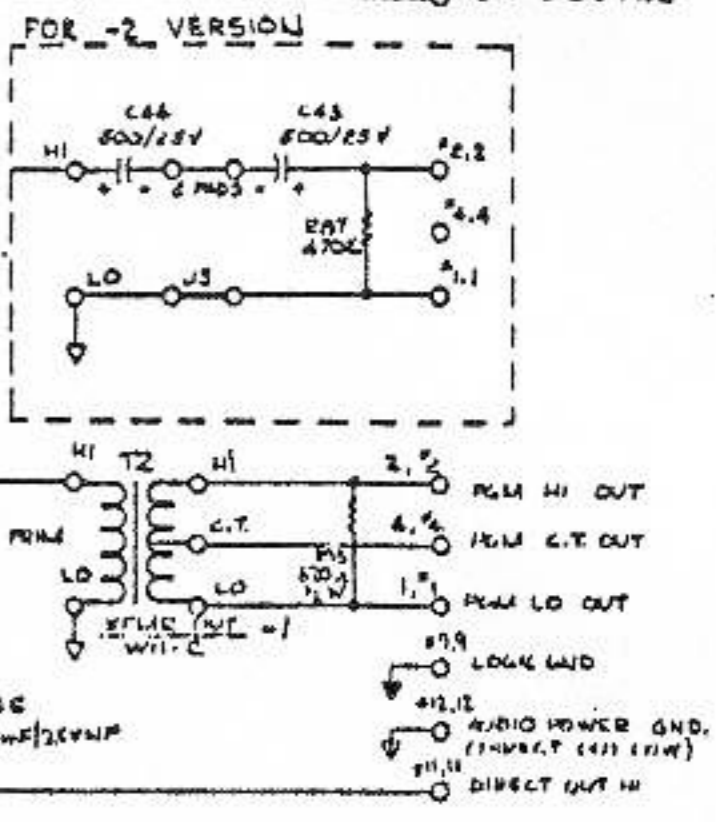
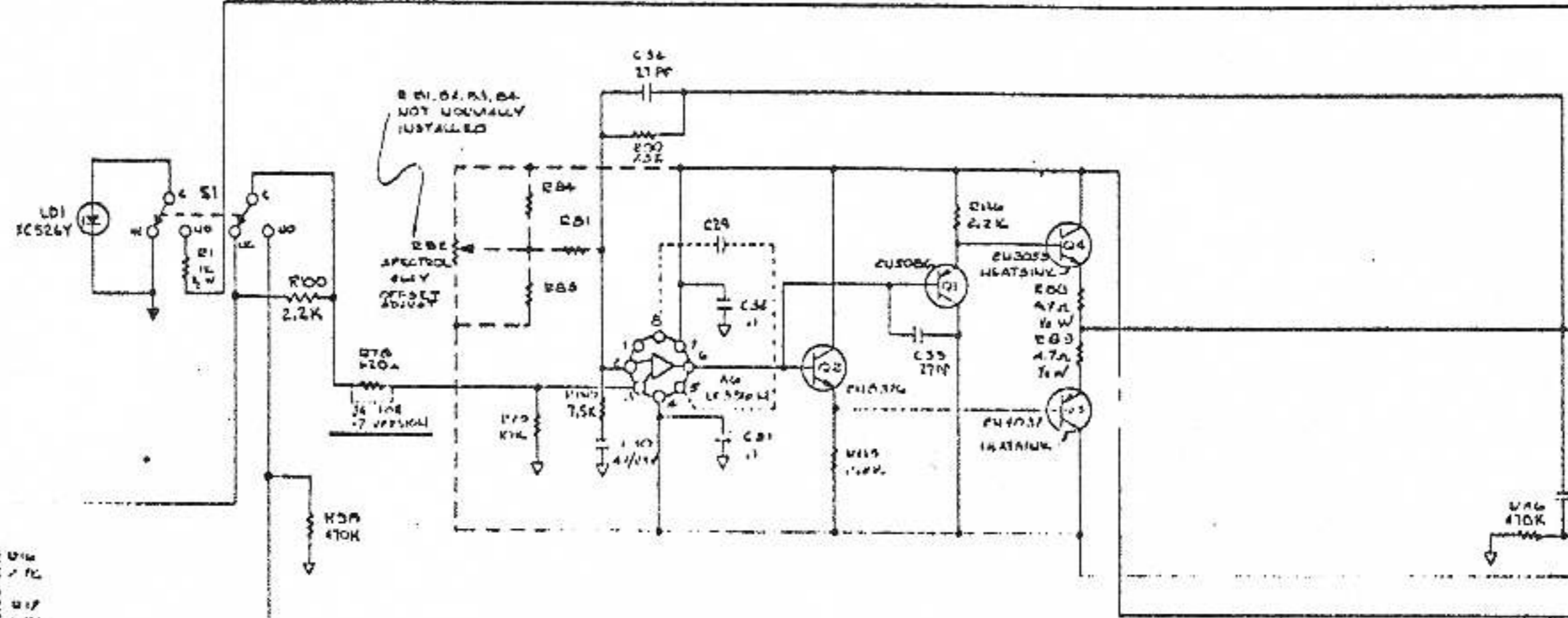
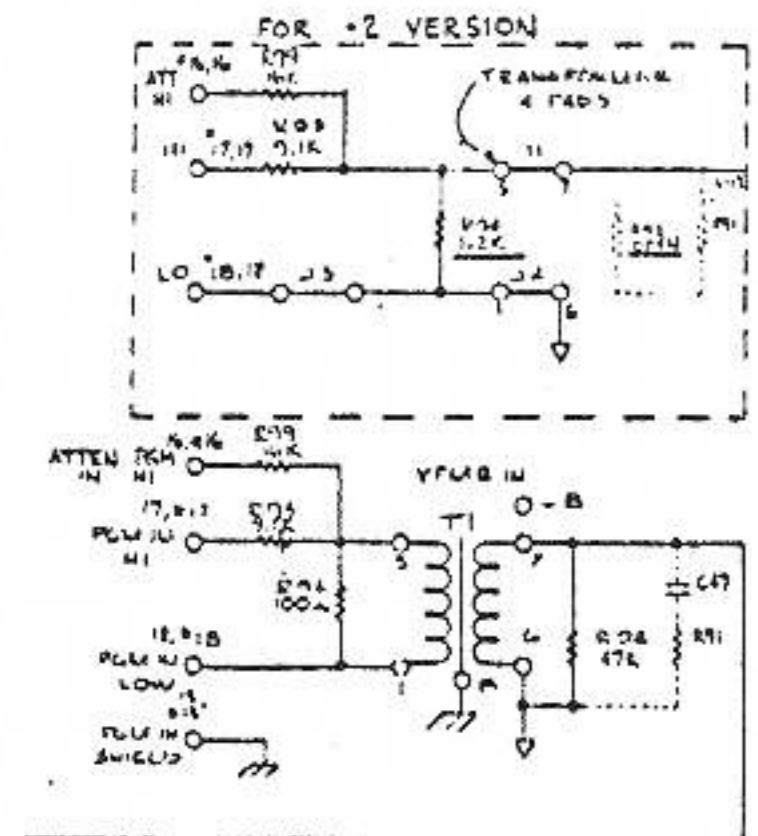


DATE	REV	BY	CHK	DESCRIPTION
7/15/55	A	AT	DE	TRANSFORMER CHANGES, V1
10/12/55	B	RG	ML	PROTOTYPE REVISIONS
11/15/55	C	ATP	ML	REVISIONS TO Schematic
1/15/56	D	ATP	ML	REVISIONS TO Schematic



REFERENCE DESIGNATOR CHART

REF DESIG	LAST	NOT
R	R100	
C	C47	
L	L1	
J	J1	
A	A4	

- NOTES:
- 1) ALL RESISTORS 1/4 W 5% UNLESS OTHERWISE SPECIFIED.
 - 2) ALL CAPACITORS 1/4 W UNLESS OTHERWISE SPECIFIED.
 - 3) ALL COMPONENTS SHOWN DOTTED ARE NOT NORMALLY INSTALLED.

AUDIO DESIGN

QUALITY & SERVICE
1540 10.3109