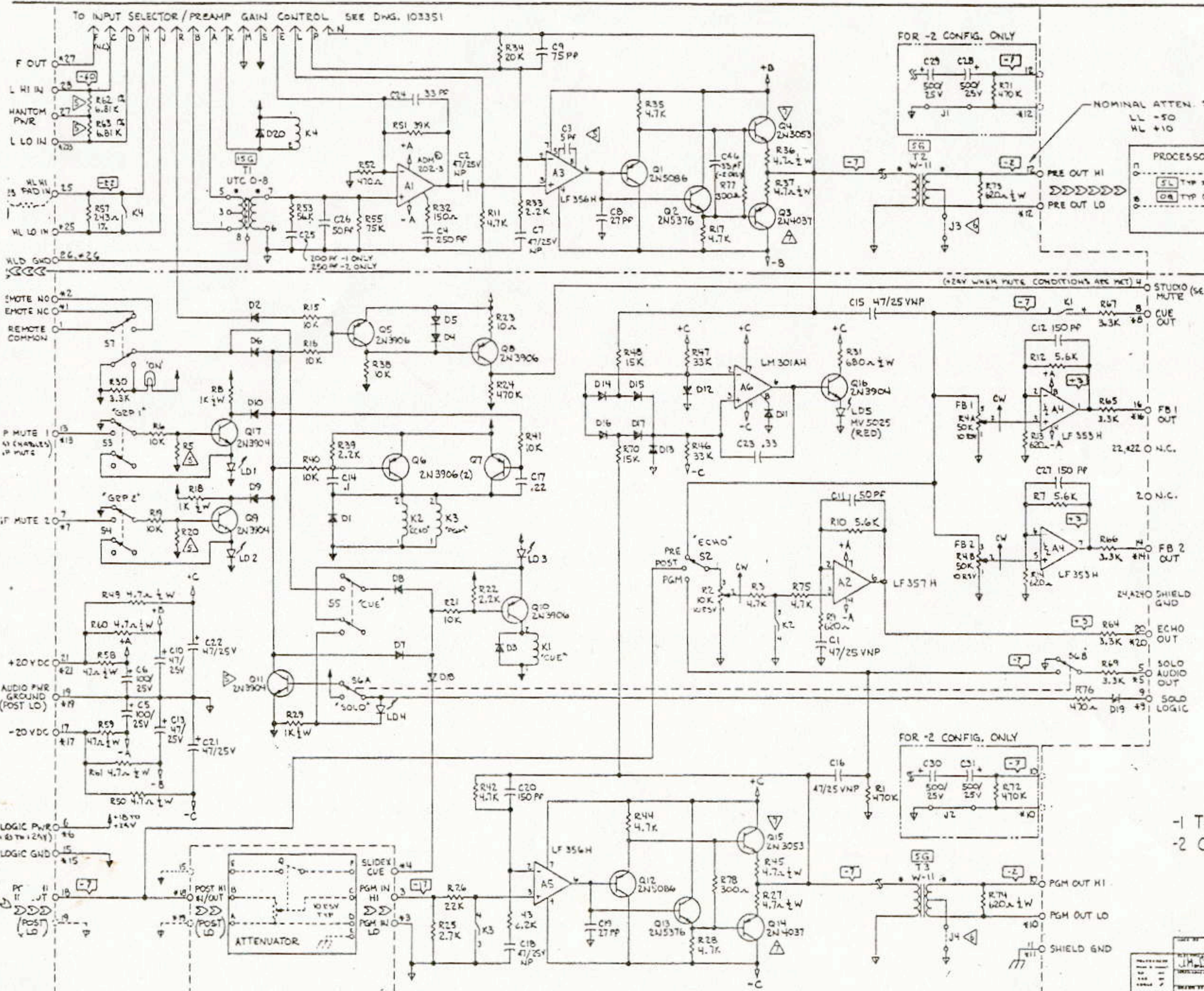
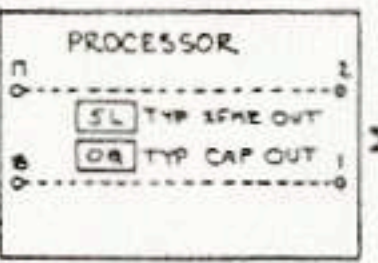


DATE	BY	CHK	CR	CHK OR REVISION
8/7/71			18	EQU RELEASE



NOMINAL ATTEN. SETTINGS:  
LL -50  
HL +10



REFERENCE DESIGNATOR CHART		
REF. DESIG.	LAST	NOT USED
A	6	
C	46	C52-45
D	20	
H	4	
LD	5	
Q	17	
R	78	S9, S6, L6
S	7	
T	5	

NOTES:

- ALL RESISTORS 1/4W 5% UNLESS OTHERWISE SPECIFIED.
- ALL CAPACITORS IN KFD UNLESS OTHERWISE SPECIFIED.
- D11-17 ARE IN4148, ALL OTHERS ARE IN4001.
- LIGHT EMITTING DIODES LD1-4 ARE XCITON XC524Y (YELLOW).
- THIS COMPONENT NOT NORMALLY INSTALLED.
- JUMPERS J3 & J4 NOT NORMALLY INSTALLED.
- THERMAL EQUALIZING LINKS (2) REQ'D BETWEEN Q31/Q4 AND Q14/Q15.
- ALL PINOUTS DESIGNATED WITH AN ASTERISK (\*) ARE FOUND ON FOIL SIDE OF P.C. BOARD.
- FOR DRILL SHT. SEE DWG D 103187 FOR COMPONENT LAYOUT SEE DWG D 103188 FOR BILL OF MATL. SEE DWG D 103189 FOR INPUT SELECTOR/PREAMP GAIN CONTROL SCHEMATIC SEE DWG B 103351
- INDICATES GAIN(+) OR LOSS (-) IN DB.
- INDICATES DB LEVEL
- STUDIO MUTE CONDITIONS:  
A. MODULE 'ON'  
B. MODULE SELECTED TO L.L. INPUT.  
C. SLIDER OUT OF CUE DETENT.  
D. MODULE NOT GROUP MUTED

-1 TRANSFORMER OUTPUT CONFIG.  
-2 CAPACITOR OUTPUT CONFIG.