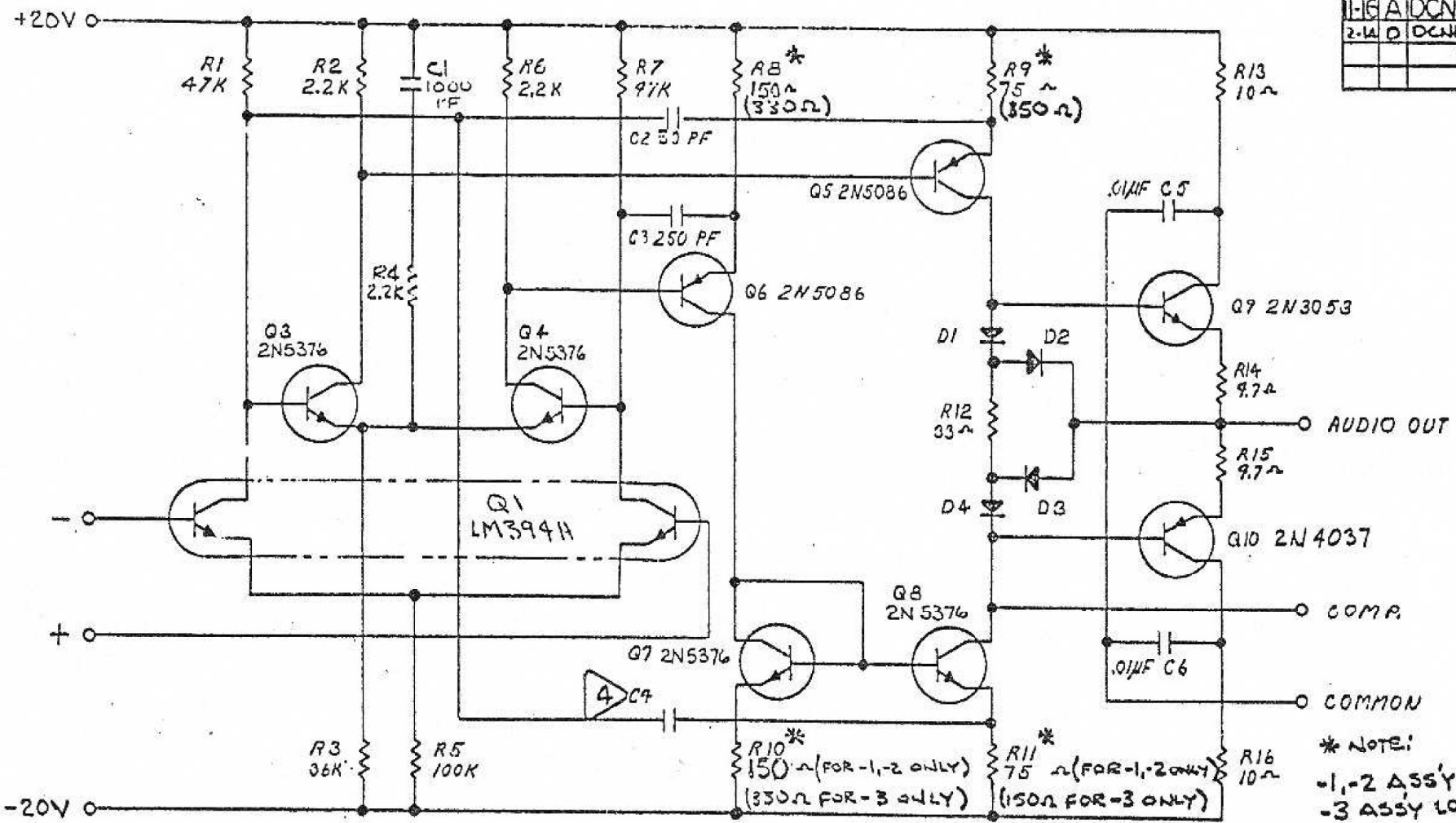


DATE	BY	REVISION RECORD	AUTH.	DR.	CK.
8/9		END PLATE			
1-16	A	DCN 111578	JMA		
2-14	D	DCN 111578			



\* NOTE:  
 -1,-2 ASSY IS STD.  
 -3 ASSY LOW IDLE CURRENT.

COMP	Q	D	R	C
LAST	Q10	D4	R16	C6
NOT USED	Q2	-	-	-

NOTES:  
 1) ALL DIODES IN 4001  
 2) ALL RESISTORS 1/8 WATT ±5%  
 3) ALL CAPACITORS CERAMIC DISC  
 4) THIS COMPONENT NOT NORMALLY INSTALLED.

TOLERANCES (EXCEPT AS NOTED)		AUDIO DESIGNS AND MFG. INC.	
DECIMAL		SCALE	DRAWN BY <i>AMT</i>
±		≈	APPROVED BY <i>J.H.</i> 8/9/72
FRACTIONAL		TITLE	SCHEMATIC ADM202
±		DATE	8/7/72
ANGULAR		DRAWING NUMBER	103076
±		REV	B