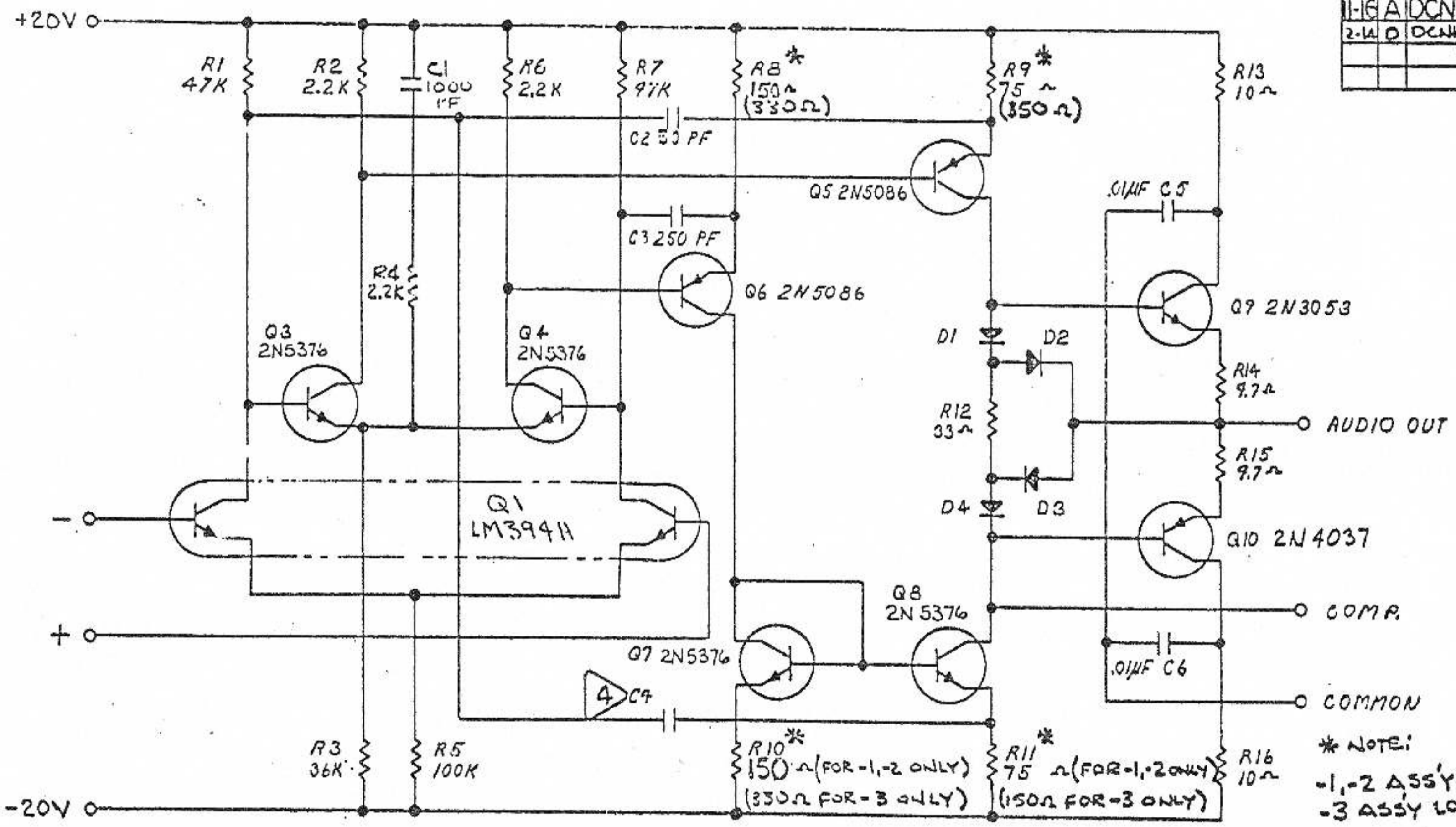


DATE	BY	REVISION RECORD	AUTH.	DR.	CK.
8/9	-	ENG PLANNING	JMA	-	-
1-16	A	DCN 111678	JMA	-	-
2-14	D	DCN 111678-6	-	-	-



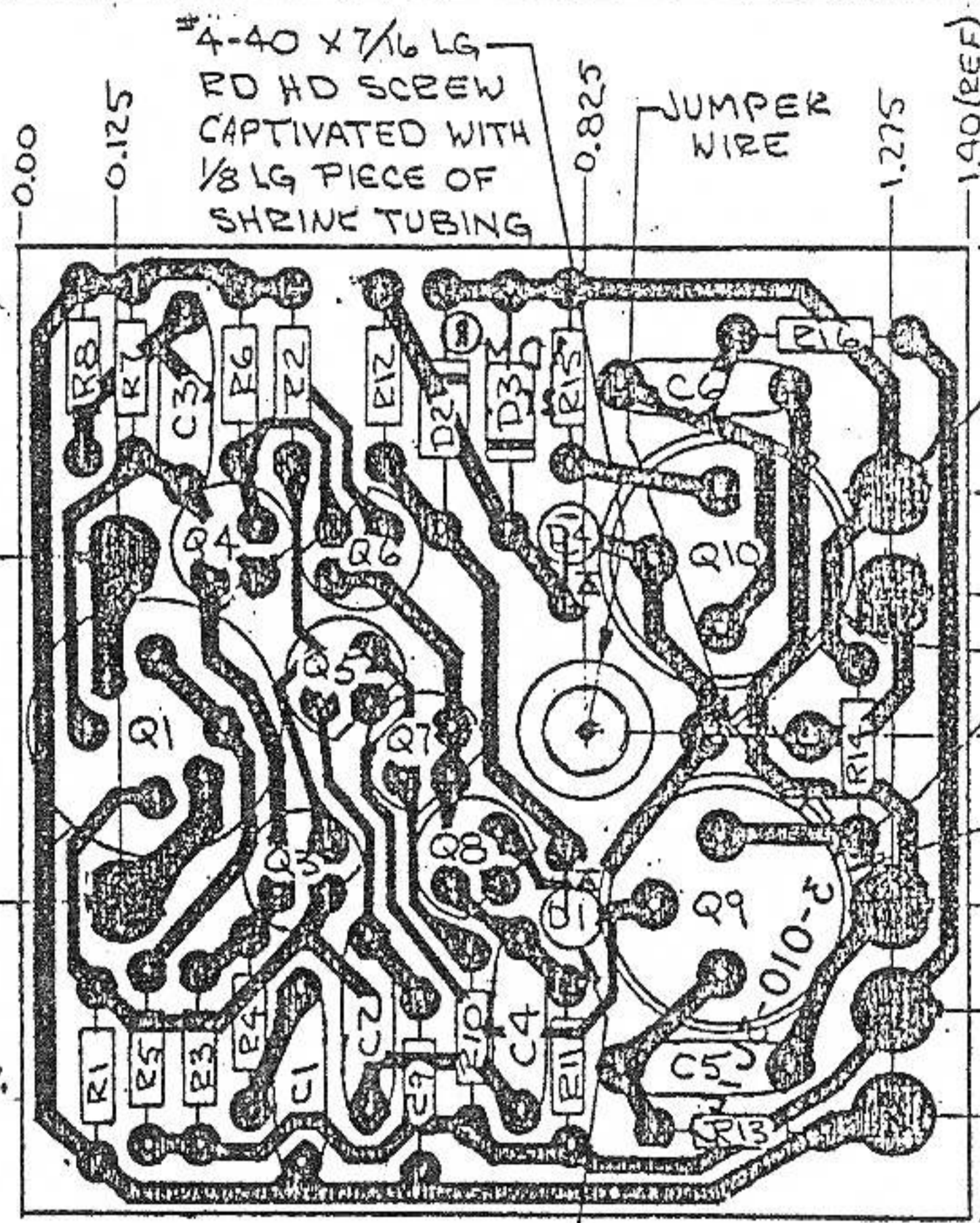
* NOTE:
 -1,-2 ASSY IS STD.
 -3 ASSY LOW IDLE CURRENT.

- NOTES:
- 1) ALL DIODES IN 4001
 - 2) ALL RESISTORS 1/8 WATT ±5%
 - 3) ALL CAPACITORS CERAMIC DISC
 - 4) THIS COMPONENT NOT NORMALLY INSTALLED.

COMP	Q	D	R	C
LAST	Q10	D4	R16	C6
NOT USED	Q2	-	-	-

TOLERANCES (EXCEPT AS NOTED)		AUDIO DESIGNS AND MFG. INC.	
DECIMAL		SCALE	DRAWN BY <i>ALT</i>
±		≈	APPROVED BY <i>J.H. 8/9/72</i>
FRACTIONAL		TITLE	
±		SCHEMATIC ADM 202	
ANGULAR	DATE	DRAWING NUMBER	REV
±	8/7/72	103076	B

DATE	SYM	DR	CK	DCN OR REVISION
8/7/78	B	AT	JM	INC DCN *A080478
9/9/78	B	-	JM	ENG RELEASE
2-14	C			DCN #D 021279-6.



TERMINAL PIN # 1-202-3004, 7 REQD MOUNT FROM FOIL SIDE, SWAGE & SOLDER

(+ INPUT) 0.45

(- INPUT) 0.95

0.35 (AUDIO OUT)

0.50 (COMPENSATION)

Q9 & Q10 TO BE MOUNTED WITH INSULATOR # 1-207-0001

0.70

THERMAL HEAT SINK (WAKEFIELD # 259-S-50)

0.95 (COMMON)

1.10 (-20V)

1.25 (+20V)

1.40 (REF)

R8-R11: 75Ω FOR -1, -2 ASSY, 150Ω FOR -3 ASSY.

REFERENCE DESIGNATOR CHART

REF DESIG	LAST	NOT
C	6	
D	4	
R	16	
Q	10	Q2

MOUNT DIODES D1 & D4 SO THEY ARE TOUCHING TRANSISTOR HEAT SINK, COAT CONTACT AREA WITH THERMAL COMPOUND

TOLERANCES (PLUS & MINUS) .XX .010 .XXX .005 ANGLE 1° (EXCEPT AS NOTED)	USED ON	SCALE 4X
	ELECTRICAL CK. J.H.	DATE 2/9/78
	MECHANICAL CK. DTC	DATE 2-14-78
	DRAWN BY MVB	DATE 2-13-78

MATERIAL:	
FINISH:	
AUDIO DESIGNS and Manufacturing, Inc.	
TITLE COMPONENT LAYOUT	
ADM 202	DRAWING NO. 103075
	REV C