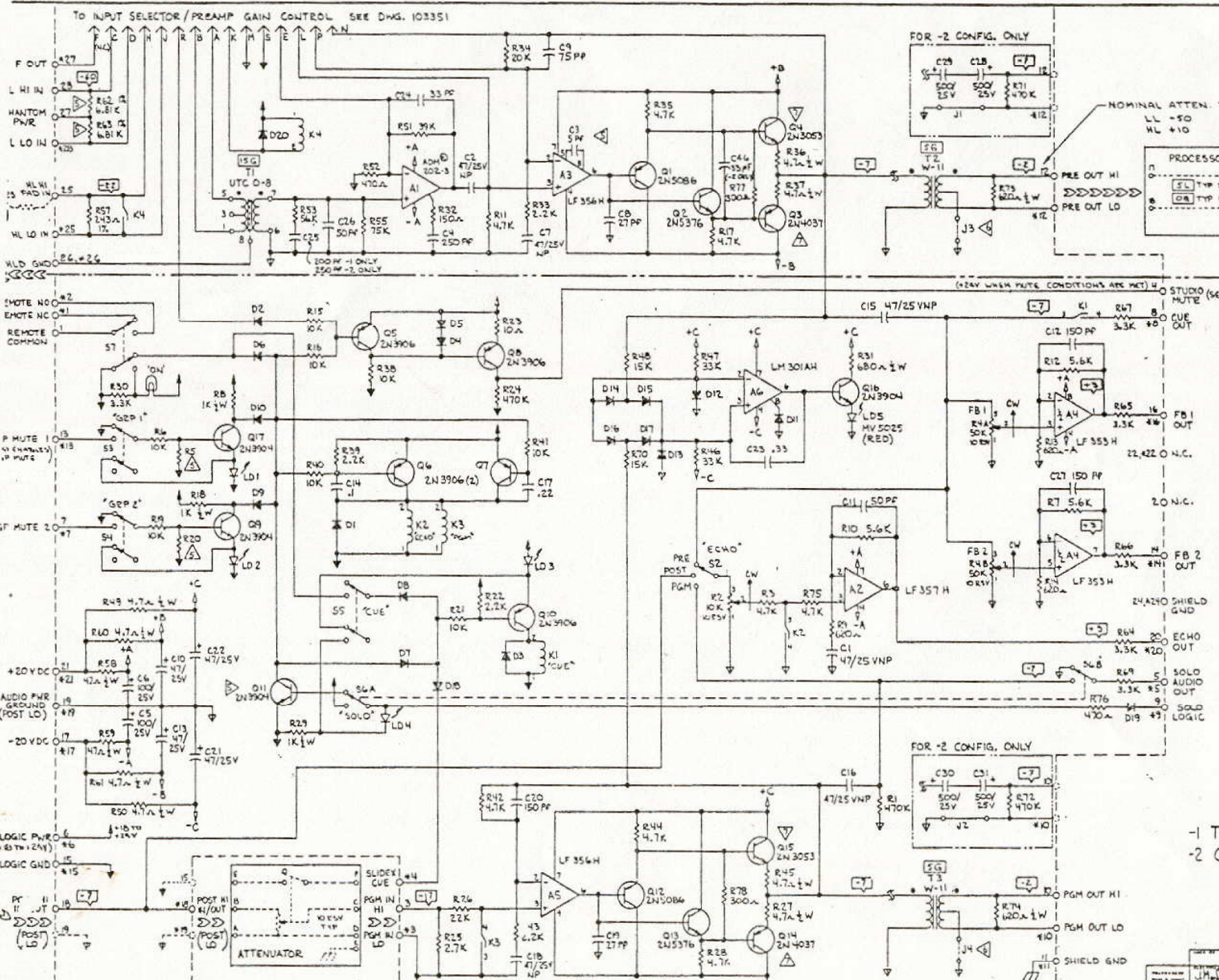


DATE	BY	DR	CR	DCR	OR	REVISION
1/7/71						1 - 18 EQU RELEASE



-1 TRANSFORMER OUTPUT CONFIG.
-2 CAPACITOR OUTPUT CONFIG.