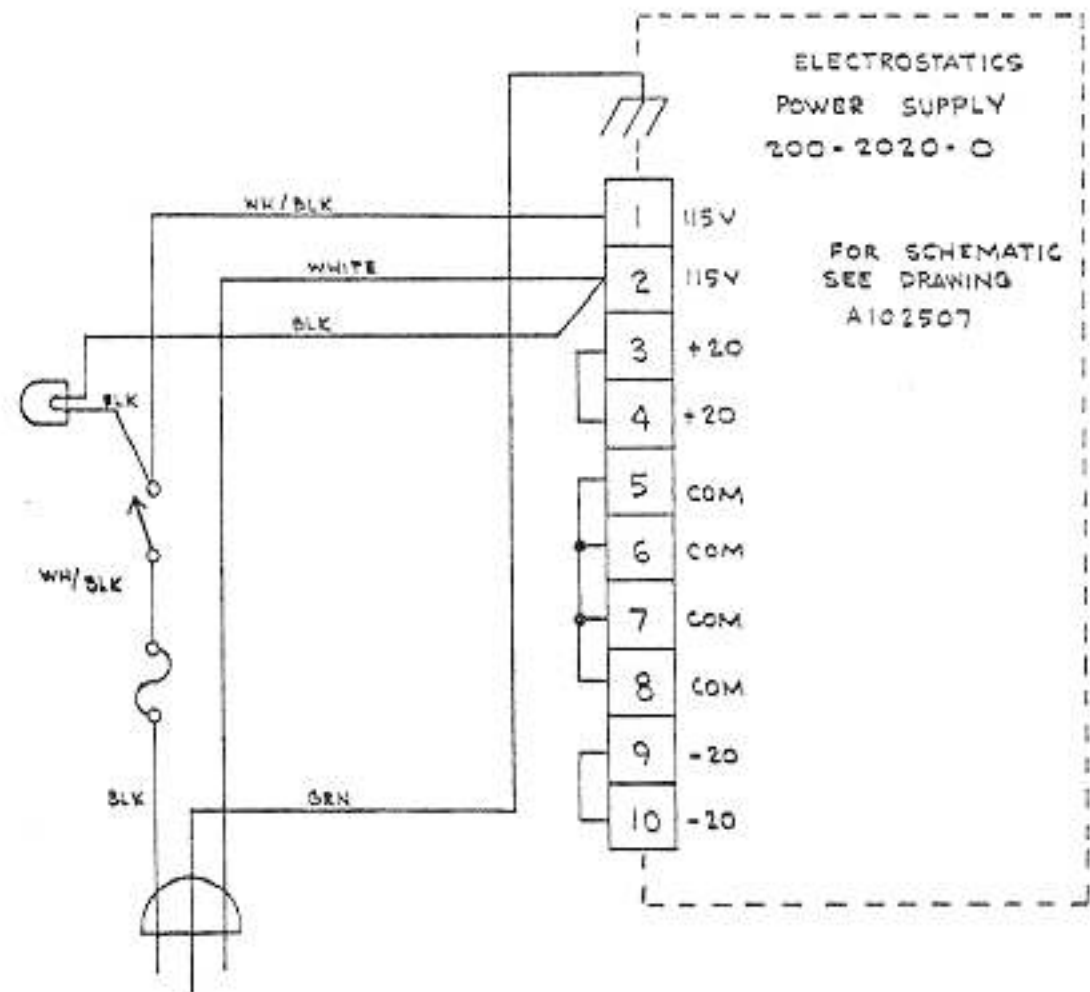


DATE	BY	CHK	REV	REVISIONS



ELECTROSTATICS
POWER SUPPLY
200-2020-0

FOR SCHEMATIC
SEE DRAWING
A102507

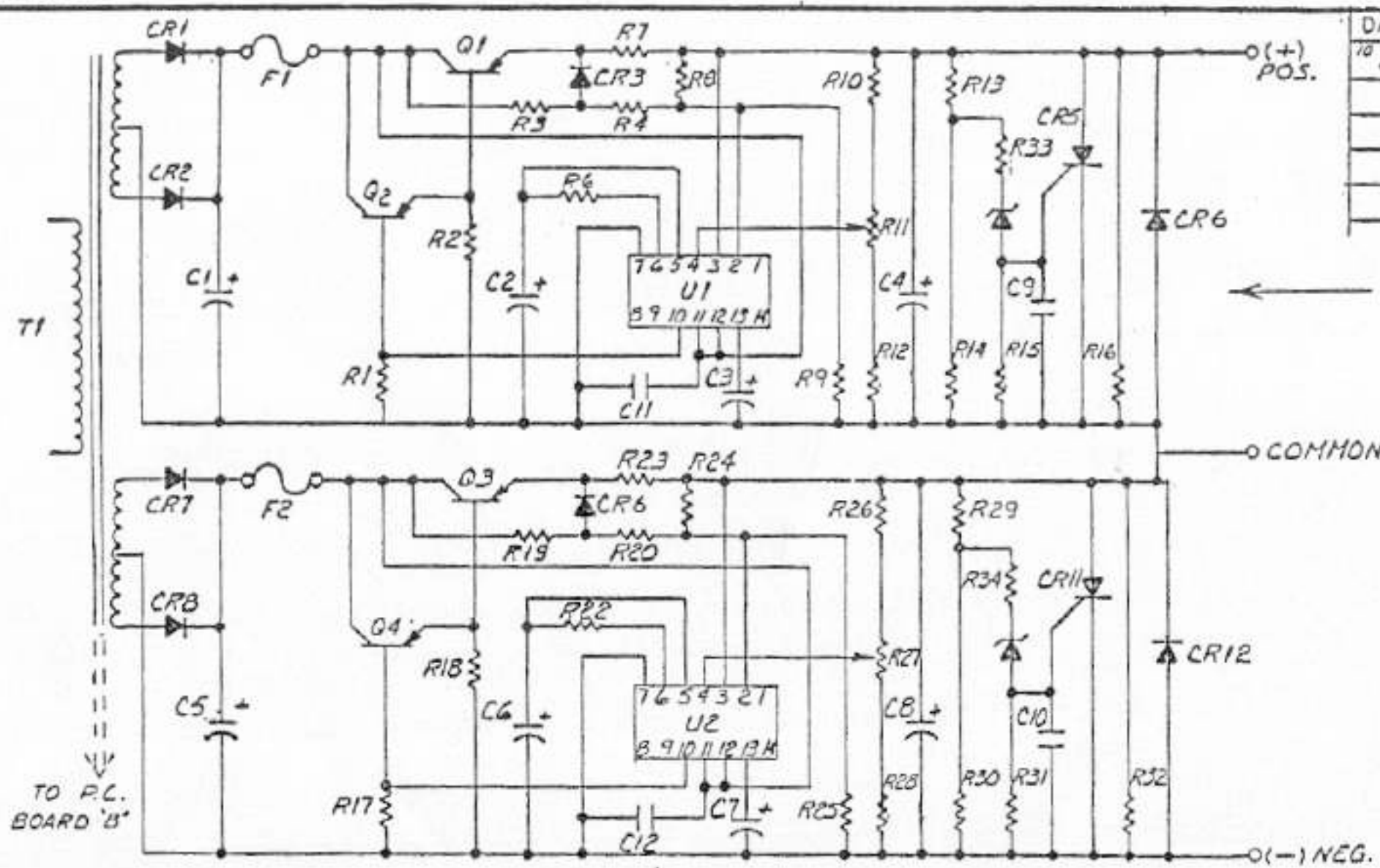
MATERIAL:
 PERMIT: 40 1/14/76
 ENGINEERING RELEASE CH. ENG. DATE
 BUILD AS REQUIRED.

AUDIO DESIGNS
and Manufacturing, Inc.

TITLE: P.S. 20-5 SCHEMATIC

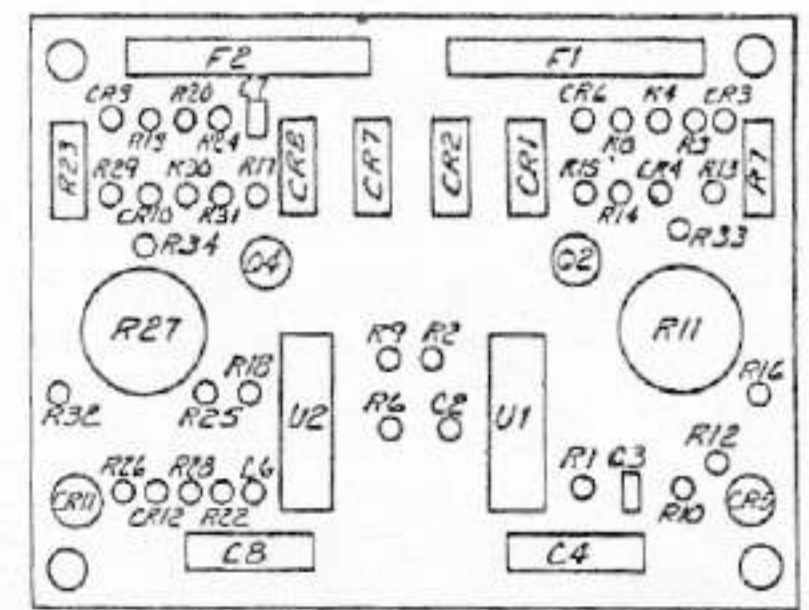
DRAWING NO. 102514

USEFUL ON	SCALE
REVISIONS	DATE
NO. 1	1-19-76
NO. 2	1-16-76
NO. 3	
NO. 4	
NO. 5	
NO. 6	
NO. 7	
NO. 8	
NO. 9	
NO. 10	
NO. 11	
NO. 12	
NO. 13	
NO. 14	
NO. 15	
NO. 16	
NO. 17	
NO. 18	
NO. 19	
NO. 20	
NO. 21	
NO. 22	
NO. 23	
NO. 24	
NO. 25	
NO. 26	
NO. 27	
NO. 28	
NO. 29	
NO. 30	
NO. 31	
NO. 32	
NO. 33	
NO. 34	
NO. 35	
NO. 36	
NO. 37	
NO. 38	
NO. 39	
NO. 40	
NO. 41	
NO. 42	
NO. 43	
NO. 44	
NO. 45	
NO. 46	
NO. 47	
NO. 48	
NO. 49	
NO. 50	
NO. 51	
NO. 52	
NO. 53	
NO. 54	
NO. 55	
NO. 56	
NO. 57	
NO. 58	
NO. 59	
NO. 60	
NO. 61	
NO. 62	
NO. 63	
NO. 64	
NO. 65	
NO. 66	
NO. 67	
NO. 68	
NO. 69	
NO. 70	
NO. 71	
NO. 72	
NO. 73	
NO. 74	
NO. 75	
NO. 76	
NO. 77	
NO. 78	
NO. 79	
NO. 80	
NO. 81	
NO. 82	
NO. 83	
NO. 84	
NO. 85	
NO. 86	
NO. 87	
NO. 88	
NO. 89	
NO. 90	
NO. 91	
NO. 92	
NO. 93	
NO. 94	
NO. 95	
NO. 96	
NO. 97	
NO. 98	
NO. 99	
NO. 100	

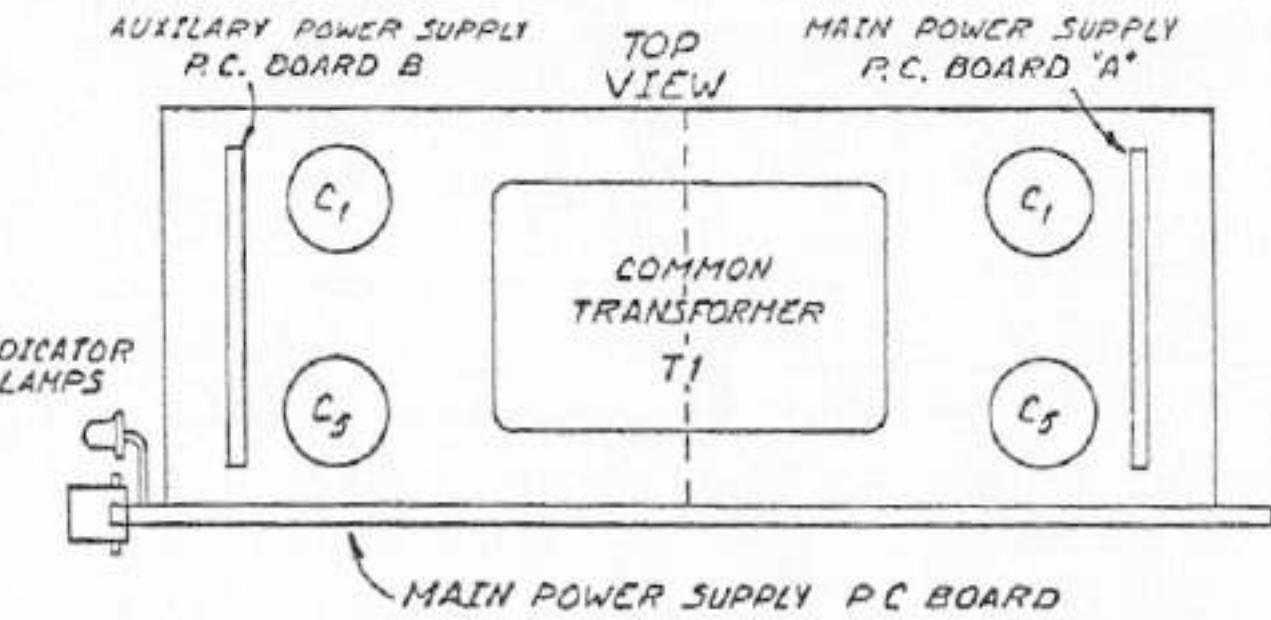


DATE	SYM	DR	CK	DCN OR REVISION
10 27 78	C	SIB	[Signature]	REDRAWN

← SHOWN SCHEMATIC IS TYPICAL OF (2) - COUPLED BY TRANSFORMER (T1).



NOTE: 1) C1 & C5 SHOWN TOP VIEW
2) C9, 10, 11, 12 ON OPPOSITE SIDE OF ABOVE.



NOTE: F1, 2, R13, 14, 15, 29, 30, 31, CR4, 5, 10, 11 ARE ON UNITS WITH OVERVOLTAGE PROTECTION ONLY.

REFERENCE DESIGNATOR	LAST	NOT USED
R	34	5, 21
C	12	
CR	12	
Q	4	
U	2	
T	1	
F	2	

AUDIO DESIGNS
and Manufacturing, Inc.

TITLE	CH20 POWER SUPPLY SCHEMATIC
MODEL	55-2020 B
DRAWING NO.	102541
REV.	C

USED ON	SCALE
ELECTRICAL CH.	DATE
MECHANICAL CH.	DATE
DRAWN BY	DATE

TOLERANCES (UNLESS OTHERWISE SPECIFIED)
 .XX .010
 .XXX .005
 ANGLE 1°
 (EXCEPT AS NOTED)