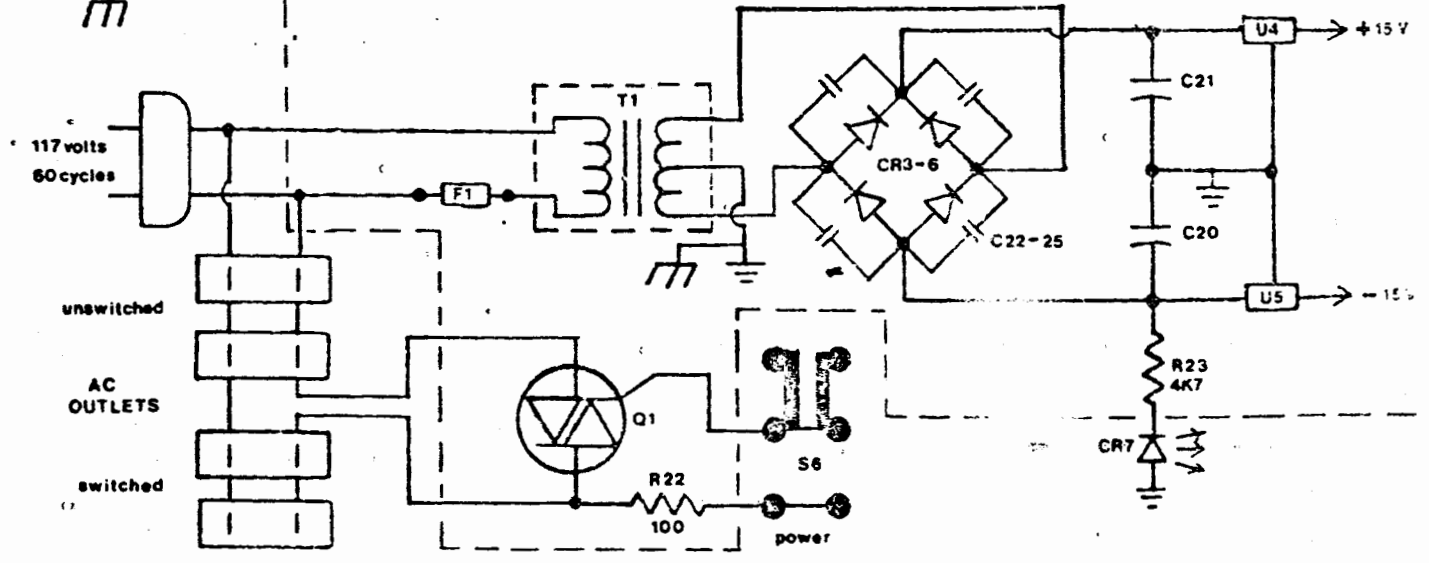
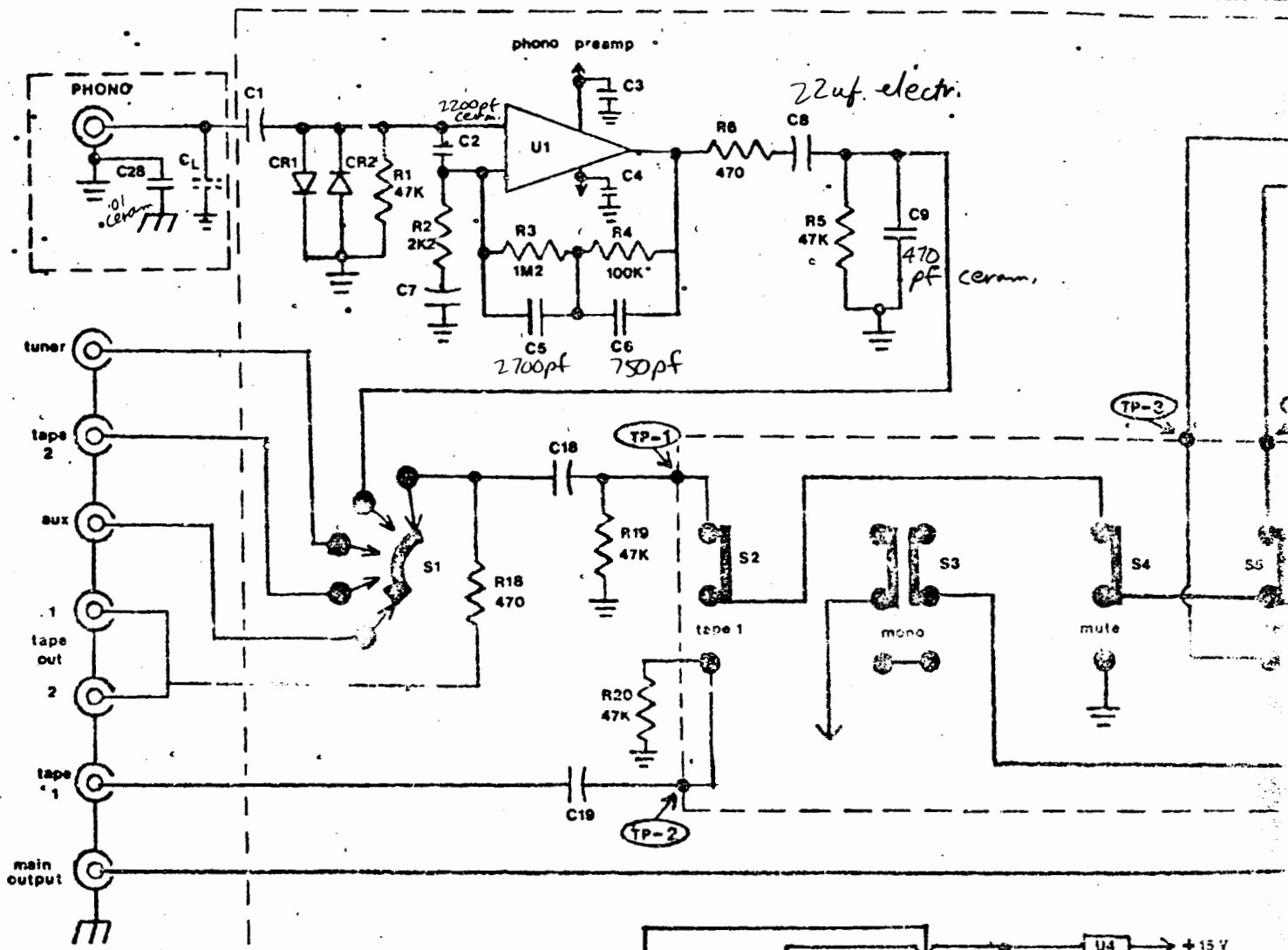
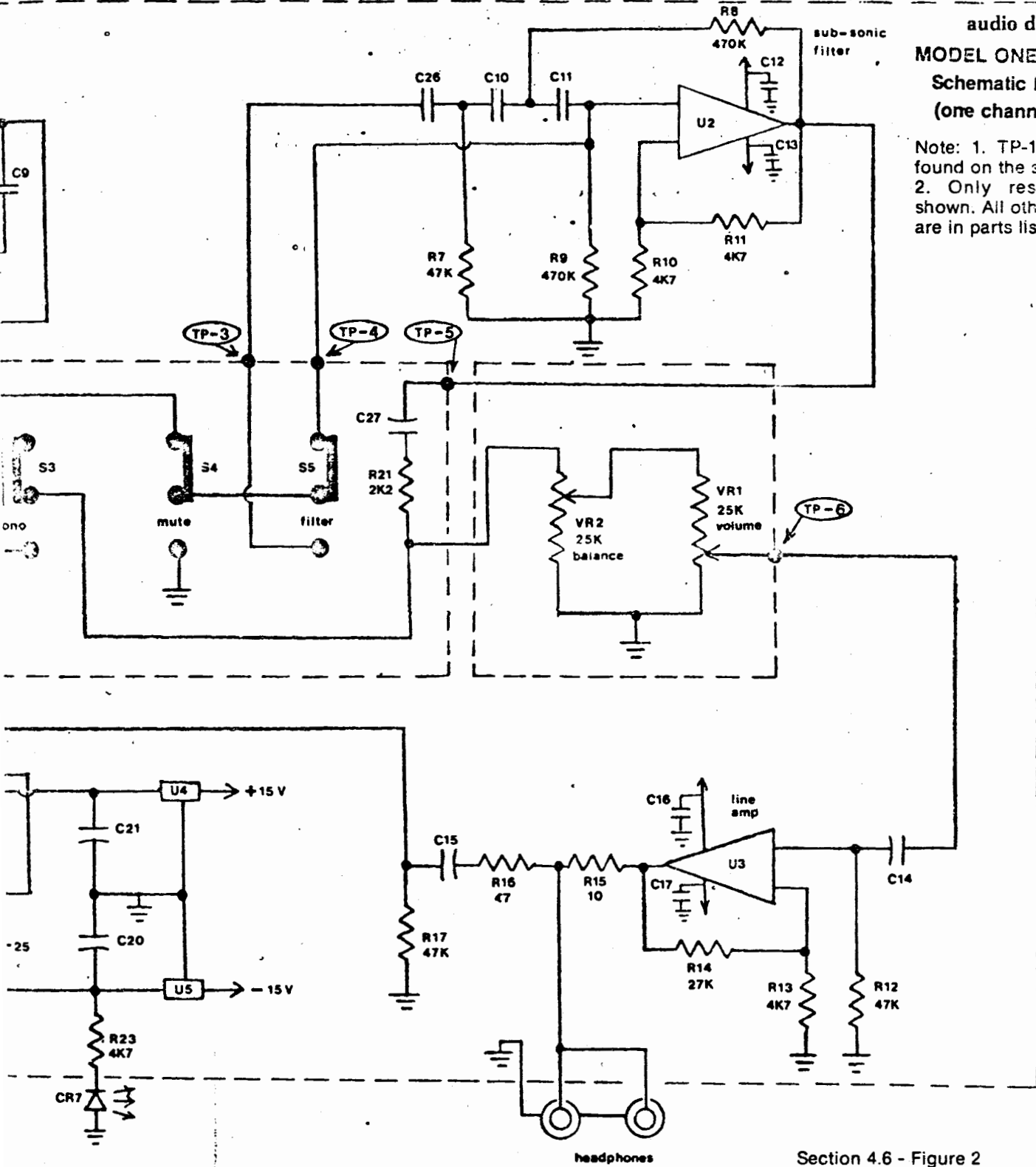


1.2  
 2700  
 ---  
 8400  
 24  
 ---  
 32400



audio design  
**MODEL ONE PREAMP**  
 Schematic Diagram  
 (one channel only)

Note: 1. TP-1 to TP-6 are found on the switch board.  
 2. Only resistor values shown. All other part values are in parts list.



Section 4.6 - Figure 2

R1, R5, R7, R12, R17, R19, R19, R20	Resistor, 47K, 1/4W, 5%	20060-02
R2, R21	Resistor, 2.2K, 1/4W, 5%	20040-02
R3	Resistor, 1.2M, 1/4W, 5%	20076-02
R4	Resistor, 100K, 1/4W, 1%	20065-02 No Sub
R6, R18	Resistor, 470, 1/4W, 5%	20030-02
R8, R9	Resistor, 470K, 1/4W, 5%	20071-02
R10, R11, R13, R23	Resistor, 4.7 K, 1/4W, 5%	20045-02
R14	Resistor, 27K, 1/4W, 5%	20050-02
R15	Resistor, 10, 1/4W, 5%	20005-02
R16	Resistor, 47, 1/4W, 5%	20015-02
R22	Resistor, 100, 1/4W, 5%	21010-02
CR1, CR2	Diode, 1N4148, Small Signal	34015-02
CR3-6	Diode, IN4004, Rect.	34010-02
CR7	Diode, RL-209, LED	31001-02
Q1	Triac, 2N6342A, 200V	35005-02 No Sub
U1, U3	IC, NE5534N, Amplifier	33005-02 No Sub
U2	IC, LF351N, Amplifier	33015-02 No Sub
U4	IC, 7815CT, Regulator	33021-02
U5	IC, 7915CT, Regulator	33022-02
VR1	Pot., 25K, Volume	26005-02 No Sub
VR2	Pot., 25K, Balance	26010-02 No Sub
J2	Jumper, 5 in.	81001-02
F1	Fuse, 1/8 amp, slo-blow	46050-02
S1	Switch, 4 pos., 2 pole	47020-02
S2-5	Switch, DPDT, Push-Push	47010-02
S6	Switch, DPDT, Push-Push	47005-02
T1	Transformer	50015-02
N/A	Circuit Board, Main (No Parts)	71013-02
N/A	Assembly, Main Circuit Board	70013-02
N/A	Circuit Board, Switch	71011-02
N/A	Assembly, Switch Board	70011-02
N/A	Circuit Board, Potentiometer	71012-02
N/A	Assembly, Pot. Board	70012-02
N/A	Circuit Board, Phono input	71010-02
N/A	Assembly, Phono input	70010-02
N/A	Circuit Board, LED	71017-02
N/A	Assembly, LED board	70017-02
N/A	Socket, Cap. Loading (4)	43005-02
N/A	Socket, RCA, panel (16)	45015-02
N/A	Socket, IC, 8 pin DIP (6)	41005-02
N/A	Socket, AC Receptacles (4)	45025-02
N/A	Socket, Headphone, Stereo (2)	45010-02
N/A	Connector, 10 pin Male (1)	42020-02
N/A	Connector, 4 pin, Male (1)	42023-02
N/A	Connector, 6 pin Male (1)	42022-02
N/A	Connector, Ground Post (1)	40005-02
N/A	Fuse CLips, PCB mount (2)	46005-02
N/A	Line Cord, 6 foot (1)	98000-02
N/A	Rubber feet, large (3)	64002-02
N/A	Rubber feet, small (1)	64001-02



68001-02  
 60001-02  
 60002-02  
 60006-02  
 90005-02  
 91005-02  
 92005-02  
 93005-02  
 97005-02  
 95005-02  
 94015-02  
 95006-02  
 95015-02  
 67052-02  
 67062-02  
 67072-02

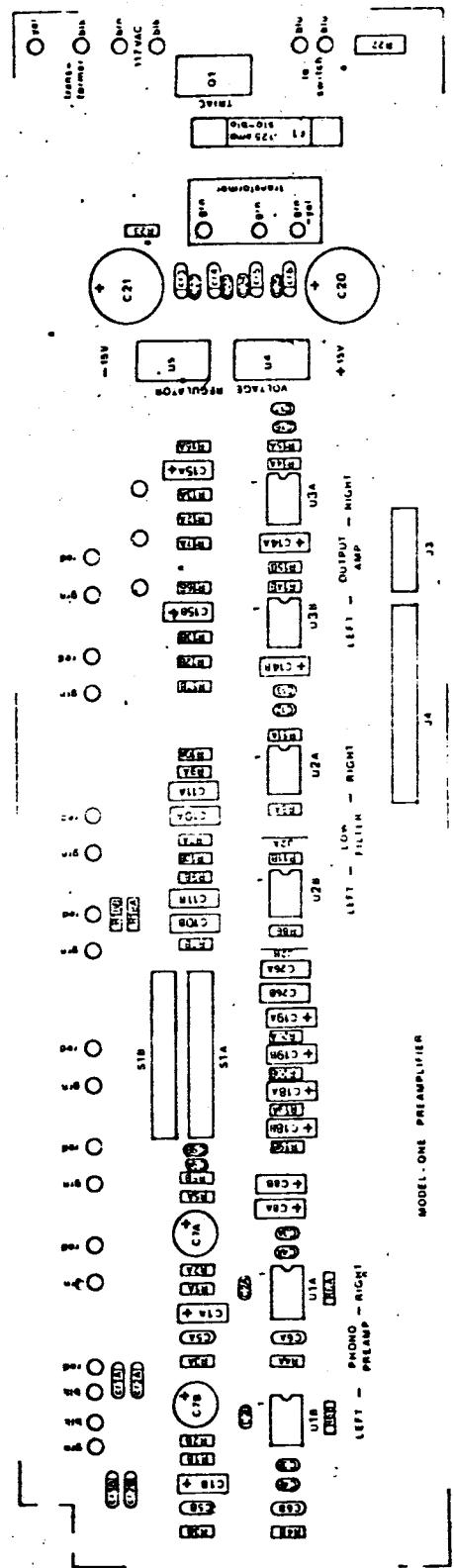


Figure 1 - Main Circuit Board Component Layout

Section 4.5 - The Component Reference Designation numbers are followed by "A" to indicate right channel parts and "B" for left channel parts. Components common to both channels have no suffix (power supply components).

Note: 3 other circuit boards (phono input, switch and potentiometer boards) are not shown because of their low parts count.