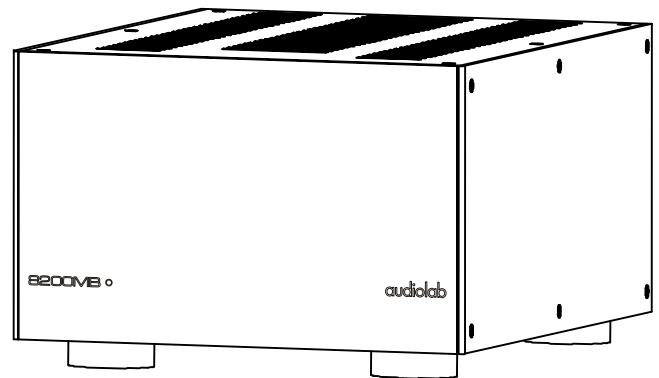


Service Manual

E l e c t r o n i c s

8200MB



1. Introduction	1
2. Specification	2
3. Assembly Sketch	3
4. Schematic Diagram	4-6
5. Wiring Diagram	7
6. Silkscreen of Top/Bottom	8-11
7. Maintenance Alignment Procedure	12-13
8. Assembly Parts List	14-15
9. Electronic Parts List	16-21
10. Nationality Averageserving	22

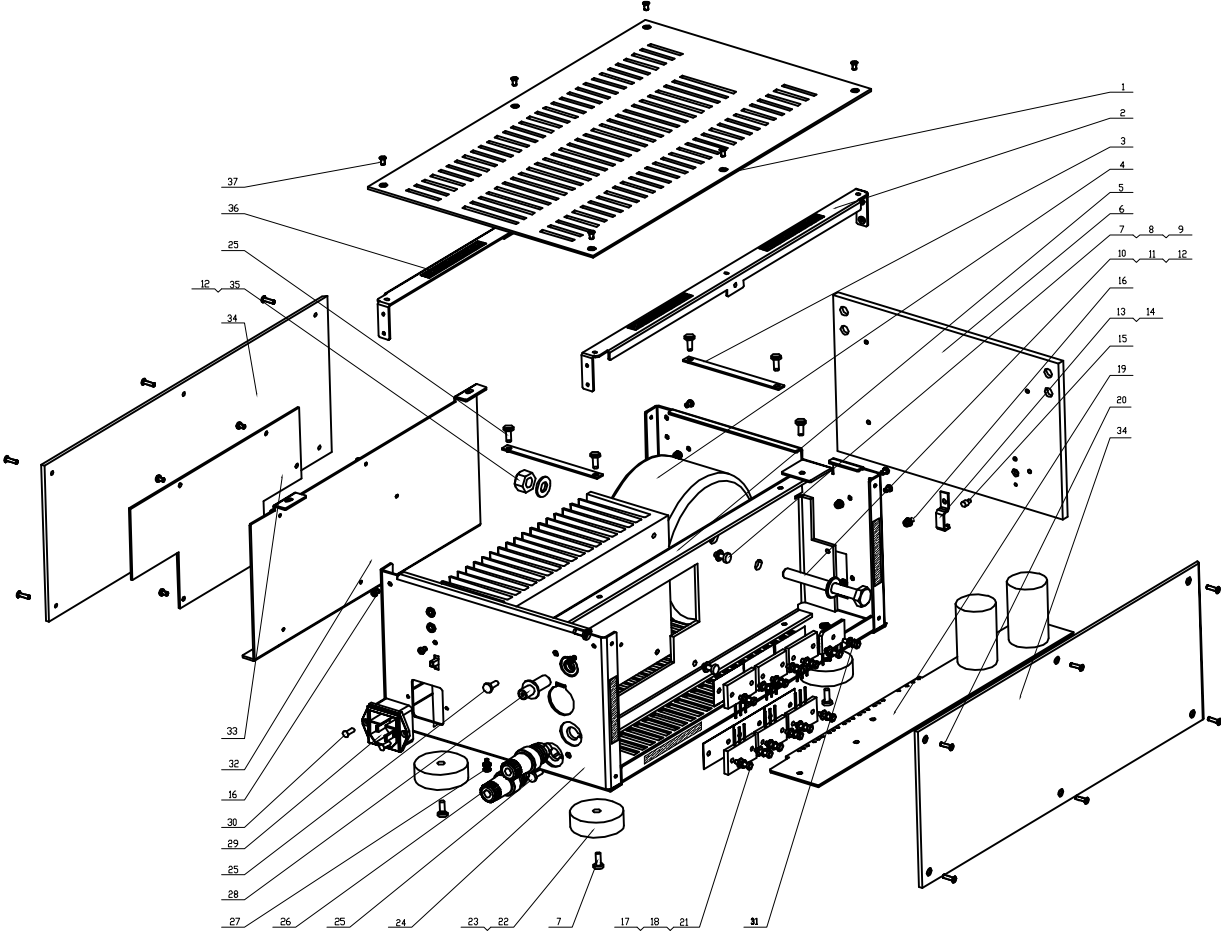
It is the responsibility of the user to ensure that all the information contained in this manual is current. Notification for new issues of this manual and minor updates will be given via the IAG web-site or on request.

This manual has been prepared with the greatest care, it is intended for information only and no liability shall be accepted for errors or changes to specification.

SPECIFICATION

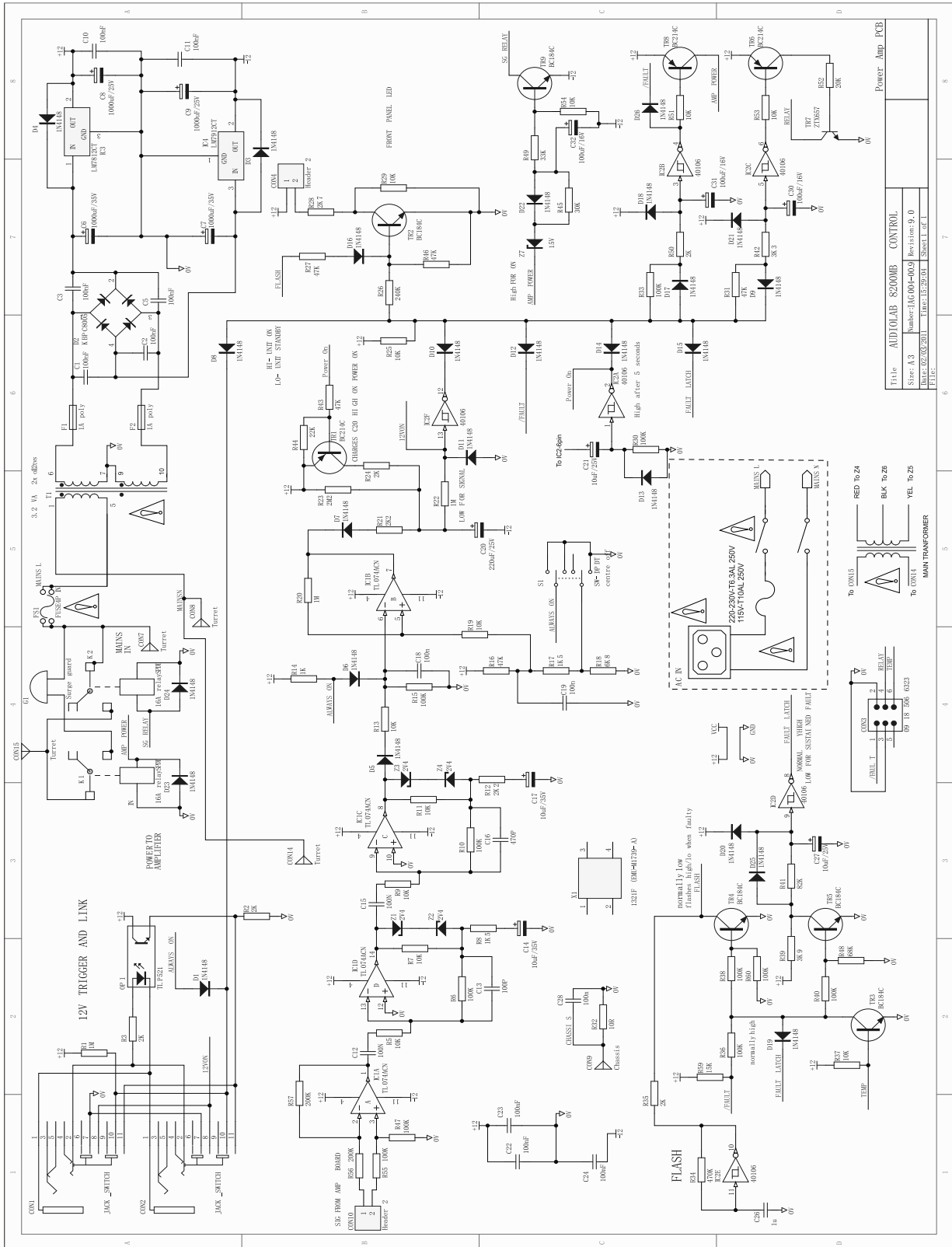
Rated Output Power	250W/Channel into 8 Ω ,20Hz-20kHz
Input Sensitivity	1.63Vrms for 250W into 8 Ω
Input Impedance:	20k Ω Balanced,15k Ω unbalanced
Gain	29.0 dB at 1kHz
Signal TO Noise Ratio(IHF,rel.0.dBw)	88dB
Frequency Response	20-20kHz \pm 0.1dB,0.1-120kHz-3dB
	Total Harmonic Distortion & Noise
	Less than 0.03%,20Hz-20kHz
Polarity(Phase)	Non-Inverting
Muting	Muting controlled automatically
Operating Temperature Rnge	10-35 $^{\circ}$ C
Power Requirements(Depending on Region)	50-60Hz 100V,110-120V,and 220-230V Models avaibale
	Maximum Power Consumption:380VA
Dimensions(WxHxD)	216*150*379mm
Weight	Net:9kg
	Shipping:11kg

ASSEMBLY SKETCH



SCHEMATIC DIAGRAM

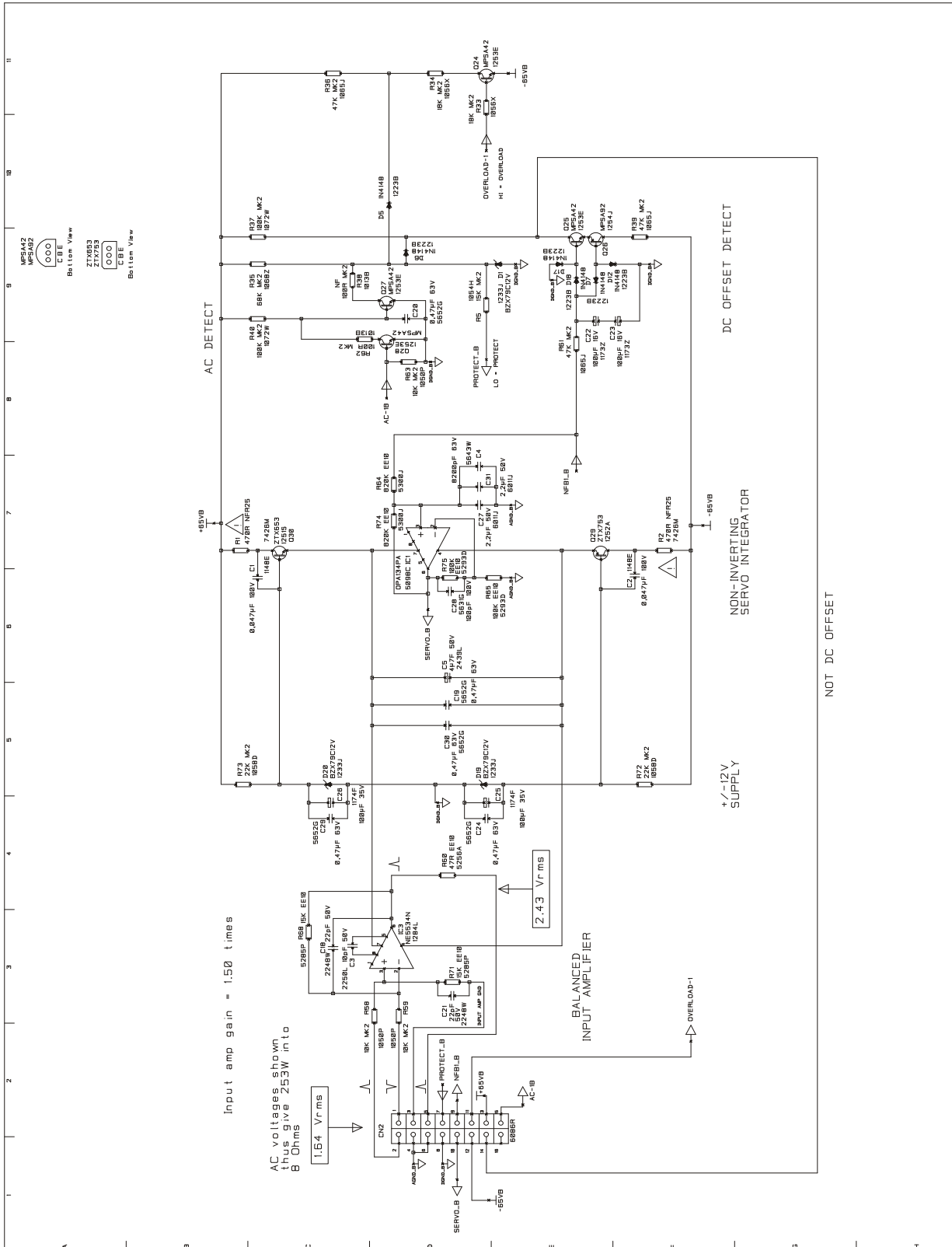
8200MB-PowerBoard-P1/1



Title: AID10LAB 8200MB CONTROL	
Sheet: A.3	Number: IAG 004-003
Date: 02/03/2011	Trace: 15:32:01
Sheet 1 of 1	

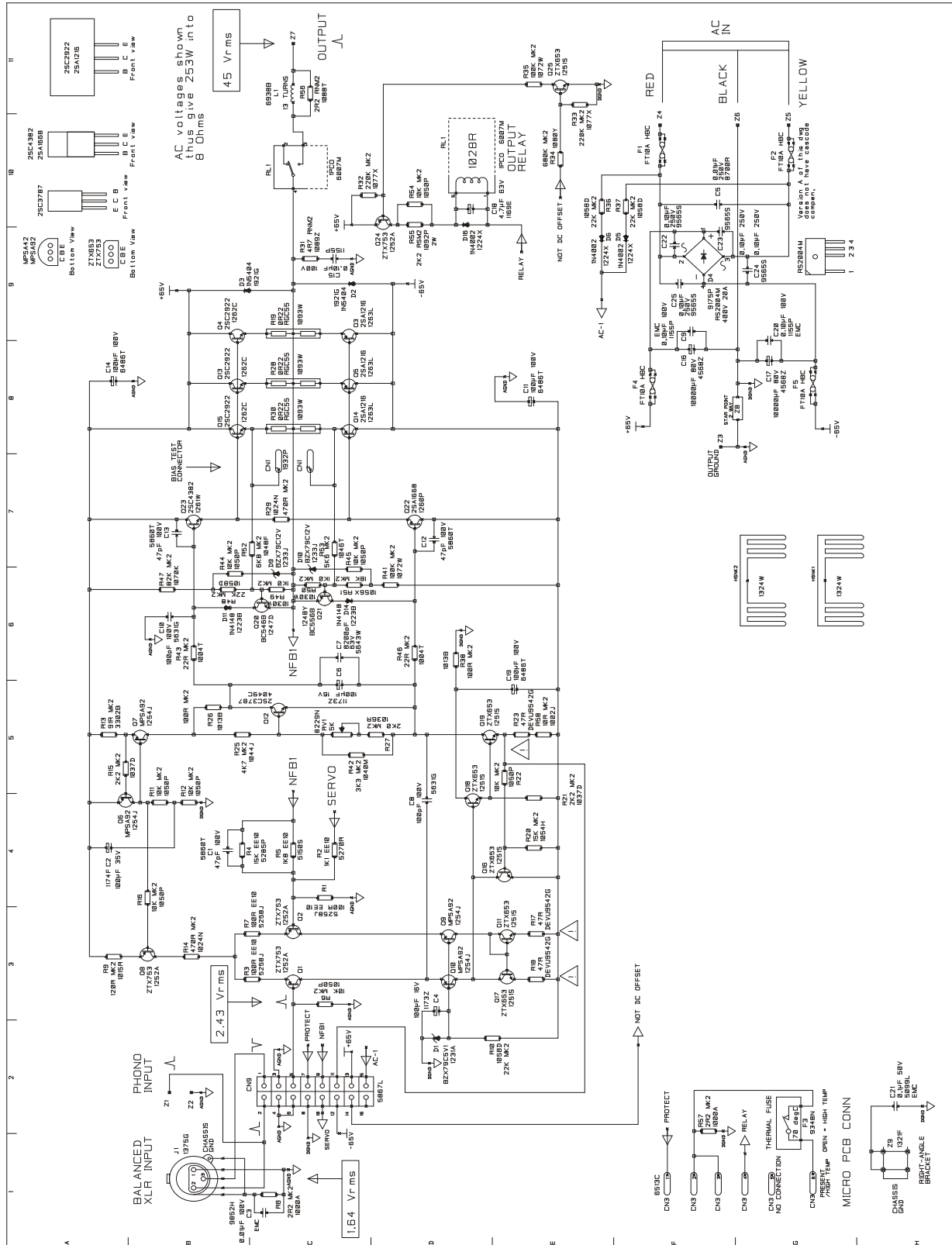
SCHEMATIC DIAGRAM

8200MB-Servo Board-P1/1



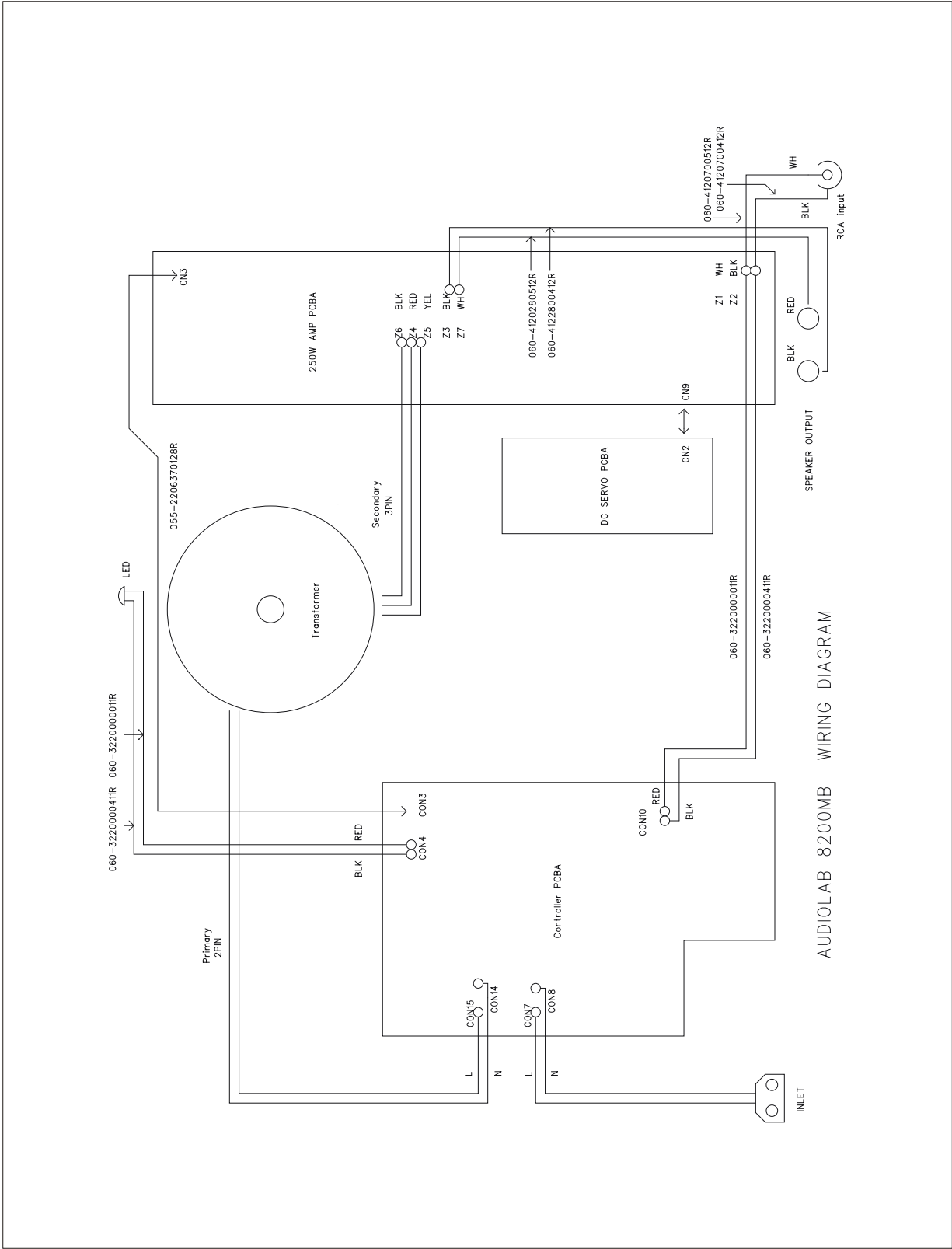
SCHEMATIC DIAGRAM

8200MB-AMP Board-P1/1



WIRING DIAGRAM

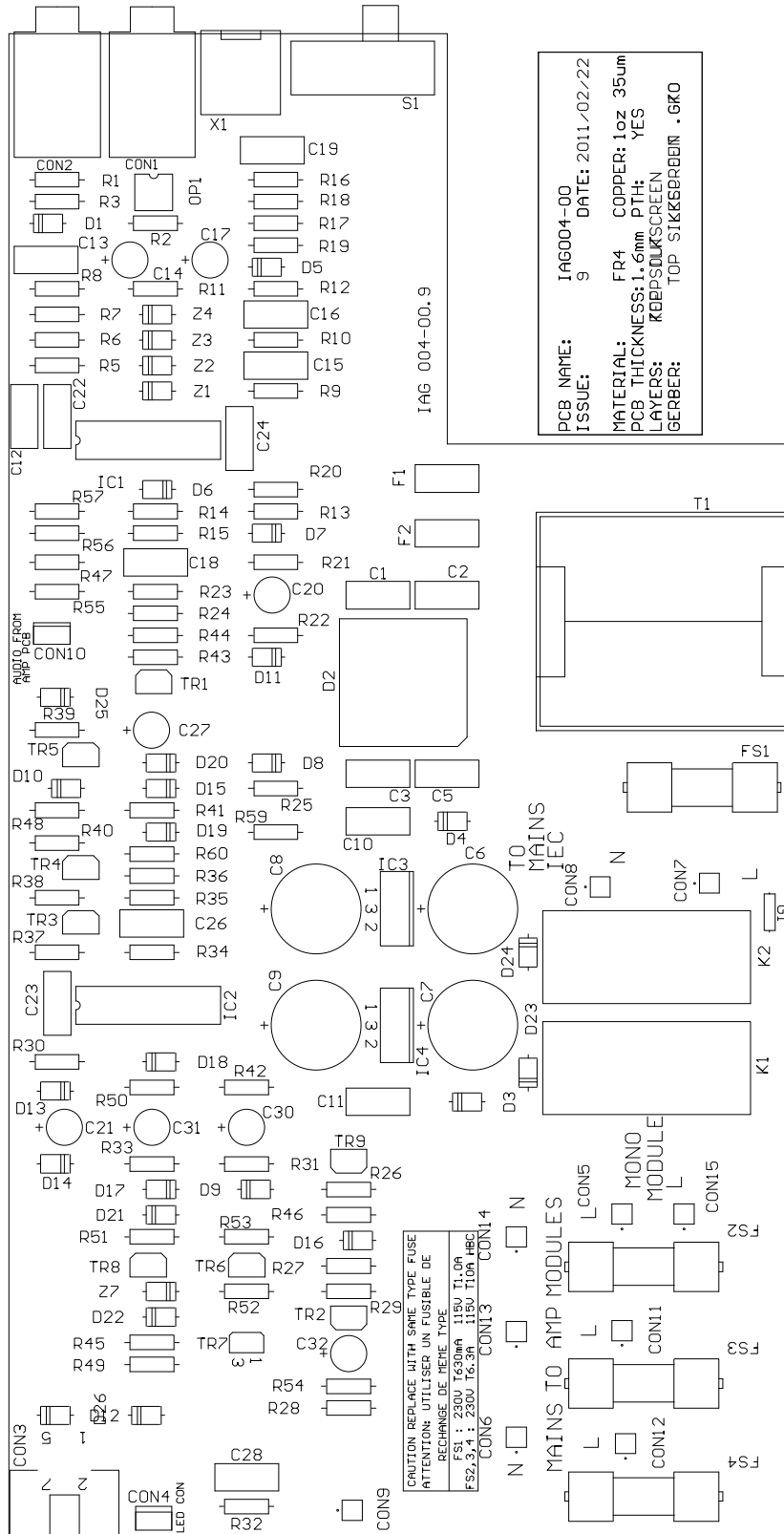
8200MB-Wiring Diagram-P1/1

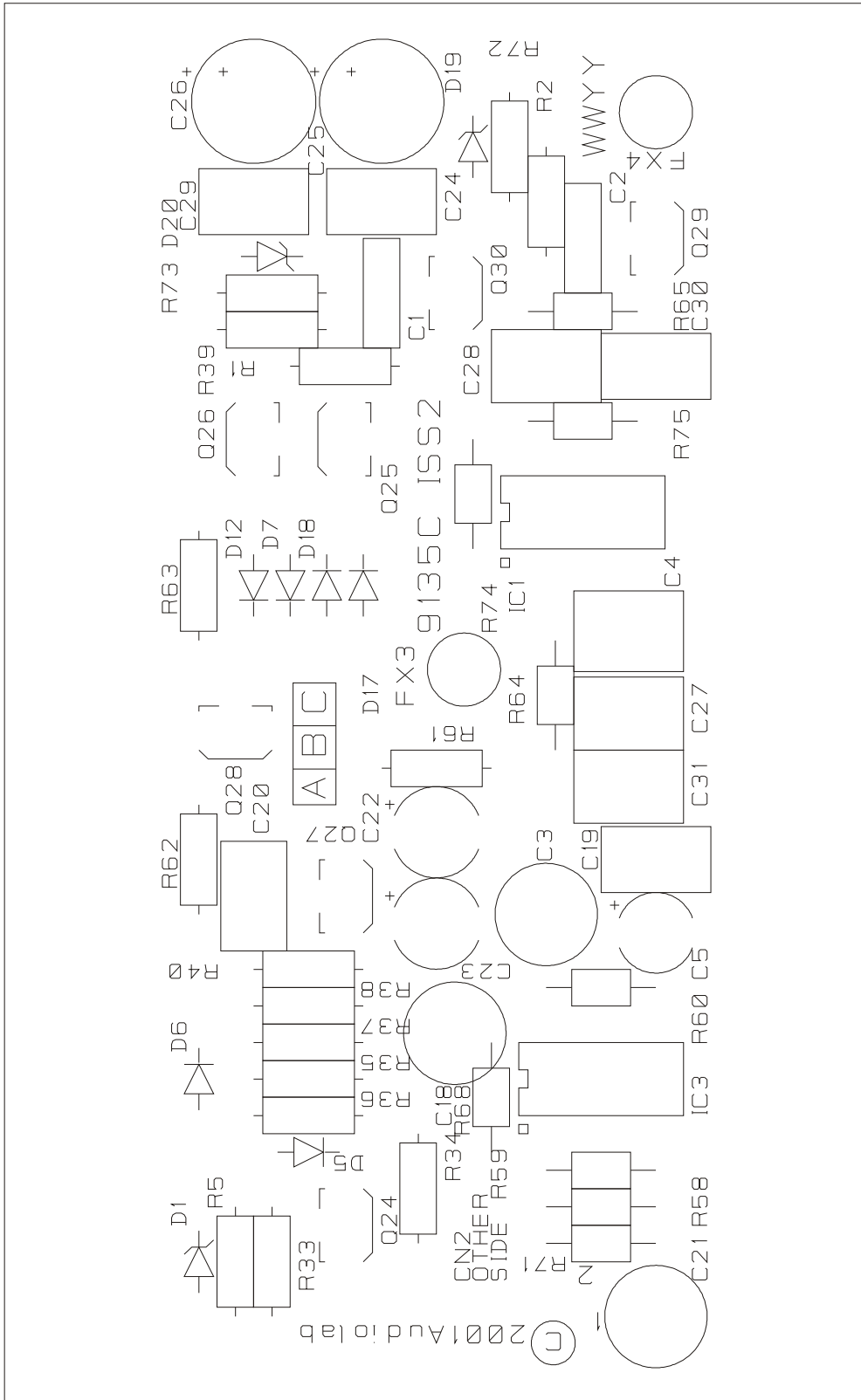


AUDIOLAB 8200MB WIRING DIAGRAM

SILKSCREEN OF TOP / BOTTOM

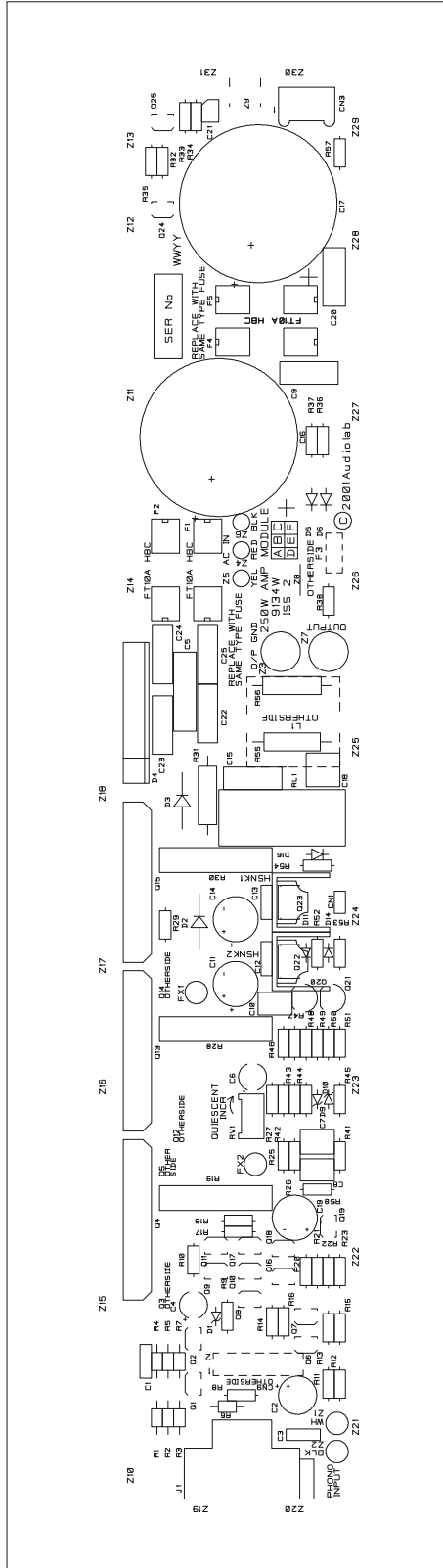
8200MB-Power Silkscreen-P1/1





SILKSCREEN OF TOP / BOTTOM

8200MB-AMP Silkscreen-P1/1



MAINTENANCE ALIGNMENT PROCEDURE

8200MB-Bias Procedure-P1/1

Audiolab 8200MB Bias Procedure

Equipment:

Unit under test (UUT).

mV meter (calibrated).

Variac or stabilised adjustable mains synthesiser.

Insulated preset adjust tool.

Stopwatch or digital timer.

Bias Table for UUT.

Use the "Cold" values for the bias if the unit has not been switched on for hours.

Use the "Warm" values for the bias if the unit has been on for more than an hour in the last half an hour.

Setup:

Set the Variac to the UUT nominal voltage (230V \pm 1%, 120V \pm 1% or 100V \pm 1%).

Reset the timer.

Start the timer at the same time as powering up the UUT.

Set the bias trim with the preset tool to give the initial bias level on the mV meter in the table within the tolerance limits.

At regular intervals between 3 and 5 minutes: Check the mains voltage from the variac, then set the bias to the value in the table against the time on the timer.

Continue until the bias stays within the final value and tolerance.

Product	state	Initial setting	After 15 mins	After 30 mins
8200MB	Cold	0.8–1.4	6.8–7.0	6.4-6.6
	Warm	1.2–1.8	6.1–6.3	6.4-6.6

MAINTENANCE ALIGNMENT PROCEDURE

8200MB-Bias Difficulties And Processing-P1/1

DIFFICULTIES

Basic troubleshooting of an amplifier is similar to troubleshooting of any other electrical or electronic equipment. Always check the most obvious possible causes first. To give you a few ideas of what to look for, check the following.

Problem	Cause	Remedy
No power when Power cord is plug in	(1) Mains plug not inserted correctly. (2) The fuse is broken.	(1) Plug in securely. (2) Replace the fuse with a new one of the same type .
The location of music is not fine.	L and R of input or output are mistaken or positive and negative of speaker terminal is mistaken.	Reconnect it.
No sound	Source are not connected Speakers are not connected Overdrive Overheating	Check Source connection Check speaker cables Turn down the volume and then reconnect power to the amplifier Disconnect the mains plug Retry When amplifier get cold
The noise is overloud.	Not fine signal shielded cable. The signal cable, power supply cord and the video frequency cable are placed too close or get tangled up. Components or circuits are in trouble.	Replace the signal cable with a good one Put the connections in good order. Keep the signal cable away from the others. Contact your dealer

ASSEMBLY PARTS LIST

8200MB-Assembly Bom-P1/2

R/N	P/N	PART NAME	DESCRIPTION	QTY
1	302-1013410002R	top cover	sand blast and anodized	1
2	305-1013410001R	bracket 1	black paint	2
3	305-1013410000R	bracket	black paint	2
4	022-2000044229QR	transformer	230v352 mains 250w module	1
5	318-1013410000R	radiator chassis	black paint	1
6	300-1013410001R	front panel	finish and anodized	1
7	537-4001120208R	screw-12	m4*12(silver)	8
8	517-4000000300AR	spring gasket	m4 silver	4
9	513-4008080300AR	gasket	m4 silver	4
10	575-1008070500R	bolt	m8*70(black)	1
11	517-8000000800AR	spring gasket	m8(black)	1
12	513-8016160030R	gasket	m8(black)	2
13	316-1013410000R	clip	black	1
14	425-0130000652R	eva lump	black	0.1M
15	019-0011022000QR	LED	led red	1
16	588-3000066037R	screw-6	m3*6 silver	19
17	513-3007050080R	gasket	m3(silver/black)	22
18	517-3000000300AR	spring gasket	m3(silver/black)	18
19	088-1472930000R	AMP PCBA	250w	1
20	534-3002100606R	screw-10	m3*10(silver)	12
21	588-3000146037R	screw-14	m3*14(silver)	12
22	226-0400071411R	foot	black	4
23	226-0330000411R	sponge mat	balck	4
24	309-1013410000R	chassis	paint and silkscreen	1
25	588-4000088037R	screw-8	m4*8(silver/black)	5(4)
26	046-2210000000R	output terminal	gold plated	1
27	588-3000086037R	screw-8	m3*8(silver)	3
28	051-4800000000R	audio jack	1p gold plated	1
29	044-1700000000QR	mains socket	mains inlet 2pole 2fuse locs	1
30	524-3012100806R	screw-10	m3*10(black)	2
31	537-3001121306R	screw-12	m3*12	1
32	318-101341001R	PCBA chassis	black	1
33	088-1472930300R	control PCBA	PCBA	1
34	319-1013410002R	side panel	sand blast and anodized	2
35	500-8000000810R	bolt	m8(black)	1
36	262-0500005010R	dustproof pad	with single 3m tape	12
37	534-3002061006R	screw-6	m3*6	6

ASSEMBLY PARTS LIST

8200MB-Assembly Bom-P2/2

Remark:Colour Difference Table

R/N	P/N	PART NAME	DESCRIPTION	QTY
1	302-1013410002R	top cover	sand blasting,anodized silver	1
	302-1013420002R		sand blasting,anodized black	1
6	300-1013410001R	front panel	screened, light grey(silver anodized)	1
	300-1013410000R		screened, light grey(black anodized)	1
16	588-3000066037R	screw	M3*6NI	19
	537-3001060806R		M3*6Black	14
20	534-3002100606R	screw	M3*10NI	12
	534-3002100906R		M3*10Black	12
24	309-1013410000R	main chassis	silver painted	1
	309-1013410001R		black painted	1
25	588-4000088037R	screw	M4*8NI	5
	574-4001080806R		M4*8Black	9
27	588-3000086037R	screw	M3*8NI	3
	537-3001080808R		M3*8Black	2
34	319-1013410002R	side panel	sand blasting,anodized silver	2
	319-1013420001R		sand blasting,anodized black	2
37	534-3002061006R	screw	M3*10NI	6
	534-3002060906R		M3*10Black	6

ELECTRONIC PARTS LIST

8200MB-Electronic Bom-P1/6

R/N	P/N	PART/NAME	DESCRIPTION	QYT	LOCATION
1	088-1472930000R	250W AMP PCBA		1	
2	053-1472931600R	250W AMP PCB	FR-4 2Layer Green Solder Resist .White Silk Screen 321.3*47.5*1.6mm	1	
3	016-4700230001R	Capacitor	47PF/1000V 2.5% PCM=5MM FKP2 WIMA	3	C1,12,13
4	016-1011132201QR	Capacitor	100P/100V 2.5% PCM5 FKP2	1	C10
5	013-2210220507R	Capacitor	220pF/100V 2.5% wima	1	C8
6	006-1034355083HR	Capacitor	10000UF/80V 20% 85°C 35*50MM(ELNA)	2	C16,C17
7	016-1032120001R	Capacitor	10NF/250V 20% (M) MKP 3366 VISHAY	1	C5
8	006-1014102093HR	Capacitor	RE3 100UF/100V 20% 85°C 10*20mm(ELNA)	3	C11,14,19
9	006-1014051133HR	Capacitor	RE3 100UF/16V 20% 85°C 5*11MM(ELNA)	2	C4,6
10	006-1014162552QR	Capacitor	ELNA RE3-35V-101M F3 100UF 35V	1	C2
11	016-0141100001R	Capacitor	0U01 5% 100V MKS2 WIMA PH5MM	1	C3
12	013-8220210505R	Capacitor	8200P 5% 63V WIMA PH5MM	1	C7
13	016-1052111101R	Capacitor	0.1uF 250VDC 10% PH=10mm EVOX RIFA	4	C22-25
14	016-1041110001HR	Capacitor	0.1UF/100V 10% MKS4 10PCM WIMA WIMA	3	C9,15,20
15	009-1031008110QR	Capacitor	10NF/100V 20%	2	Input/Output grounding
16	009-1040508110R	Capacitor	100nF 50V 20%	1	C21
17	006-4794051073QR	Capacitor	CAP 4U7 20% 63V RE2-F	1	C18
18	067-2204002000R	Diode	IN4002	3	D5-6,16
19	067-1104148000R	Diode	IN4148	2	D11,14
20	067-2205404000R	Diode	IN5404	2	D2-3
21	067-3307912000QR	Diode	DIODE BZX79C 12V ZENER	2	D9-10
22	067-3300085000R	Diode	BZX85C5V1 5.1V 1W	1	D1
23	050-0100002266R	Fuse holder	PCB mount 5*20MM	8	F1-2,F4-5
24	031-1200519121HR	Fuse	TL10A/250V 215 5*20MM LITTELFUSE	4	F1-2,F4-5
25	044-1440000000QR	IDC Header	VERTICAL 8/8WAY 0.1IN	1	CN9
26	057-2541201021R	2Pin header	2pin PH2.54 1001-02GS	1	CN1
27	001-1004205010QR	Resistor	100K 1/4W 1%	2	R35,41
28	001-1001205010QR	Resistor	100R 1/4W 1%	5	R1,3,7,26.
29	001-1003205010QR	Resistor	10K 1/4W 1%	8	R6,11-12..
30	001-1002205010QR	Resistor	1K 1/4W 1%	2	R49-50

ELECTRONIC PARTS LIST

8200MB-Electronic Bom-P2/6

31	001-2203205010QR	Resistor	22K 1/4W 1%	4	R10,36-37.
32	001-2002205010QR	Resistor	2K 1/4W 1%	1	R27
33	001-2202205010R	Resistor	2.2K 1/4W F	2	R15,21
34	001-3302205010QR	Resistor	3K3 1/4W 1%	1	R42
35	001-0229810100HR	Resistor	0R22 X 2 10% 7W (NOBLE)	3	R19,28,30
36	001-2209308050QR	Resistor	2R2 2W 5%	1	R56
37	001-4709208050QR	Resistor	4R7 2W 5% RNM2	1	R31
38	001-2202205050QR	Resistor	2K2 2W 5%	1	R55
39	020-5022127008QR	Resistor	POT 5K 10% PRESET MULTITURN	1	RV1
40	001-1201205010R	Resistor	120R 1/4W 1%	1	R9
41	001-1503205010R	Resistor	15K 1/4W F	2	R20,R4
42	001-1802205010QR	Resistor	1K8 1/4W 1%	1	R5
43	001-2200205010QR	Resistor	22R 1/4W 1%	2	R43,46
44	001-4702205010R	Resistor	4.7K 1/4W F	1	R25
45	001-1102205010R	Resistor	1.1K 1/4W 1%	1	R2
46	001-8203205010R	Resistor	82K 1/4W F	1	R47
47	001-0220205014QR	Resistor	2.2R, 0.25W, 1%	2	R8,57
48	001-2204205010R	Resistor	220K 1/4W F	2	R32-33
49	001-6804205010QR	Resistor	680K 1/4W 1%	1	R34
50	001-9100205010QR	Resistor	91R 1/4W 1%	1	R13
51	001-4701205010QR	Resistor	470R 1/4W 1%	2	R14,29
52	001-1000205010QR	Resistor	10R 1/4W 1%	1	R58
53	001-1803205010QR	Resistor	18K 1/4W 1%	1	R51
54	001-6802205010QR	Resistor	6K8 1/4W 1%	1	R52
55	001-5602205010QR	Resistor	5K6 1/4W 1%	1	R53
56	024-2030071054HR	Relay	JW1FSN-DC24V AJW4212 NAIS	1	RL1
57	349-1006000011R	PCB Holder	PCB-2	1	Z9
58	026-3914100145R	Inductor	RH 9.5*14.5*5	1	
59	066-0050011301QR	THERMAL SWITCH	THERMAL CUT-OUT SWITCH 70°C MICROTHERM	1	F3
60	312-1040000002R	Silica gel	TO-220	1	Heatsink
61	324-0380250101QR	Silica gel	38*25MM	6	Heatsink
62	018-0101668111QR	Transistor	TRAN 2SA1668 PNP TO-220F SANKEN	1	Q22
63	018-0304382111QR	Transistor	2SC4382 NPN TO-220F SANKEN	1	Q23
64	018-3300092115R	Transistor	MPSA92 PNP TO-92	4	Q6-7,9-10
65	018-3200753115R	Transistor	ZTX753 TO-92	4	Q1-2,8,24
66	018-0302922110QR	Transistor	TRAN 2SC2922 NPN MT-200 SANKEN	3	Q4,Q13....
67	018-0101216110QR	Transistor	TRAN 2SA1216 PNP MT-200 SANKEN	3	Q3,Q5,Q14

ELECTRONIC PARTS LIST

8200MB-Electronic Bom-P3/6

68	018-0303787113QR	Transistor	2SC3787 NPN TP-126ML SANYO	1	Q12
69	044-3520000000R	RCA Jack	JALCO YKF52-5006 3P Gold Plated	1	Input
70	034-3114002004R	Rectifier	RS2004M 400V 20A	1	D4
71	023-0013120181R	Inductance	13T、Φ20、D=1.8mm	1	L1
72	018-3200653115QR	Transistor	ZTX653 NPN E-LINE	6	Q11,16-19.
73	018-1400546115-1R	Transistor	BC546BRL1G TO-92	1	Q20
74	001-4700206056R	Resistor	Fusible Resistance 1/2W ±5% 47R	3	R17-18、 R23
75	044-6220000000R	6Pin connector	6PIN PH=2.54MM RED	1	CN3
76	018-1400556115-1R	Transistor	BC556B PNP TO-92 Fairchild	1	Q21
77	088-1472932100R	DC SERVO PCBA		1	
78	053-1472932621R	DC SERVO PCB	FR-4 2Layer Green Solder Resist .White Silk Screen 39.5*94*1.6mm	1	
79	016-1011132201QR	Capacitor	100P/100V 2.5% PCM5 FKP2	1	C28
80	016-4731100001R	Capacitor	CAP 0U047 5% 100V MKS2 PH5MM	2	C1,C2
81	016-4740810001R	Capacitor	0U47 10% 63V MKS2 WIMA PH5MM	5	C19,C20...
82	013-8220210505R	Capacitor	8200P 5% 63V WIMA PH5MM	1	C4
83	013-2250120505QR	Capacitor	2U2 10% 50V MSK2 WIMA	2	C27,C31
84	006-1014051133HR	Capacitor	RE3 100UF/16V 20% 85°C 5*11MM(ELNA)	2	C22,C23
85	006-1014162552QR	Capacitor	ELNA RE3-35V-101M F3 100UF 35V	2	C25,C26
86	006-4794051063QR	Capacitor	4U7 20% 50V ARE-F	1	C5
87	067-1104148000R	Diode	IN4148	6	D5-D7,D12.
88	067-3307912000QR	Diode	DIODE BZX79C 12V ZENER	3	D1,D19....
89	044-1220000000QR	IDC Header	CON8 WAY X 2 HEADER	1	CN2
90	017-4590000000QR	IC	IC NE5534P Ti OP-AMP DIP8	1	IC3
91	017-4570000000QR	IC	OPA134PA DIP8 BB	1	IC1
92	018-2700042115QR	Transistor	TRAN ZTX457 NPN TO-92	4	Q24,Q25...
93	018-2700092115QR	Transistor	TRAN ZTX757 PNP E-Line	1	Q26
94	018-3200653115R	Transistor	ZTX653 TO-92	1	Q30
95	018-3200753115R	Transistor	ZTX753 TO-92	1	Q29
96	001-1004205010QR	Resistor	100K 1/4W 1%	2	R37,R40
97	001-1001205010QR	Resistor	100R 1/4W 1%	1	R62
98	001-1003205010QR	Resistor	10K 1/4W 1%	4	R34,R58...
99	001-1503405010QR	Resistor	15k 1/4W 1%	2	R68,R71
100	001-2203205010QR	Resistor	22K 1/4W 1%	2	R72,R73
101	001-3302205010QR	Resistor	3K3 1/4W 1%	1	R33

ELECTRONIC PARTS LIST

8200MB-Electronic Bom-P4/6

102	001-1004405010QR	Resistor	100k 1/4W 1%	2	R65,R75
103	001-8204205010QR	Resistor	820K 1/4W 1%	2	R64,R74
104	001-4703205010QR	Resistor	47K 1/4W 1%	2	R36,R61
105	001-4700405010QR	Resistor	47R 0.25W 1%	1	R60
106	001-1000205010QR	Resistor	10R 1/4W 1%	1	R5
107	001-6803205010QR	Resistor	68K 1/4W 1%	1	R35
108	001-1803205010QR	Resistor	18K 1/4W 1%	1	R39
109	001-4700005050R	Resistor	Fusible Resistance 470R 1/4w 5% FRN	2	R1,R2
110	016-1001120001R	Capacitor	10P 20% 100V PH=5MM L=11MM	1	C3
111	016-2201120001R	Capacitor	22P 20% 100V PH=5MM L=13MM	2	C18,C21
112	088-1472930300R	Controller PCBA		1	
113	053-1472931603R	Controller PCB	FR-4 2Layer Green Solder Resist .White Silk Screen 109*210*1.6mm	1	
114	001-1004205010QR	Resistor	100K 1/4W 1%	11	R6,10,15
115	001-8203205010QR	Resistor	82K 1/4W 1%	1	R41
116	001-1003205010QR	Resistor	10K 1/4W 1%	12	R5,7,9,11
117	001-1000205010QR	Resistor	10R 1/4W 1%	1	R32
118	001-1502205010QR	Resistor	1K5 1/4W 1%	2	R8,R17
119	001-1005205010QR	Resistor	1M 1/4W 1%	3	R1,R20
120	001-1503205010R	Resistor	15K 1/4W F	1	R59
121	001-2003205010QR	Resistor	20K 1/4W 1%	1	R52
122	001-2203205010QR	Resistor	22K 1/4W 1%	1	R44
123	001-1002205010QR	Resistor	1K 1/4W 1%	1	R14
124	001-2002205010QR	Resistor	2K 1/4W 1%	5	R2,R3,R24
125	001-2202205010R	Resistor	2.2K 1/4W F	1	R12,R21
126	001-2702205010QR	Resistor	2K7 1/4W 1%	1	R28
127	001-2004205010QR	Resistor	200K 1/4W 1%	2	R56,57
128	001-2205205010R	Resistor	2.2M 1/4W F	1	R23
129	001-2404205010R	Resistor	240K 1/4W 1%	1	R26
130	001-3003205010QR	Resistor	30K 1/4W 1%	1	R45
131	001-3303205010R	Resistor	33K 1/4W F	1	R49
132	001-3302205010QR	Resistor	3K3 1/4W 1%	1	R42
133	001-3902205010QR	Resistor	3K9 1/4W 1%	1	R39
134	001-4704205010QR	Resistor	470K 1/4W 1%	1	R34
135	001-4703205010QR	Resistor	47K 1/4W 1%	5	R16,27,31
136	001-6802205010QR	Resistor	6K8 1/4W 1%	1	R18
137	001-6803205010QR	Resistor	68K 1/4W 1%	1	R48
138	006-1024102053QR	Capacitor	CAP 1000U 20% 35V RE2-F	4	C6-9
139	014-1040311028R	Capacitor	MKS2 100nF 100V 10%	14	C1-3,5....
140	013-1010310507R	Capacitor	100pF 100V 5%	1	C13
141	006-1014051144R	Capacitor	100µF 25V 20%	3	C30,C31...

ELECTRONIC PARTS LIST

8200MB-Electronic Bom-P5/6

142	006-1001051153R	Capacitor	10uF 35V 10%	4	C14,17,21
143	014-1050200028R	Capacitor	1uF 63V 5% PH=7.5mm	1	C26
144	006-2211081243R	Capacitor	220UF/25V 10% 8*11.5	1	C20
145	016-4710802201R	Capacitor	470pF 63V 5%	1	C16
146	067-1104148000R	Diode	IN4148	24	D1,D3-25
147	017-7010000000R	IC	CD40106BE DIP14 TI	1	IC2
148	018-1400184215R	Transistor	BC184C TO-92 FRICHILD	5	TR2,TR3
149	034-4220500813R	Rectifier	KBPC8005 D-72	1	D2
150	017-1240000000R	IC	L7812CV TO-220 ST	1	IC3
151	018-9807912111R	Transistor	L7912CV TO-220 ST	1	IC4
152	017-1530000000R	IC	TL074CN DIP-14 TI	1	IC1
153	082-5210000000R	IC	TLP521 4pin	1	OP1
154	018-3200657100R	Transistor	ZTX657 E3 ZETEX	1	TR7
155	067-3307924900QR	Diode	BZX79C 2V4	4	Z1-4
156	067-3300079000R	Diode	BZX79-C15,133 PHILIPS	1	Z7
157	056-4106000090R	IDE Header	2*3P PH=2.54	1	CON3
158	349-1006000011R	PCB Holder	PCB-2	1	X1
159	024-2121601048R	Relay	G2R-1-E 12V 16A OMRON	2	K1,K2
160	031-1000127611R	Fuse	RXE090 1A TYCO 72V (MAX)	2	F1-2
161	057-2541201021R	2PIN Linker	2pin PH2.54 1001-02GS	2	CON4.....
162	096-0080000000R	Headphone Jack	AST-3.5-218-11P 3.5MM	2	CON1-2
163	004-4434010000R	Resistor	SL22 10007 10R Ametherm	1	G1
164	039-1300000000QR	SWITCH	Knitter MFP2323R	1	S1
165	050-0100002266R	Fuse holder	PCB mount 5*20MM	2	FS1
166	031-2200503121HR	Fuse	TL630MA/250V213 Series 5*20MM LITTELFUSE	1	FS1
167	022-2000042258R	Transformer	230V 3VA2 328	1	T1
168	018-1400327115-1R	Transistor	BC327-40ZL1G PNP TO-92	3	TR1,TR6,TR8
169	051-8200000000R	RCA Jack	RCA 1Pole ϕ 7.8mm Gold plated	1	
170	046-2210000000R	Output terminals	BP60A2 (R/B) Gold plated red ROHS	1	
171	046-2220000000R	Output terminals	BP60A2 (R/B) Gold plated black ROHS	1	
172	060-4120700512R	#12 Lead	UL1617AWG L=70MM White	1	RCA input (+)
173	060-4120280512R	#12 Lead	UL1617AWG L=280MM White	1	Speaker out(+)
174	060-4120700412R	#12 Lead	UL1617AWG L=70MM Black	1	RCA input(-)
175	060-4122800412R	#12 Lead	UL1617AWG Black L=280MM	1	Speaker out(-)
176	060-3220000011R	#22 Lead	UL1007 AWG22# Red	1	LED&Controllor PCB to RCA
177	060-3220000411R	#22 Lead	UL1007 AWG22# Black	1	LED&Controllor PCB to RCA
178	306-1398000000R	Heatsink	17.5*12*13.5mm	2	
179	055-2206370128R	Cable	#28 L=370mm	1	CON3 TO CN3
180	352-1101010000R	Lead holder	CM-19	3	

ELECTRONIC PARTS LIST

8200MB-Electronic Bom-P6/6

181	022-2000044229QR	Transformer	TRFMR230V 325MAINS 250W MODULE	1	
182	044-1700000000QR	MAINS INLET	MAINS INLET 2 POLE 2 FUSE LOCS	1	
183	031-2200515121HR	Fuse	T6.3A/250V213 Series 5*20MM LITTELFUSE	2	
184	062-5118000201R	Power cord	L=1.8M 0.75MM2、2Pole、 CCC	1	
185	019-0011022000QR	LED	Φ3 RED	1	Power indication
186	071-1100000000R	Tying string	100MM YJ-100	15	
187	742-0201000000R	Shrink tube	Φ2 Black	0.1	
188	742-1001000000R	Shrink tube	φ10 Black	0.1	
189	742-3501000000R	Shrink tube	Φ35 Black	0.04	
190	742-0501000000R	Shrink tube	Φ5 Black	0.8	
191	416-1472930003-1R	8200MB User manual		1	

NATIONALITY AVERAGESERVING

R/N	UNIT CODE	P/N	PART NAME	DESCRIPTION	QTY	UNIT	COUNTRY VERSION
1	AH-001341-01B AH-001342-01B	062-5118000201R	Power cord	Black,1.8M,0.75MM2,CCC	1	PCS	CHINA
		031-2200515121HR	FUSE	T6.3AL 250V 5*20MM	1	PCS	
		022-2000044229QR	Transformer	input 230VAC, output 54VAC*2	1	PCS	
		088-1472930300R	PCB	controller pcb assembly 230v	1	PCS	
2	AH-001341-02B AH-001342-02B	062-1315044100R	Power cord	Black,1.8M,0.75MM2	1	PCS	USA
		031-1200519121HR	FUSE	T10AL 250V 5*20MM	1	PCS	
		022-2000044227QR	Transformer	input 115VAC, output 54VAC*2	1	PCS	
		088-1472930301R	PCB	controller pcb assembly 115v	1	PCS	
3	AH-001341-03B AH-001342-03B	062-3118000220R	Power cord	Black,H03VV-F3G0.75MM2,1.8M,PH-307	1	PCS	UK
		031-2200515121HR	FUSE	T6.3AL 250V 5*20MM	1	PCS	
		022-2000044229QR	Transformer	input 230VAC, output 54VAC*2	1	PCS	
		088-1472930300R	PCB	controller pcb assembly 230v	1	PCS	
4	AH-001341-05B AH-001342-05B	062-6318000111R	Power cord	Black,1.8M,VDEH05VV-F3*0.75MM2,VED	1	PCS	Australia
		031-2200515121HR	FUSE	T6.3AL 250V 5*20MM	1	PCS	
		022-2000044229QR	Transformer	input 230VAC, output 54VAC*2	1	PCS	
		088-1472930300R	PCB	controller pcb assembly 230v	1	PCS	
5	AH-001341-06B AH-001342-06B	062-1315044100R	Power cord	Black,1.8M,0.75MM	1	PCS	Taiwan
		031-1200519121HR	FUSE	T10AL 250V 5*20MM	1	PCS	
		022-2000044227QR	Transformer	input 115VAC, output 54VAC*2	1	PCS	
		088-1472930301R	PCB	controller pcb assembly 115v	1	PCS	
6	AH-001341-07B AH-001342-07B	062-2118000220R	Power cord	Black,1.8M, H05VV-F2G0.75MM2	1	PCS	FG
		031-2200515121HR	FUSE	FUSE: T6.3AL 250V 5*20MM	1	PCS	
		022-2000044229QR	Transformer	input 230VAC, output 54VAC*2	1	PCS	
		088-1472930300R	PCB	controller pcb assembly 230v	1	PCS	