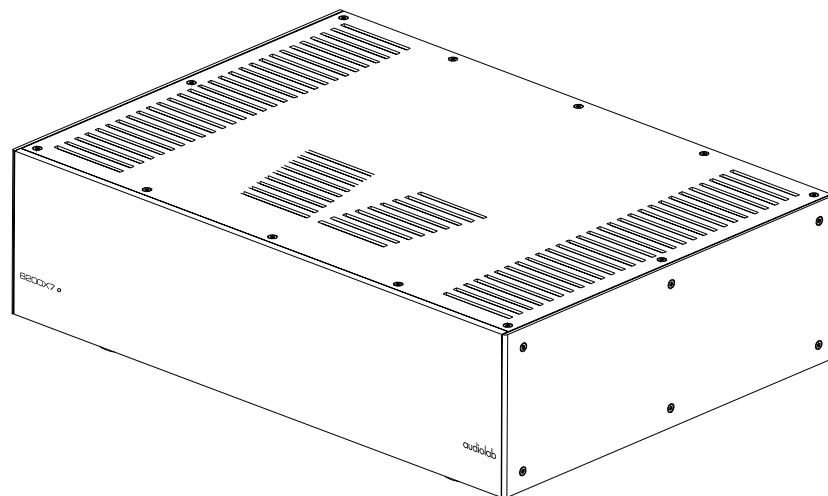


Service Manual

E l e c t r o n i c s

8200X7



1. Introduction	1
2. Specification	2
3. Assembly Sketch	3-4
4. Schematic Diagram	5-13
5. Wiring Diagram	14
6. Silkscreen of Top/Bottom	15-16
7. Maintenance Alignment Procedure	17
8. Assembly Parts List	18-19
9. Electronic Parts List	20-24
10. Product Version Deviation.....	25-26

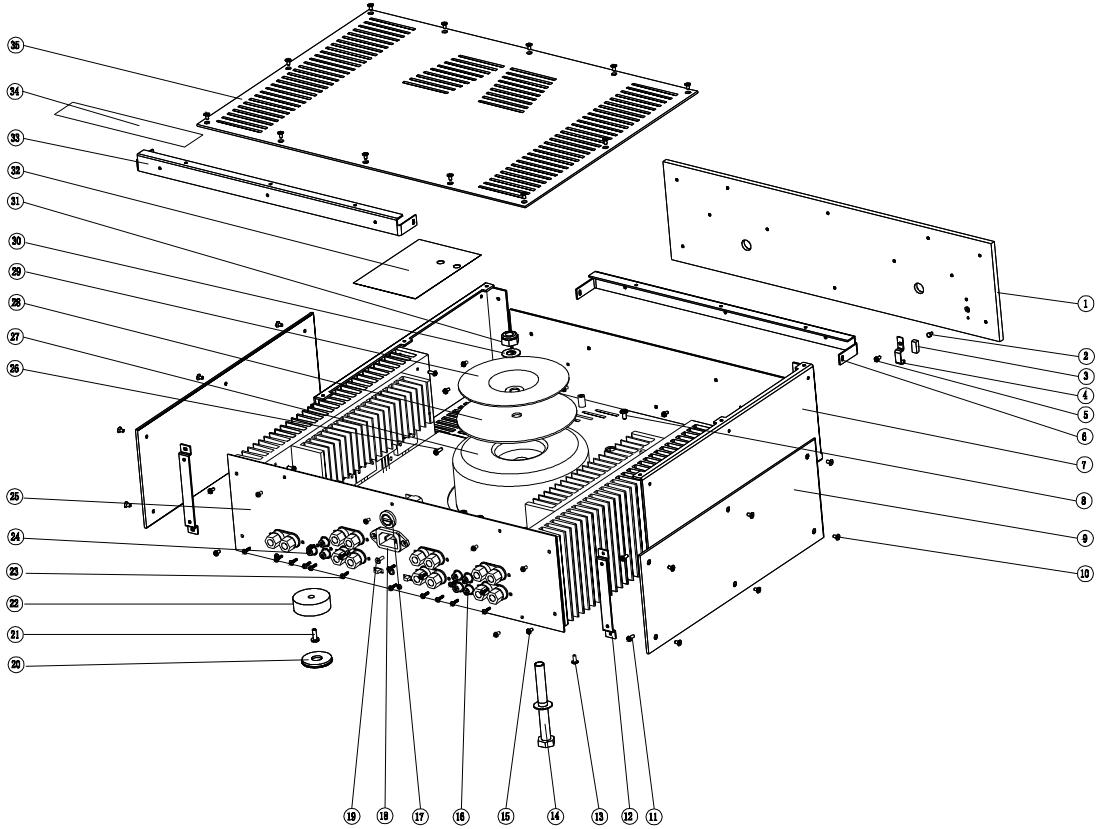
SPECIFICATION

8200X7-Specification and Features-P1/1

Power Output	7×100W into rated load impedance(8Ω)
or	5×100W and 1×150W(8Ω)
or	3×100W and 2×150W(8Ω)
Input for rated power	1.05Vrms
Gain (at 1KHz)	28.8dB
Input Impedance	47kΩ
Signal to Noise Ratio	Better than 90dB (relative to 0 dBW) unweighted
Frequency response (-3dB)	1.5Hz-150kHz
Operating temperature range	10-35°C
AC Supply Voltage	50-60Hz 100, 115V and 220-230V
Power Consumption	Max:1500W
	The voltage is marked on the rear of the unit
Dimensions	448mm×132mm×340mm (WXHxD) (including feet, terminals and controls)
Weight	Net:19kg
	Gross:21.6kg

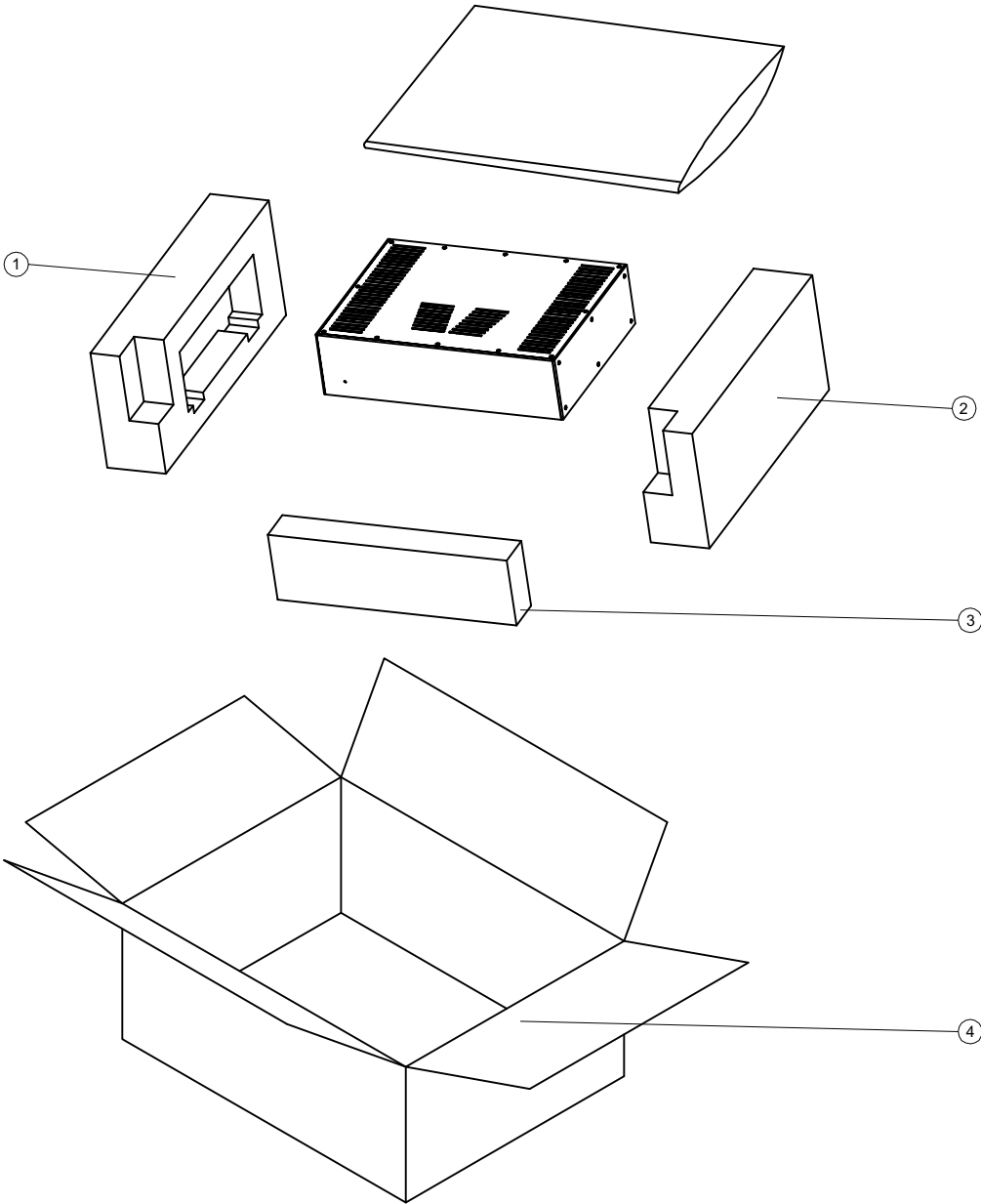
ASSEMBLY SKETCH

8200X7-Product Exploded Drawing-P1/1



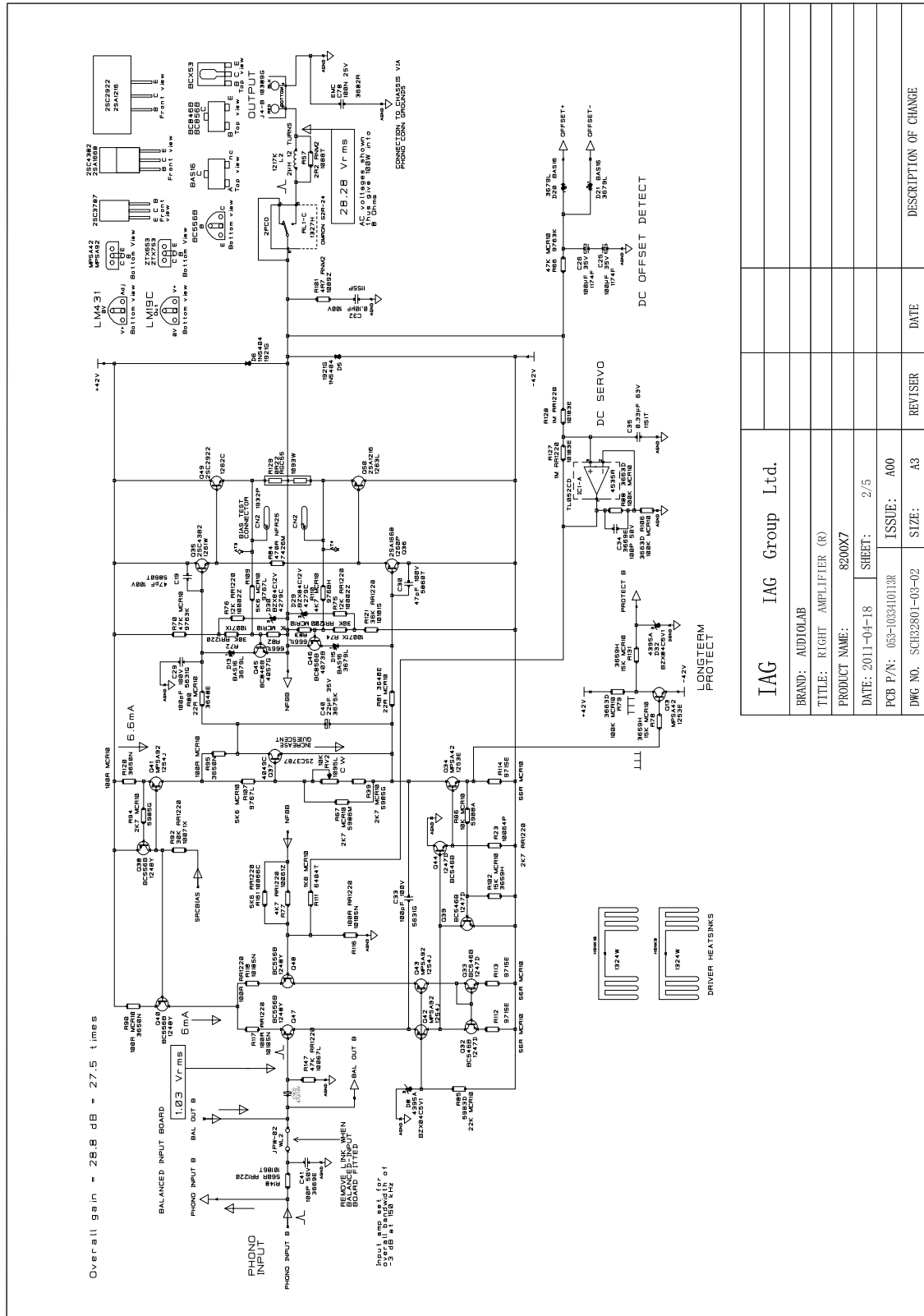
ASSEMBLY SKETCH

8200X7-Packing Exploded Drawing-P1/1



SCHEMATIC DIAGRAM

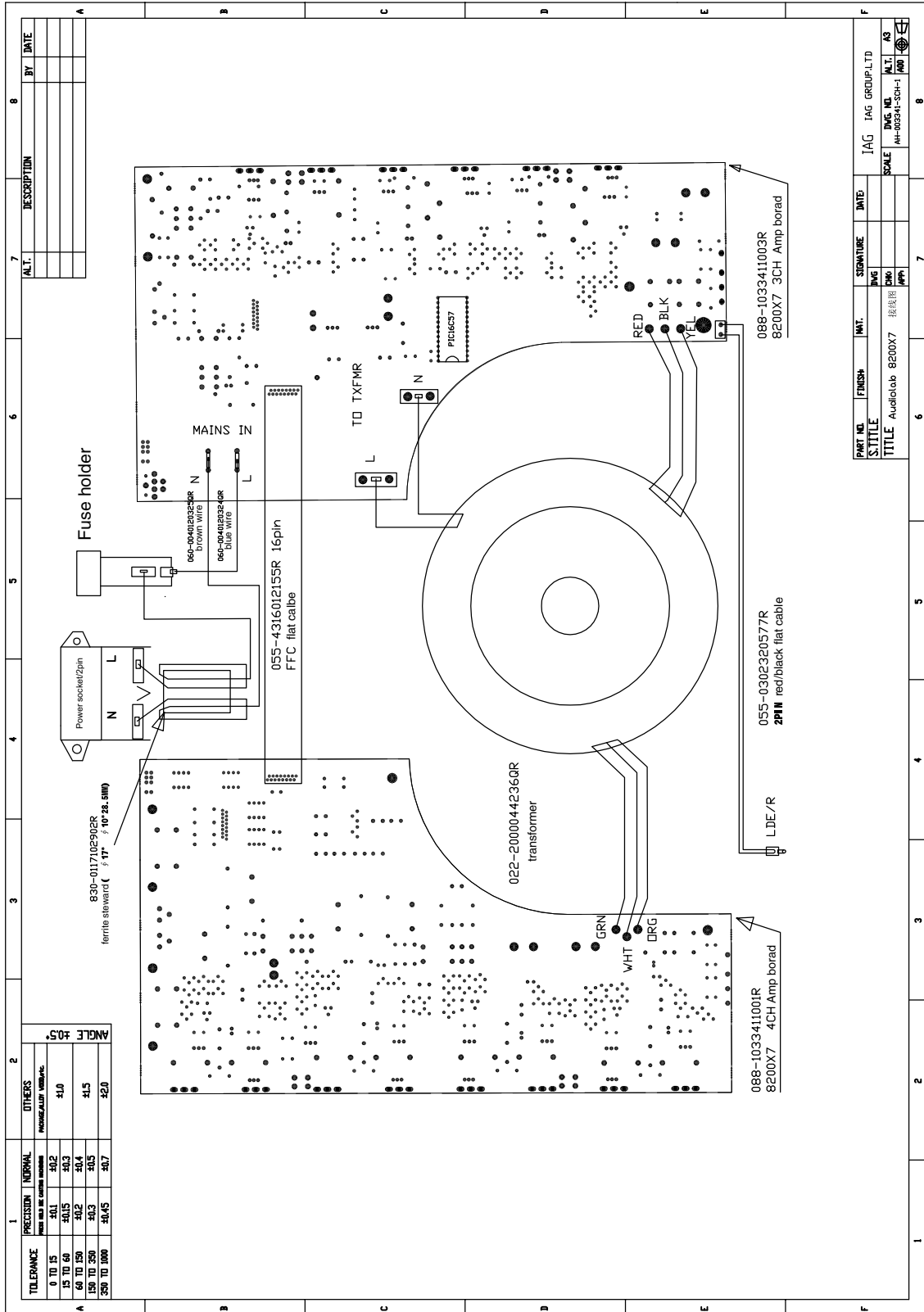
8200X7-3 Channel-Schematic Diagram-P2/5



IAG IAG Group Ltd.	
BRAND: ADDIOLAB	
TITLE: RIGHT AMPLIFIER (R)	
PRODUCT NAME: 8200X7	
DATE: 2011-04-18	SHEET: 2/5
PCB P/N: 059-10391013R	ISSUE: A00
DWG NO. SCH32801-03-02	SIZE: A3
REVISER	DATE
	DESCRIPTION OF CHANGE

WIRING DIAGRAM

8200X7-Wiring Diagram-P1/1



MAINTENANCE ALIGNMENT PROCEDURE

8200X7-Bias Procedure-P1/1

Audiolab 8200X7 Bias Procedure

Please only do this adjustment after all the tests has been passed!

Power on the unit: 230V±2% / 115V ±2% 100V ±2%

After the unit is launched, adjust the potentiometer according to the data in the following table.

8200X7 3CH bias is measured across (LEFT) RV1/ CN1, (RIGHT) RV2/CN2 , (CENTRE) RV3/CN3

8200X7 4CH bias is measured across (BACK LEFT) RV1/ CN1, (SURROUND LEFT) RV2/ CN2 , (BACK RIGHT) RV3/ CN3 , (SURROUND RIGHT) RV4/ CN4

All settings are mV dc

Product	Initial setting	After 15 mins	After 30 mins
8200X7 3CH	15 -20	10 – 11	10.5 – 11.5
8200X7 4CH	15 - 20	2012-10-11	10.5 - 11.5

1: Connecting and setting devices:

- 1) Add an 8Ω load at the output terminals of the aging testing device, turn the voltage of the variac to the rated voltage of the aging testing device.
- 2) connect 1kHz signal output from Audio signal generator into the RCA input of the aging testing device.

2: Proceed aging test:

- 1) Turn the amplitude of the signal generator into the minimum level, and then turn on the aging testing testing device.
- 2) Turn up the amplitude clockwise and gradually to get the output of the aging device reach 10V.
- 3) After checking the output is OK, adjust the variac output according to the following table:

Rated voltage of aging testing device	Variac output voltage
240V	AC250V±2%
220~230V	AC240V±2%
110V	AC120V±2%
100V	AC110V±2%

4: Stay on this testing condition and keep aging continuously for 12-24 hours.

5: Please don't connect the wrong voltage, during the operation. Otherwise the units may get burnt.

6: Unplug the signal cable and load cable of the unit which has passed the aging test. Please power off the testing device, make a mark on the qualified units and place them on the specified area for other tests after the aging test is done.

ASSEMBLY PARTS LIST

8200X7-Product Parts List-P1/1

No.	P/N	PART NAME	DESCRIPTION	QTY	UNIT
1		Front panel	Refer to color deviation Bom	1	PCS
2	019-0011022000QR	LED	LED RED	1	PCS
3	425-0130000652R	EVA foam	4.5*6*130mm(T*W*L) black	0.2	PCS
4	316-1013410000R	pressing board	coated with black paint	1	PCS
5	537-3001060806R	screw	M3*6 star-recessed , black electrophoresed	4	PCS
6	305-1033420000R	front panel bracket	black painted	1	PCS
7		main frame	Refer to color deviation Bom	1	PCS
8	536-4001080301-1R	screw	MB(+)*4*8 NI D	4	PCS
9		side panel	Refer to color deviation Bom	2	PCS
10		Screw	Refer to color deviation Bom	24	PCS
11	537-3001080808R	Screw	M3*8 (star-recessed) black electrophoresed	8	PCS
12	305-1033420002R	Main heatsink bracket	black painted	2	PCS
13		Screw	Refer to color deviation Bom	6	PCS
14		I-type bolt	Refer to color deviation Bom	1	PCS
15		Screw	Refer to color deviation Bom	19	PCS
16	088-1033411001R	4 CH amp PCBA (with hole-through componets assembled)	8200X7 AMP 4 CH amp board	1	PCS
17	050-0411100066R	Fuse holder	FX0418/1	1	PCS
18	044-2260000000R	Power socket	R-301(00)2 PIN 16A 250V	1	PCS
19	537-3002000206R	Screw	M3*10 (star-recessed) black electrophoresed	2	PCS
20	226-0330000411R	Foot pad	Φ33.3*3.8mm black rubber	4	PCS
21	537-4001120208R	Screw	SP(*)*4*12 Zn MC	4	PCS
22	226-0400071411R	feet	Φ40*Φ6.5*13.5mm black rubber	4	PCS
23		Screw	Refer to color deviation Bom	17	PCS
24		3 CH amp PCBA (with hole-through components assembled)	refer to country deviation bom	1	PCS
25		Rear panel	Refer to color deviation Bom	1	PCS
26	537-3010100808R	Screw	SP(*)*3*10, black electrophoresed MC	2	PCS
27	022-2000044236QR	Transformer(Special for QUAD)	TRFMR 230V 800VA 328MAIN	1	PCS
28	231-3130011200R	Rubber pad	φ130*φ10.5*2	2	PCS
29	390-1101201620R	big pressing board	C030.60M	1	PCS
30		flat washer	Refer to color deviation Bom	2	PCS
31		nut	Refer to color deviation Bom	1	PCS
32	274-0180000007R	insulating paper	fishpaper, t=0.18/single side coated with 3M thick glue	1	PCS
33	305-1033420001R	rear panel bracket	coated with black paint	1	PCS
34	055-4316012155R	FFC cable	16P FFC cable L=140MM C-type 1.0MM copper thickness:0.1MM	1	PCS
35		top cover	Refer to color deviation Bom	1	PCS

ASSEMBLY PARTS LIST

8200X7-Packing Parts List-P1/1

No.	P/N	PART NAME	DESCRIPTION	QTY	UNIT
1	401-1033410002R	EPE Foam (Left)	530*230*110 , white (colour)	1	PCS
2	401-1033410001R	EPE Foam (Right)	530*230*110 , white (colour)	1	PCS
3	409-1033410002R	Inner Carton	inside dimension:448*115*55	1	PCS
4	409-1033410001R	Outer Carton	inside dimension:560*532*232mm	1	PCS

ELECTRONIC PARTS LIST

8200X7-Electronic Bom-P1/5

No.	LEVEL	P/N	PART NAME	DESCRIPTION	QTY	UNIT	LOCATION
1	1		3Channel PCBA (with hole-through components assembled)	refer to country deviation bom	1	PCS	
2	2	001-1802205010QR	Resistor	1K8 1/4W 1%	4	PCS	R19.28.190.191
3	2	044-1630000000QR	Socket	4 WAY BINDING POST	1	PCS	J4
4	2	044-7800000000QR	Socket	CON 2 WAY BINDING POST	1	PCS	J5
5	2	031-0050011301QR	FUSE HOLDER	FUSE HOLDER CLIP PCB MOUNT P/N 0751.0056	4	PCS	F1 F2
6	2	051-5200000000QR	Socket	PHONO SOCKET 2W T6302 AAAK	1	PCS	J6
7	2	001-2209308050QR	Resistor	2R2 2W 5%	3	PCS	R56.57.151
8	2	001-0470208010R	Resistor	4R7 L-MF2WS ±1% 2Ws L=11 D=4.5 d=0.78mm	3	PCS	R31.101.192.R31.101.192
9	2	807-0100008031R	silicon tube	white silicon tube. Φ1*3mm, L=1m, flameproof & heatproof	0.06	M	R56.57.151
10	2	001-2208920100QR	Cement Resistor	0R22 7W+7W 10%	3	PCS	R30.129.217
11	2	020-1034117008QR	potentiometer	POT 10K 25% PRESET 6MM	3	PCS	RV1.2.3
12	2	014-3340211028R	CAP	MKS2 330nF 63V 10%	2	PCS	C27.C35
13	2	006-1024122053HR	Electrolytic Cap	1000UF 35V 20% PANASONIC 12.5*20MM 85C PH=5MM ECA1HM102	3	PCS	C5.42.56
14	2	080-0315000010QR	Inductor	1.5UH	3	PCS	L1.2.3
15	2	067-2204002000R	Transistor	IN4002	5	PCS	D16.39.44.45.53
16	2	018-0101668111QR	Transistor	TRAN 2SA1668 PNP TO-220F SANKEN	3	PCS	Q22.36.62
17	2	018-0304382111QR	Transistor	2SC4382 NPN TO-220F SANKEN	3	PCS	Q23.35.61
18	2	017-1380000000R	IC	LM317T(1.5A) TO-220 (ST)	1	PCS	IC2
19	2	017-1390000000R	IC	LM337T(1.5A) TO-220 Fairchild	1	PCS	IC4
20	2	349-1006000011R	Grounding tag	PCB-2	2	PCS	Z1.2
21	2	024-2240501025QR	Relay	G2R-24 2PCO 24V OMRON	2	PCS	RL1.2
22	2	001-0000105050QR	Resistor	0R 1/4W 5%	3	PCS	WL1.2.3
23	2	067-2205404000R	Diode	IN5404	6	PCS	D2.3.5.6.37.38
24	2	057-2541201021R	Socket	2pin PH2.54 1001-02GS	3	PCS	CN1.2.3
25	2	029-0800000000QR	CRYSTAL	CER CSA400MG RESONATOR	1	PCS	X2
26	2	058-2842000000R	IC Socket	DIP 28PIN PH=2.54MM	1	PCS	IC6
27	2	044-1500000000QR	Socket	1W T6346	1	PCS	J3
28	2	016-1011132201QR	POLYSTYRENE CAP	100P/100V 2.5% PCM5 FKP2	6	PCS	C8.10.29.33.50.53
29	2	013-4700340504QR	CAP	CAP 47P 2.5% 100V FKP2	6	PCS	C12.13.19.30.49.51
30	2	044-1420000000QR	Socket	16 WAY PCB FFC VERTICAL	1	PCS	CN5
31	2	044-1310000000QR	Socket	3.5MM STEREO SWITCHED	1	PCS	J10
32	2	008-1003025005R	CAP	MKT 10NF/250V 10%	1	PCS	C36
33	2	024-0240080014QR	Relay	RELAY G8P-1A4P 24DC OMRON	2	PCS	RL4.5
34	2	034-1119992508R	Rectifier	RBV2510	1	PCS	D4
35	2	016-1052110001R	POLYSTYRENE CAP	0.1UF 250V 10% PIN=10MM	4	PCS	C58.65.66.67
36	2	039-1300000000QR	Switch SELECTOR)	Knitter MFP2323R	1	PCS	SW1
37	2	001-1000521050QR	Cement Resistor	10R 17W 5%	1	PCS	R105
38	2	001-4700005050R	Resistor	Fuse Resistor 470R 1/4w 5% FRN	3	PCS	R29 84 176
39	2	017-4200000000QR	IC	IC PIC16C57-XT/P 8-BIT 28PIN MICROCHIP	1	PCS	IC6
40	2	031-1200519121HR	CER Fuse	T10A/250V 215 Series 5*20MM LITTELFUSE	2	PCS	F1 F2
41	2	018-0101216110QR	Transistor	TRAN 2SA1216 PNP MT-200 SANKEN	3	PCS	Q14.50.76
42	2	018-0302922110QR	Transistor	TRAN 2SC2922 NPN MT-200 SANKEN	3	PCS	Q15 49 75
43	2	018-0303787113QR	Transistor	2SC3787 NPN TP-126ML SANYO	3	PCS	Q12 37 63
44	2	066-1100000000QR	Temperature Switch	THERMAL CUT-OUT SWITCH 100 degree	1	PCS	Z26
45	2	056-4102220000R	Socket	JS-1001-02	1	PCS	J1
46	2	306-1033420000-1R	main heatsink	anodized black	1	PCS	
47	2	588-3000186037R	screw	M3*18 (star recessed)	2	PCS	
48	2	318-1398000000R	metallic part of fastening	20*12.8*1.0mm	3	PCS	
49	2	318-1398000001R	thermistor	0.5mm	1	PCS	
50	2	324-0280220101R	mica sheet	TO-3P(no hole)	3	PCS	

ELECTRONIC PARTS LIST

8200X7-Electronic Bom-P2/5

No.	LEVEL	P/N	PART NAME	DESCRIPTION	QTY	UNIT	LOCATION
51	2	324-0380250101QR	silicon pad	38*25MM	6	PCS	
52	2	513-3007050080R	flat washer	φ3*φ7*0.5 Zn	9	PCS	
53	2	513-4008080300AR	flat washer M4 Zn	φ4*φ8*0.8	3	PCS	
54	2	534-3001120003R	screw	M3*12 NI hardened	12	PCS	
55	2	306-1398000000R	heat sink	17.5*12*13.5mm anodized	8	PCS	
56	2	223-0414210201R	Plastic Post	WhiteABS PW-6 H=2mmD=1.4mm d=4mm	2	PCS	
57	2	016-1041110001HR	POLYSTYRENE CAP	0.1UF/100V 10% MKS4 10PCM WIMA WIMA	3	PCS	C15.32.52
58	2	016-4740810001R	POLYSTYRENE CAP	0U47 10% 63V MKS2 WIMA PH5MM	2	PCS	C60 61
59	2	018-1400546115-1R	Transistor	BC546BRL1G TO-92 ON	12	PCS	Q1.16.17.18.32.33.39.44.58.5 9.65.70
60	2	006-1034101233R	Electrolytic Cap	1000UF/16V 20% 10*12.5 85°C LELON REA Series	1	PCS	C3
61	2	018-1400556115-1R	Transistor	BC556B PNP TO-92 Fairchild	12	PCS	Q1.2.6.8.38.40.47.48.64.66.73. 74
62	2	086-0500000001R	plug-in blade	PC250	4	PCS	Z10,11,20,21
63	2						
64	2	018-2700092115R	Transistor	MPSA92 TO-92 ON	10	PCS	Q7.9.10.26.41.42.43.67.68.69
65	2	006-4704051133HR	Electrolytic Cap	ELNA 47U 20% 16V RE3- 16V470ME3 5*11mm	3	PCS	C9,C100,C101
66	2	018-4200042115R	Transistor	MPSW42 TO-92(ON)	7	PCS	Q3.13.19.27.34.55.60
67	2	006-1014081163HR	Electrolytic Cap	ELNA100U 20% 50V RE3- 50V101MG3 8*11.5mm	7	PCS	C2.22.23.25.26.43.48
68	2	022-1000011000R	Transformer	AC 230V Output18V*2 EI Vertical PCB No Load MAX 0.8W P/N:T09457A	1	PCS	T1
69	2	006-1034358063QR	Electrolytic Cap	10000U 20% 50V	2	PCS	C16.17
70	2	103-0100000200R	stannum bar without plumbum	Sn99.3 Cu0.7	0.021	KG	
71	2	306-1033410000R	heatsink	200*40*50/ black, anodized	1	PCS	
72	2	537-3001171001R	screw	MP (+) 3*17 black	7	PCS	
73	2	846-0010000001R	Fuse Cover	transparent FUSE-1 (20*11*6MM)	2	PCS	F1,F2
74	2	088-1033411002R	3 Channel PCBA (with smt components assembled)	8200X7 AMP 3 Channel PCBA	1	PCS	
75	3	053-1033410113R	8200X7 3Channel PCB A01	FR-4 KB T=1.6MM, 4L 2OZ, blue resistor/white words OSP	1	PCS	
76	3	002-1203022005R	Resistor	12K 25PPM 0.1W 0.5% 0805	6	PCS	R44.45.75.76.164.165
77	3	002-3902022005QR	Resistor	3K9 25PPM 0.1W 0.5% 0805	1	PCS	R168
78	3	002-5602022005R	Resistor	5K6 25PPM 0.1W 0.5% 0805	2	PCS	R158.161
79	3	002-4703022005R	Resistor	47K 25PPM 0.1W 0.5% 0805	3	PCS	R1.147.219
80	3	002-3003022005R	Resistor	30K 25PPM 0.1W 0.5% 0805	9	PCS	R11.48.51.72.74.92.162.163.1 82
81	3	002-8202022005R	Resistor	8K2 25PPM 0.1W 0.5% 0805	1	PCS	R181
82	3	002-3603022005QR	Resistor	36K 25PPM 0.1W 0.5% 0805	3	PCS	R41.121.214
83	3	002-1005022005QR	Resistor	1M 25PPM 0.1W 0.5% 0805	4	PCS	R64.108.127.128
84	3	002-1001022005R	Resistor	100R 25PPM 0.1W 0.5% 0805	9	PCS	R3.7.63.116.117.118.209.210. 211
85	3	002-5601022005R	Resistor	560R 25PPM 0.1W 0.5% 0805	3	PCS	R6.148.220
86	3	034-2444000200R	Rectifier	DB154S 1.5A 400V	1	PCS	D48
87	3	002-2200032010R	Resistor	22Ω 1/8W 1% 0805	6	PCS	R43.46.80.81.172.173
88	3	002-4701032010R	Resistor	470Ω 1/8W 1% 0805	1	PCS	R14
89	3	002-1503032010R	Resistor	15K 1/8W 1% 0805	9	PCS	R2.20.54.78.102.131.132.170. 193
90	3	002-3303032010R	Resistor	33K 1/8W 1% 0805	2	PCS	R38.138
91	3	007-2200052060R	Resistor	22PF 50V 5% NPO 0805	2	PCS	C71.72
92	3	007-1001052060R	CAP	100PF50V 5% NPO 0805	12	PCS	C18.28.31.34.37.38.39.41.44.4 5.46.62
93	3	007-1002062060R	CAP	1nF CP50V 10% 0805	1	PCS	C7
94	3	007-1003062060R	CAP	10nF 50V 10% 0805	5	PCS	C11.47.54.55.57
95	3	006-2204060655R	Electrolytic Cap	22U/35V 20% φ6.3*5.3mm	6	PCS	C6.40.59.63.64.70

ELECTRONIC PARTS LIST

8200X7-Electronic Bom-P3/5

No.	LEVEL	P/N	PART NAME	DESCRIPTION	QTY	UNIT	LOCATION
96	3	067-1100016110R	Diode	BAS16 SOT-23 FAIRCHILD	21	PCS	D7.11.12.13.14.15.17.18.20.21 .22.23.25.31.34.40 D41.43.52.59.60
97	3	007-1004062040R	CAP	0.1uF 25V 10% 0805	13	PCS	C1.4.20.68.69.73.74.75.76.77. 78.79.80
98	3	002-0100032050R	Resistor	1Ω 5% 1/8W(PK:0805)	1	PCS	R123
99	3	002-1005032010R	Resistor	1MΩ 1/8W 1% 0805	1	PCS	R149
100	3	007-4701052060QR	CAP	470PF 50V 5% NPO	1	PCS	C83
101	3	007-4703062060R	CAP	47nF CP50V 10% 0805	2	PCS	C21 24
102	3	018-1400846227R	Transistor	BC846 BLT1 SOT-23 PHILIPS	6	PCS	Q4.20.24.25.45.71
103	3	018-1400856227R	Transistor	BC856 BLT1 SOT-23	3	PCS	Q21.46.72
104	3	067-3308412110QR	Zener Diode	BZX84C 12V SOT-23	6	PCS	D9.10.29.30.46.47
105	3	017-5330000000R	IC	TL062CDT S08 ST	3	PCS	IC3.7.8
106	3	018-1400056228QR	Transistor	BCX56 NPN 1W SOT-89	3	PCS	Q5.29.30
107	3	067-7700084110R	Diode	BZX84-C 2.4V Philips	4	PCS	D35.36.54.61
108	3	067-3308451110QR	Zener Diode	BZX84 5V1 SMD SOT-23	16	PCS	D1.8.19.24.26.27.32.33.42.49. 50.51.55.56.57.58
109	3	017-0534000000R	IC	TL052CDR 8PIN	1	PCS	IC1
110	3	017-5590000000R	IC	LM317L +ADJ REG 3-TERM S08 NATIONAL SEMICONDUCTOR	1	PCS	IC5
111	3	002-2201032010R	Resistor	220Ω 1/8W 1% 0805	1	PCS	R139
112	3	002-2202032010R	Resistor	2.2K 1/8W 1% 0805	1	PCS	R179
113	3	002-6802032010R	Resistor	6.8KΩ 1/8W 1% 0805	3	PCS	R34.37.89
114	3	002-1003032010R	Resistor	10KΩ 1/8W 1% 0805	26	PCS	R99.134.137.140.141.142.143. 145.146.152.153.155.156.167. 178.8.12.22.36.40.69.71.86.96. 97.98
115	3	002-1502032010R	Resistor	1.5K 1/8W 1% 0805	3	PCS	R32.91.169
116	3	031-0050011304QR	Fuse	T1.5A 125V SMD NANO2	2	PCS	F4 5
117	3	002-1802032010R	Resistor	1.8K 1/8W 1% 0805	2	PCS	R24.111
118	3	002-1002032010R	Resistor	1K 1/8W 1% 0805	8	PCS	R49.50.82.83.93.174.175.58
119	3	002-5600032010QR	Resistor	56R 1/8W 1%	9	PCS	R17.18.104.112.113.114.205.2 06.207
120	3	002-6201032010R	Resistor	620Ω 1/8W 1% 0805	2	PCS	R4.16
121	3	002-4703032010R	Resistor	47KΩ 1/8W 1% 0805	6	PCS	R47.61.66.70.150.160
122	3	002-2702032010R	Resistor	2.7KΩ 1/8W 1% 0805	9	PCS	R15.27.39.42.67.94.154.157.1 84
123	3	002-5602032010R	Resistor	5.6KΩ 1/8W 1% 0805	8	PCS	R25.52.107.109.122.133.197.1 99
124	3	002-4702032010R	Resistor	4.7K 1/8W 1% 0805	5	PCS	R53.59.110.130.200
125	3	002-2203032011R	Resistor	220K 1/8W 0805 1%	2	PCS	R100 115
126	3	002-2203032010R	Resistor	22K 1/8W 1% 0805	4	PCS	R10 35 85 177
127	3	002-1001032010R	Resistor	100Ω 1/8W 1% 0805	9	PCS	R9.13.26.90.95.120.135.180.1 85.213
128	3	002-1004032010R	Resistor	100KΩ 1/8W 1% 0805	19	PCS	R125.136.144.166.171.R33.55. 60.62.65.68.73.79.87.88.103.1 06.119.124
129	3	002-2702022005QR	Resistor	2.7K 0.1W 0.5% 0805	4	PCS	R21.23.126.159
130	3	002-4702022005QR	Resistor	4.7K 0.1W 0.5% 0805	2	PCS	R5.77
131	1	088-1033411001R	4 Channel PCBA	8200X7 AMP 4 Channel PCBA	1	PCS	
132	2	001-1802205010QR	Resistor	1K8 1/4W 1%	4	PCS	R190.191.194.195
133	2	044-1630000000QR	Socket	4 WAY BINDING POST	2	PCS	J4.5
134	2	031-0050011301QR	FUSE HOLDER	FUSE HOLDER CLIP PCB MOUNT P/N 0751.0056	4	PCS	F1.2
135	2	001-2209308050QR	Resistor	2R2 2W 5%	4	PCS	R56.57.68.151
136	2	001-4709208050QR	Resistor	4R7 2W 5% RNM2	4	PCS	R31.101.192.201
137	2	001-2208920100QR	Cement Resistor	0R22 7W+7W 10%	4	PCS	R30.129.217.238
138	2	020-1034117008QR	potentiometer	POT 10K 25% PRESET 6MM	4	PCS	RV1-RV4
139	2	080-0315000010QR	Inductor	1.5UH	4	PCS	L1-L4
140	2	067-2204002000R	Diode	IN4002	2	PCS	D16.39

ELECTRONIC PARTS LIST

8200X7-Electronic Bom-P4/5

No.	LEVEL	P/N	PART NAME	DESCRIPTION	QTY	UNIT	LOCATION
142	2	018-0304382111QR	Transistor	2SC4382 NPN TO-220F SANKEN	4	PCS	Q23.35.57.61
143	2	017-0270000000R	IC	NE5532P DIP-8P TI	4	PCS	IC1-IC4
144	2	349-1006000011R	Grounding terminal	PCB-2	2	PCS	Z1.Z2
145	2	024-2240501025QR	Relay	G2R-24 2PCO 24V OMRON	2	PCS	RL1.RL2
146	2	001-0000105050QR	Resistor	0R 1/4W 5%	4	PCS	WL1-WL4
147	2	067-2205404000R	Diode	IN5404	8	PCS	D2.3.5.6.19.35.37.38
148	2	057-2541201021R	Socket	2pin PH2.54 1001-02GS	4	PCS	CN1-CN4
149	2	016-1011132201QR	POLYSTYRENE CAP	100P/100V 2.5% PCM5 FKP2	8	PCS	C8.10.29.31.33.42.50.53
150	2	013-4700340504QR	CAP	CAP 47P 2.5% 100V FKP2	8	PCS	C12.13.19.20.30.36.49.51
151	2	044-1420000000QR	Socket	16 WAY PCB FFC VERTICAL	1	PCS	CN6
152	2	034-1119992508R	Rectifier	RBV2510	1	PCS	D4
153	2	016-1052110001R	POLYSTYRENE CAP	0.1UF 250V 10% PIN=10MM	4	PCS	C58.65.66.72
154	2	039-1300000000QR	Switch SELECTOR	Knitter MFP2323R	1	PCS	SW1
155	2	001-4700005050R	Resistor	Fuse Resistor 470R 1/4w 5% FRN	4	PCS	R29.84.176.245
156	2	051-6200000000R	Socket	T6288 AAAP Black/Black Overgild 4pin	1	PCS	J6
157	2	031-1200519121HR	CER Fuse	Fuse T10A/250V 215Series 5*20MM LITTELFUSE	2	PCS	F1 F2
158	2	018-0101216110QR	Transistor	TRAN 2SA1216 PNP MT-200 SANKEN	4	PCS	Q14.50.76.93
159	2	018-0302922110QR	Transistor	TRAN 2SC2922 NPN MT-200 SANKEN	4	PCS	Q15.49.75.92.
160	2	018-0303787113QR	Transistor	2SC3787 NPN TP-126ML SANYO	4	PCS	Q12.37.63.80
161	2	306-1033420000-1R	Main heatsink	black anodized	1	PCS	
162	2	588-3000186037R	screw	M3*18 (star recessed)	2	PCS	
163	2	306-1398000000R	heat sink	17.5*12*13.5mm anodized	8	PCS	
164	2	318-1398000000R	metallic part of fastening	20*12.8*1.0mm	4	PCS	
165	2	318-1398000001R	thermistor	0.5mm	1	PCS	
166	2	324-0280220101R	Mica	TO-3P	4	PCS	
167	2	324-0380250101QR	Silicon pad	38*25MM	8	PCS	
168	2	513-3007050080R	flat washer	φ3*φ7*0.5 Zn	12	PCS	
169	2	513-4008080300AR	flat washer M4 Zn	φ4*φ8*0.8	4	PCS	
170	2	534-3001120003R	Screw	M3*12 NI hardened	16	PCS	
171	2	016-1041110001HR	POLYSTYRENE CAP	0.1UF/100V 10% MKS4 10PCM WIMA WIMA	4	PCS	C15.32.37.52.
172	2	016-4740810001R	POLYSTYRENE CAP	0U47 10% 63V MKS2 WIMA PH5MM	2	PCS	C70.71
173	2	018-1400546115-1R	Transistor	BC546BRL1G TO-92 ON	16	PCS	Q11.16.17.18.32.33.39.44.51.5 2.58.59.65.70.82.87
174	2	006-1034101233R	Electrolytic Cap	1000UF/16V 20% 10*12.5 85°C LELON REA Series	4	PCS	
175	2	018-1400556115-1R	Transistor	BC556B PNP TO-92 Fairchild	16	PCS	Q1.2.6.8.38.40.47.48.64.66.73. 74.81.83.90.91
176	2	807-0100008031R	Silicon tube	white silicon tube, φ1*3mm,L=1m, flameproof & heatproof	0.08	M	R31.101.192.201.R56.57.68.15 1
177	2	018-2700092115R	Transistor	MPSA92 TO-92 ON	13	PCS	Q7.9.10.26.41.42.43.67.68.69. 84.85.86
178	2	060-3240000411R	Wire	UL1007 AWG24Black	0.8	M	
179	2	060-3240000011R	Wire	UL1007 AWG24 Red	0.8	M	
180	2	742-0301000000R	heatsink	φ3 Black	1.5	M	
181	2	018-4200042115R	Transistor	MPSW42 TO-92(ON)	9	PCS	Q3.13.19.25.27.34.55.56.60
182	2	006-1014081163HR	Electrolytic Cap	ELNA100U 20% 50V RE3- 50V101MG3 8*11.5mm	9	PCS	C2.22.23.25.26.43.48.68.69
183	2	006-1034358063QR	Electrolytic Cap	10000U 20% 50V	2	PCS	C16.17
184	2	103-0100000200R	Stannum bar without plumbum	Sn99.3 Cu0.7	0.024	KG	
185	2	306-1033410000R	Heatsink	200*40*50/ anodized black	1	PCS	
186	2	537-3001171001R	Screw	MP (+) 3*17	7	PCS	
187	2	066-0130000000R	Temperature Switch	130°C 250V 10A	1	PCS	
188	2	846-0010000001R	Fuse Cover	transparent FUSE-1 (20*11*6MM)	2	PCS	F1,F2
189	2	088-1033411000R	4 Channel PCBA (with SMT parts assembled)	8200X7 AMP 44 Channel AMP PCBA	1	PCS	

ELECTRONIC PARTS LIST

8200X7-Electronic Bom-P5/5

No.	LEVEL	P/N	PART NAME	DESCRIPTION	QTY	UNIT	LOCATION
190	3	053-1033410013R	8200X7 4Channel PCB ISS A01	FR-4 KB T=1.6MM, 4layers 2OZ, blue solder resister/white words environment-friendly OSP	1	PCS	
191	3	002-1203022005R	Resistor	12K 25PPM 0.1W 0.5% 0805	8	PCS	R44.45.75.76.105.115.164.165
192	3	002-3902022005QR	Resistor	3K9 25PPM 0.1W 0.5% 0805	4	PCS	R5.77.123.168
193	3	002-8202022005R	Resistor	8K2 25PPM 0.1W 0.5% 0805	4	PCS	R161.166.169.179
194	3	002-4703022005R	Resistor	47K 25PPM 0.1W 0.5% 0805	5	PCS	R1.38.65.147.219
195	3	002-3003022005R	Resistor	30K 25PPM 0.1W 0.5% 0805	8	PCS	R48.51.72.74.100.103.162.163
196	3	002-3603022005QR	Resistor	36K 25PPM 0.1W 0.5% 0805	4	PCS	R41.121.214.237
197	3	002-1001022005R	Resistor	100R 25PPM 0.1W 0.5% 0805	12	PCS	R3.7.63.R116.117.118.209.210.211.232.233.234
198	3	002-5601022005R	Resistor	560R 25PPM 0.1W 0.5% 0805	4	PCS	R6.148.220.244
199	3	002-2002022005R	Resistor	2K 25PPM 0.1W 0.5% 0805	4	PCS	R8.16.58.59
200	3	002-4701022005R	Resistor	470R 25PPM 0.1W 0.5% 0805	6	PCS	R14.19.54.55.60.71
201	3	002-2200032010R	Resistor	22Ω 1/8W 1% 0805	8	PCS	R43.46.80.81.130.133.172.173
202	3	002-1001032010R	Resistor	100Ω 1/8W 1% 0805	12	PCS	R9.13.26.90.95.120.158.180.185.189.213.236
203	3	002-1503032010R	Resistor	15K 1/8W 1% 0805	12	PCS	R2.20.24.32.33.34.78.102.124.170.193.221
204	3	002-3303032010R	Resistor	33K 1/8W 1% 0805	1	PCS	R4
205	3	002-1004032010R	Resistor	100KΩ 1/8W 1% 0805	6	PCS	R37.62.79.89.125.171
206	3	007-2200052060R	CAP	22PF 50V 5% NPO 0805	1	PCS	C14
207	3	007-1001052060R	CAP	100PF50V 5% NPO 0805	4	PCS	C18.41.62.67
208	3	006-1000050550R	Electrolytic Cap	10UF/35V 5*5.5MM K	1	PCS	C81
209	3	006-2204060655R	Electrolytic Cap	22U/35V 20% 66.3*5.3mm	5	PCS	C6.40.59.63.64
210	3	067-1100016110R	SMD Diode	BAS16 SOT-23 FAIRCHILD	18	PCS	D7.11.12.13.14.15.17.18.20.21.25.31.40.41.43.44.D54.55
211	3	007-1004062040R	CAP	0.1uF 25V 10% 0805	7	PCS	C21.34.35.77.78.79.80
212	3	002-0100032050R	Resistor	1Ω 5% 1/8W(PK:0805)	1	PCS	R93
213	3	007-3301052060R	CAP	330PF 5% NPO50V 5% 0805	4	PCS	C24.27.39.44
214	3	007-4703062060R	CAP	47nF CP50V 10% 0805	3	PCS	C3.4.9
215	3	018-1400846227R	Transistor	BC846 BLT1 SOT-23 PHILIPS	4	PCS	Q20.45.71.88
216	3	018-1400856227R	Transistor	BC856 BLT1 SOT-23	4	PCS	Q21.46.72.89
217	3	067-3308412110QR	Zener Diode	BZX84C 12V SOT-23	8	PCS	D9.10.29.30.46.47.48.51
218	3	017-5330000000R	SMD IC	TL062CDT SO8 ST	1	PCS	IC5
219	3	018-1400056228QR	Transistor	BCX56 NPN 1W SOT-89	1	PCS	Q4
220	3	067-7700084110R	SMD Diode	BZX84-C 2.4V Philips	2	PCS	D23.24
221	3	067-3308451110QR	Zener Diode	BZX84 5V1 SMD SOT-23	4	PCS	D1.8.42.45
222	3	002-1003032010R	Resistor	10KΩ 1/8W 1% 0805	14	PCS	R11.22.40.64.86.91.92.99.127.143.155.167.178.182
223	3	002-1502032010R	Resistor	1.5K 1/8W 1%	1	PCS	R106
224	3	002-1002032010R	Resistor	1K 1/8W 1% 0805	8	PCS	R49.50.82.83.140.141.174.175
225	3	002-5600032010QR	Resistor	56R 1/8W 1% 0805	12	PCS	R17.18.104.112.113.114.205.206.207.229.230.231.
226	3	002-4703032010R	Resistor	47KΩ 1/8W 1% 0805	11	PCS	R36.47.61.66.70.88.96.98.150.160.246
227	3	002-2702032010R	Resistor	2.7KΩ 1/8W 1% 0805	16	PCS	R184.188.R15.21.23.27.28.39.42.67.69.94.R97.R154.157.159
228	3	002-5602032010R	Resistor	5.6KΩ 1/8W 1% 0805	11	PCS	R12.25.52.107.109.119.126.197.199.222.224
229	3	002-4702032010R	Resistor	4.7K 1/8W 1% 0805	5	PCS	R53.73.110.200.225
230	3	002-2203032011R	Resistor	220K 1/8W 0805 1%	1	PCS	R87
231	3	002-2203032010R	Resistor	22K 1/8W 1% 0805	5	PCS	R10.35.85.149.177
232	1		Fuse	refer to country deviation bom	1	PCS	
233	1		Mains Cable	refer to country deviation bom	1	PCS	
234	1		Transformer	refer to country deviation bom	1	PCS	

PRODUCT VERSION DEVIATION

8200X7-Color Deviation-P1/1

No.	UNIT CODE	COLOR	P/N	PART NAME	DESCRIPTION	PRODUCT LIST LOCATION	QTY	UNIT
1	AH-003341-01A AH-003341-02A AH-003341-03A AH-003341-05A AH-003341-06A AH-003341-07A AH-003341-12A	Silver	300-1033420000R	Front panel	inished , engraved , anodized, silver	1	1	PCS
			309-1033420000R	Main frame	ainted silver	7	1	PCS
			319-1033410000R	Side panel	sandblasted , anodized silver	9	2	PCS
			534-3002061006R	Screw	M3*6 (star-recessed) iron paltd with nickle	10	24	PCS
			588-3000086037R	Screw	M3*8 (star-recessed) iron paltd with nickle	13	6	PCS
			575-0010090400R	I-type bolt	M10*90, plated with white zinc	14	1	PCS
			588-3000066037R	Bolt	M3*6 (star-recessed) plated with white zinc	15	19	PCS
			588-3000106037R	Screw	M3*10 (star-recessed) plated with white zinc	23	17	PCS
			301-1033420000R	Rear panel	ainted silver, silkscreened	25	1	PCS
			513-1020100300R	Flat washer	Φ20*Φ10*1.0mm	30	2	PCS
			573-1398000102R	Nut	M10 plated with plated with white zinc GB889-86	31	1	PCS
			302-1033420000R	Top cover	sandblasted , anodized, silver	35	1	PCS
			2	AH-003342-01A AH-003342-02A AH-003342-03A AH-003342-05A AH-003342-06A AH-003342-07A AH-003342-12A	Black	300-1033420001R	Front panel	inished , engraved , anodized, black
309-1033420001R	Main frame	ainted black				7	1	PCS
319-1033410001R	Side panel	sandbalsted , anodized black				9	2	PCS
537-3001060806R	Screw	M3*6 (star-recessed) black				10	24	PCS
537-3001080808R	Screw	M3*8 (star-recessed) black				13	6	PCS
575-1010090500R	I-type bolt	M10*90, black electrophoresed				14	1	PCS
537-3001060806R	Bolt	M3*6 star-recessed black electrophoresed				15	19	PCS
527-3012100806R	Screw	M3*10 (star-recessed) electrophoresed				23	17	PCS
301-1033420001R	Rear panel	ainted black, silkscreened				25	1	PCS
513-1020100800R	Flat washer	Φ20*Φ10*1.0mm plated with black zinc				30	2	PCS
573-1442000000R	Nut	M10 plated with black zinc, GB889 86				31	1	PCS
302-1033420001R	Top cover	sandblasted , anodized, black				35	1	PCS

PRODUCT VERSION DEVIATION

8200X7-Country Deviation-P1/1

No.	UNIT CODE	COUNTRY	P/N	PART NAME	DESCRIPTION	PRODUCT PARTS LIST	ELECTRONIC PARTS LIST	QTY	UNIT
1	AH-003341-01A AH-003342-01A	CHN	031-2320619122R	Fuse	T10A/250V/6*32mm		232	1	PCS
			022-2000044236QR	Transformer	TRFMR 230V 800VA 328MAIN		234	1	PCS
			088-1033411003R	3CH amp board	3 Channel PCBA / 230V	24	1	1	PCS
			062-6118000220R	mains cable	CCC mains cable		233	1	PCS
2	AH-003341-02A AH-003342-02A	USA	031-1320622121HR	Fuse	T15A/250V 326 6*32MM LITTELFUSE		232	1	PCS
			022-2000042257R	Transformer	115V D=160mm H=86mm OUTPUT 34.5*2/5.7A 36V*2/7.6A		234	1	PCS
			088-1033411020R	3CH amp board	3 Channel PCBA / 115V	24	1	1	PCS
			062-1315044100R	mains cable	UL mains cable		233	1	PCS
3	AH-003341-03A AH-003342-03A	UK	031-2320619122R	Fuse	T10A/250V/6*32mm		232	1	PCS
			022-2000044236QR	Transformer	TRFMR 230V 800VA 328MAIN		234	1	PCS
			088-1033411003R	3CH amp board	3 Channel PCBA / 230V	24	1	1	PCS
			062-3118000220R	mains cable	UK mains cable		233	1	PCS
4	AH-003341-05A AH-003342-05A	AUS	031-2320619122R	Fuse	T10A/250V/6*32mm		232	1	PCS
			022-2000044236QR	Transformer	TRFMR 230V 800VA 328MAIN		234	1	PCS
			088-1033411003R	3CH amp board	3 Channel PCBA / 230V	24	1	1	PCS
			062-6318000111R	mains cable	AUS mains cable		233	1	PCS
5	AH-003341-06A AH-003342-06A	TW	031-1320622121HR	Fuse	T15A/250V 326 6*32MM LITTELFUSE		232	1	PCS
			022-2000042257R	Transformer	115V D=160mm H=86mm OUTPUT 34.5*2/5.7A 36V*2/7.6A		234	1	PCS
			088-1033411020R	3CH amp board	3 Channel PCBA / 115V	24	1	1	PCS
			062-7118000200R	mains cable	TW mains cable		233	1	PCS
6	AH-003341-07A AH-003342-07A	FG	031-2320619122R	Fuse	T10A/250V/6*32mm		232	1	PCS
			022-2000044236QR	Transformer	TRFMR 230V 800VA 328MAIN		234	1	PCS
			088-1033411003R	3CH amp board	3 Channel PCBA / 230V	24	1	1	PCS
			062-2118000220R	mains cable	CE mains cable		233	1	PCS
7	AH-003341-12A AH-003342-12A	JP	031-2320619122R	Fuse	T15A/250V 326 6*32MM LITTELFUSE		232	1	PCS
			022-2000064010R	Transformer	100V D=160mm H=86mm OUTPUT 34.5*2/5.7A 36V*2/7.6A		234	1	PCS
			088-1033411090R	3CH amp board	3 Channel PCBA / 100V	24	1	1	PCS
			062-4220000200R	mains cable	JP mains cable		233	1	PCS