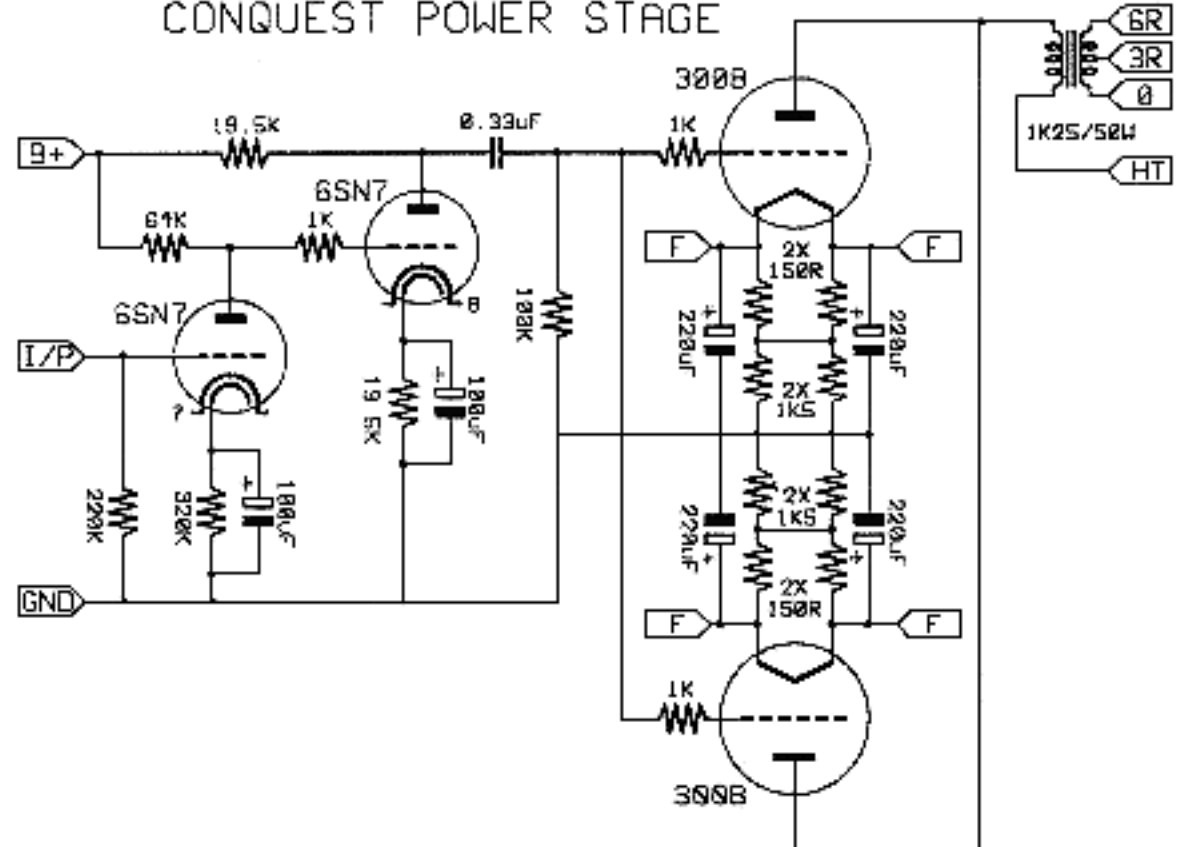
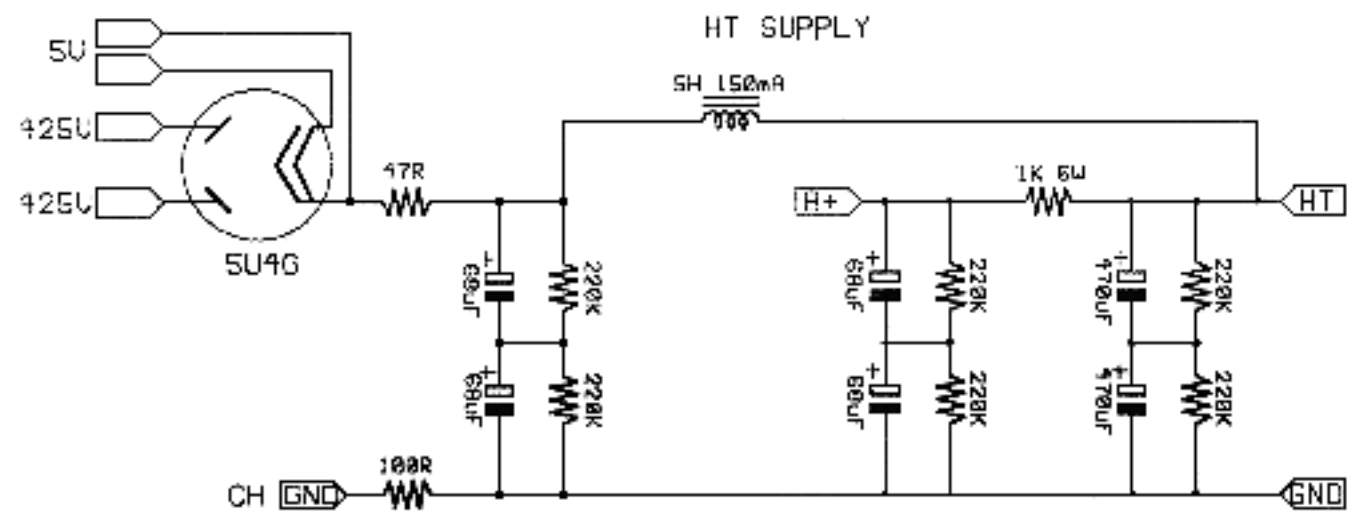


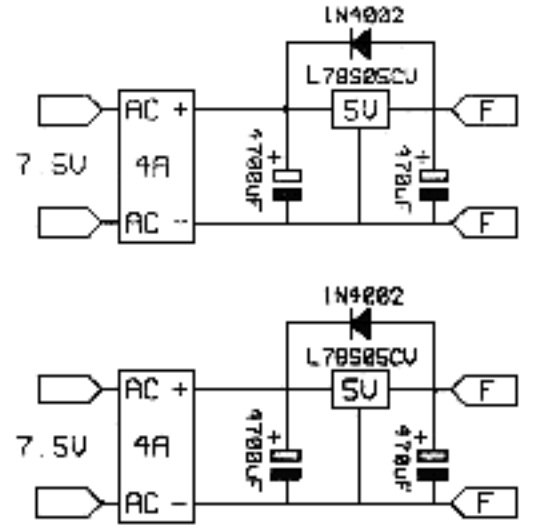
### CONQUEST POWER STAGE



### POWER SUPPLY



### 300B FILAMENT REG



TITLE: CONQUEST POWER  
 NO:  
 ISSUE: U10

DRAWN: J. ARNOTT  
 DATE: 13.05.96  
 OK: