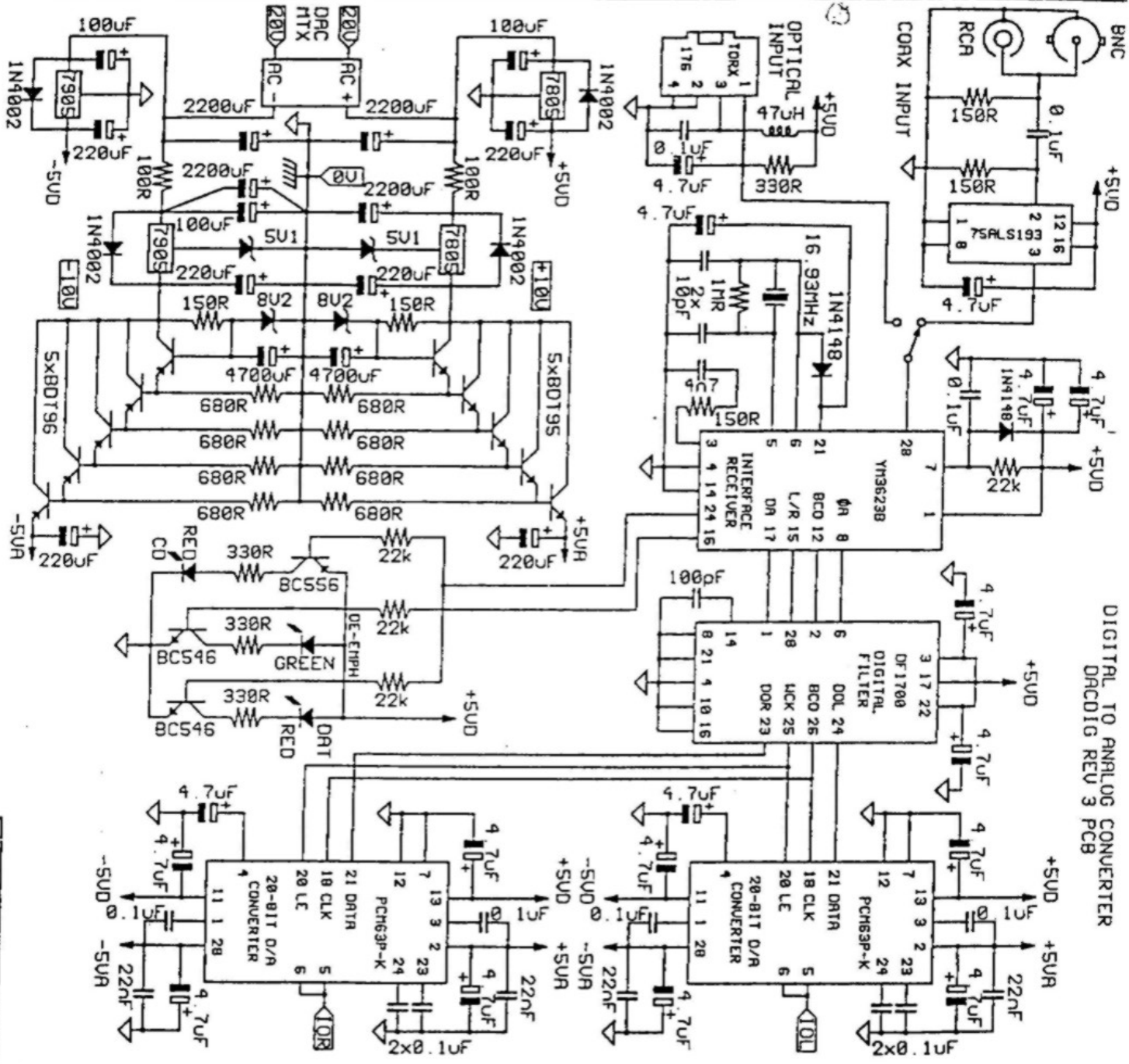
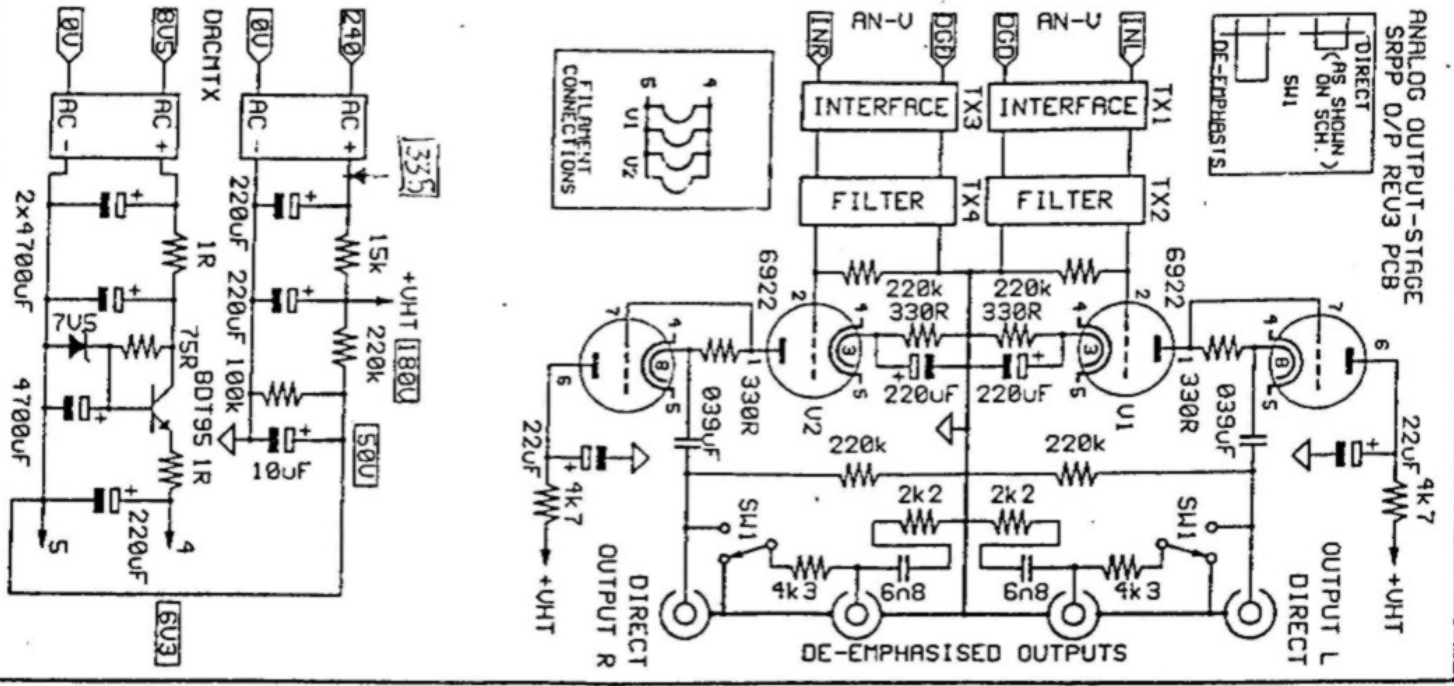


DIGITAL TO ANALOG CONVERTER
DACDIG REV 3 PCB



ANALOG OUTPUT-STAGE
SRPP O/P REV3 PCB

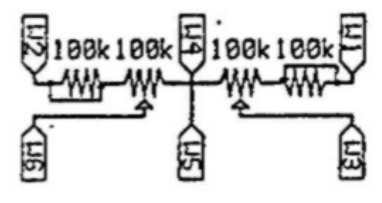


TITLE: DAC3
NO: DH303
ISSUE: 03

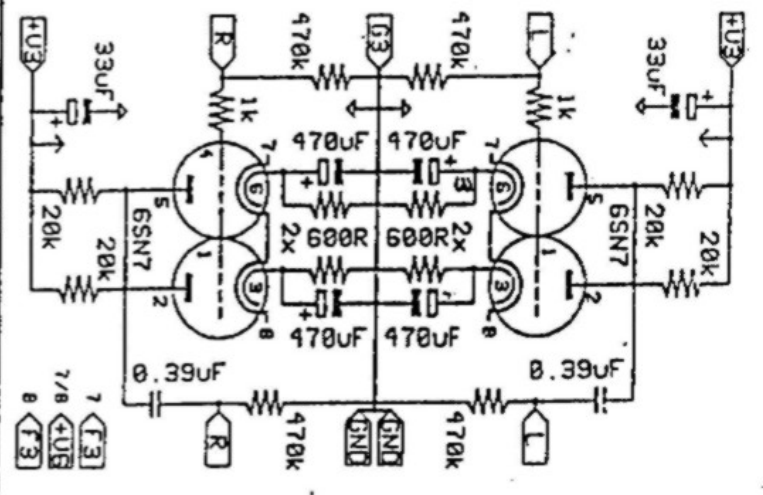
DRAWN: CLAUD HØLGAARD
DATE: 30/01/1995
OK:

RAUDDIONOTE

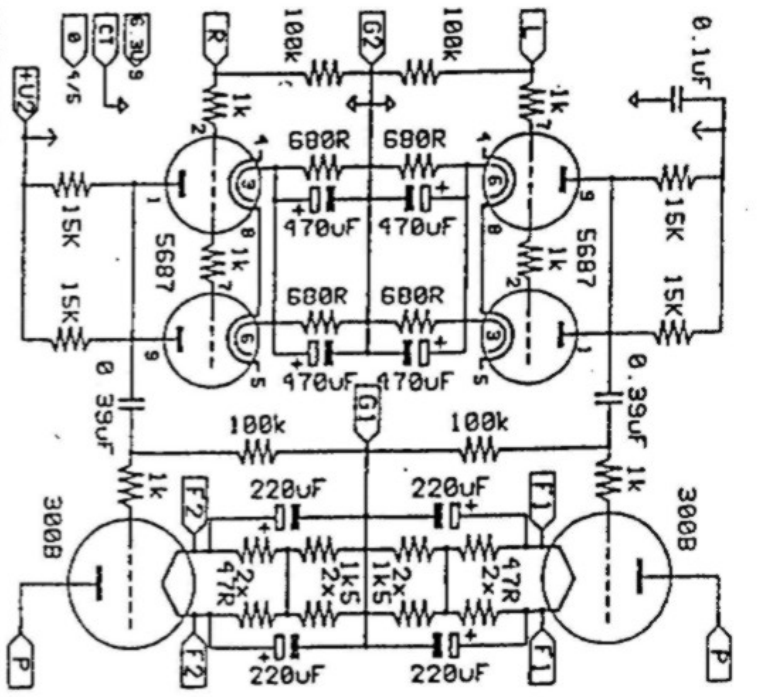
BALANCE AND VOLUME



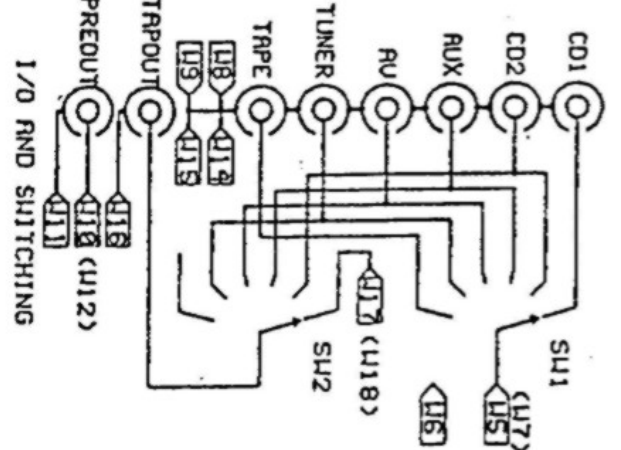
LINE STAGE



300B POWER-AMPLIFIER

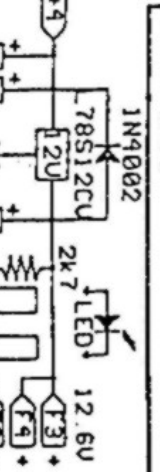
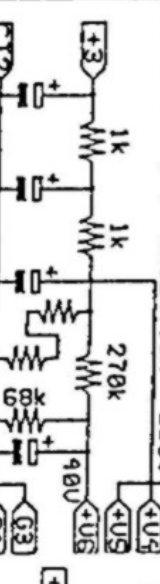
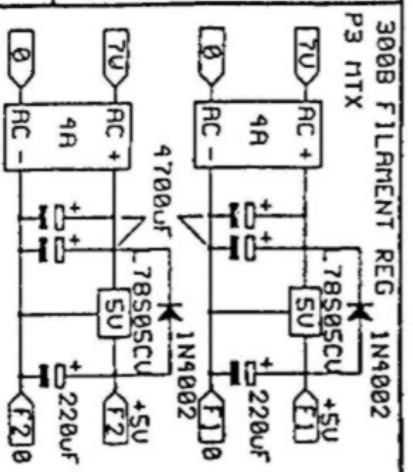
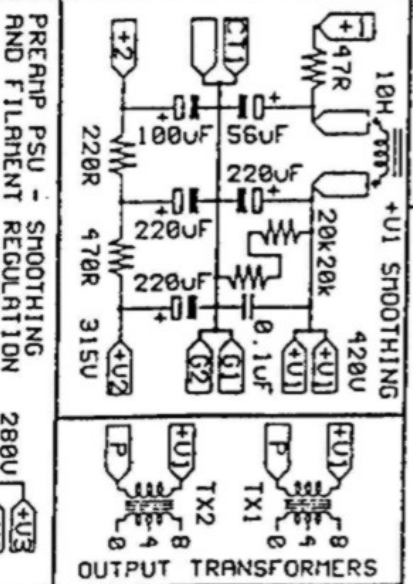
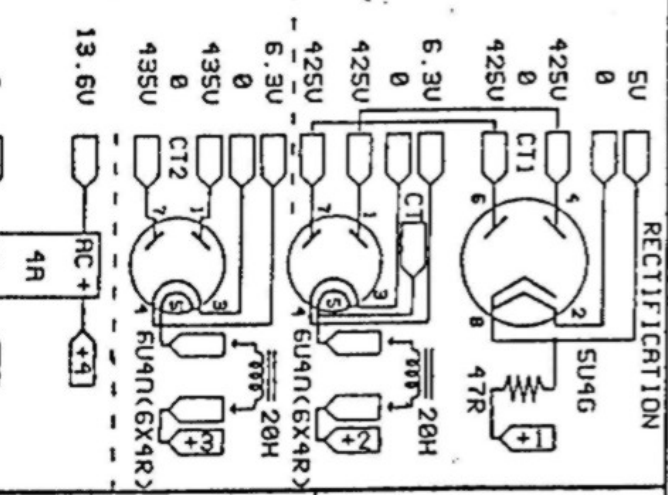


RIGHT CHANNEL WIRE NUMBERS SHOWN IN BRACKETS



H2 MTX

P3 MTX



TITLE: HELSHU LINE
NO: HELNOZ
ISSUE: 03

DRAIN: CLAUS HØLGARRO
DATE: 31.01.1995
OK:

PUDDIONOTE