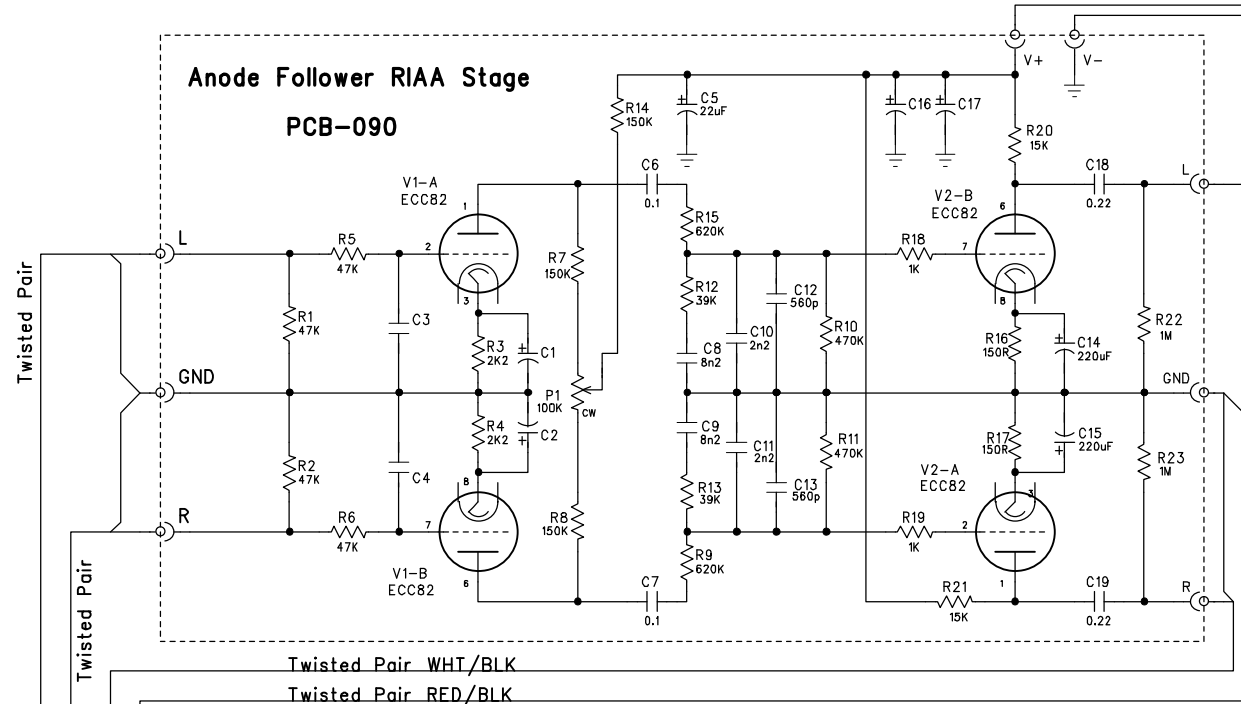
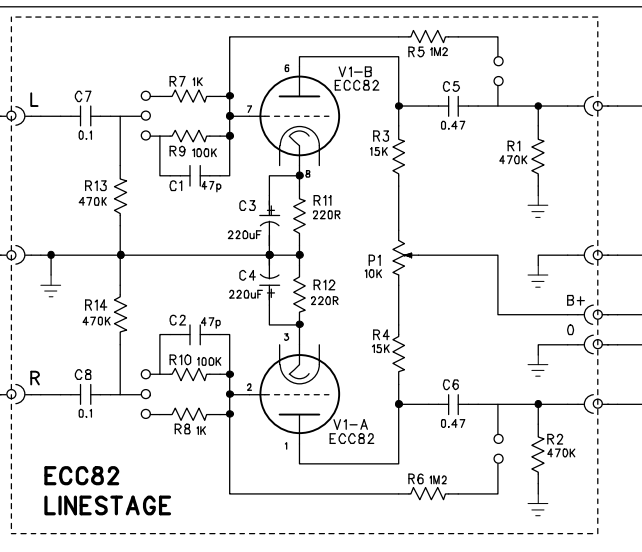
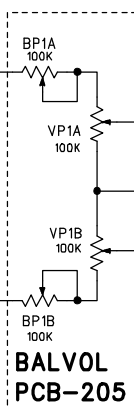
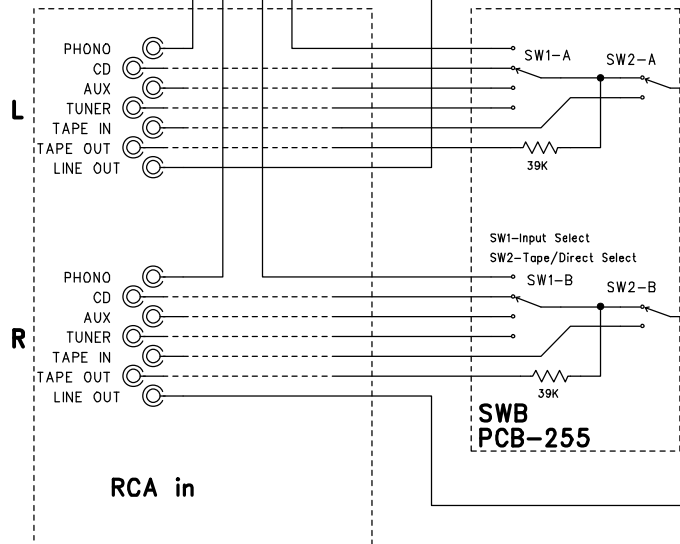
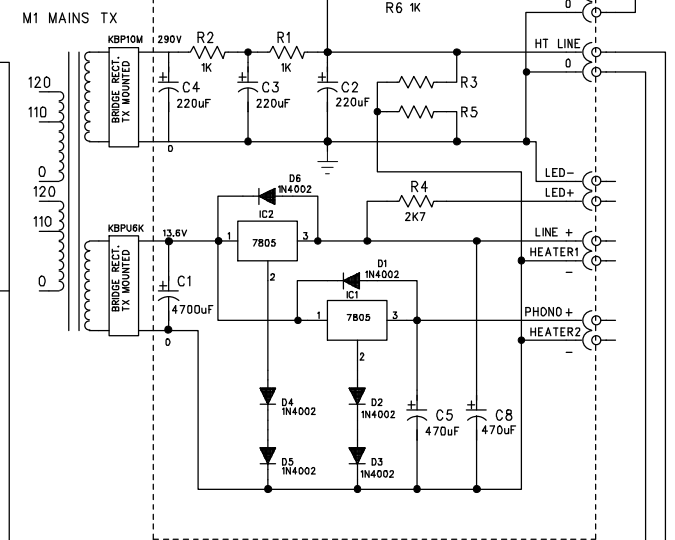


**Anode Follower RIAA Stage
PCB-090**



PRE CAP I/P PCB-060



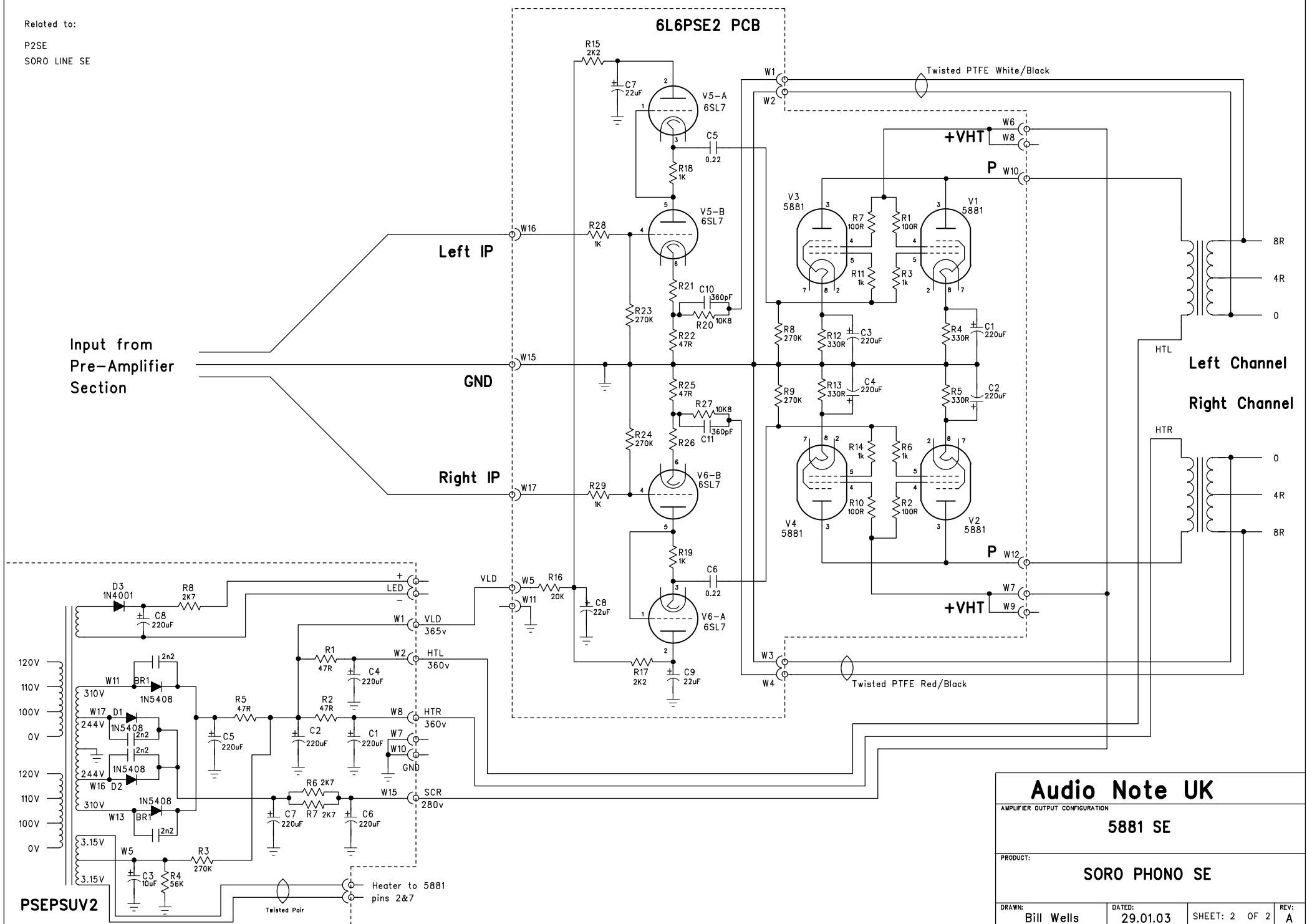
L Output to
SORO SE AMPLIFIER
(5881SE)
R

Audio Note UK

TITLE: PRE AMPLIFIER SECTION			
PRODUCT: SORO PHONO SE			
DRAWN: Bill Wells	DATED: 29.01.03	SHEET: 1 OF 2	REV: A

Related to:

P2SE
SORO LINE SE



Audio Note UK			
AMPLIFIER OUTPUT CONFIGURATION			
5881 SE			
PRODUCT:			
SORO PHONO SE			
DRAWN:	DATED:	SHEET:	REV:
Bill Wells	29.01.03	2 OF 2	A