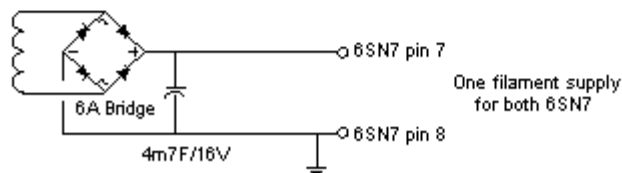
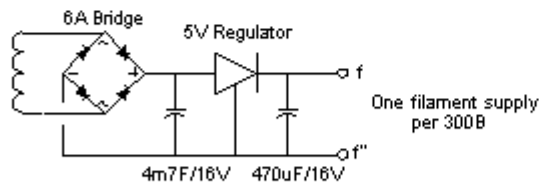
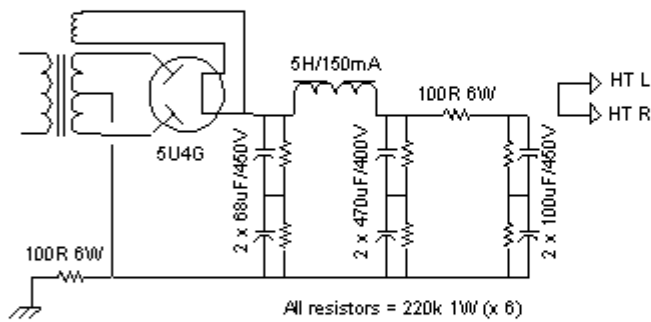
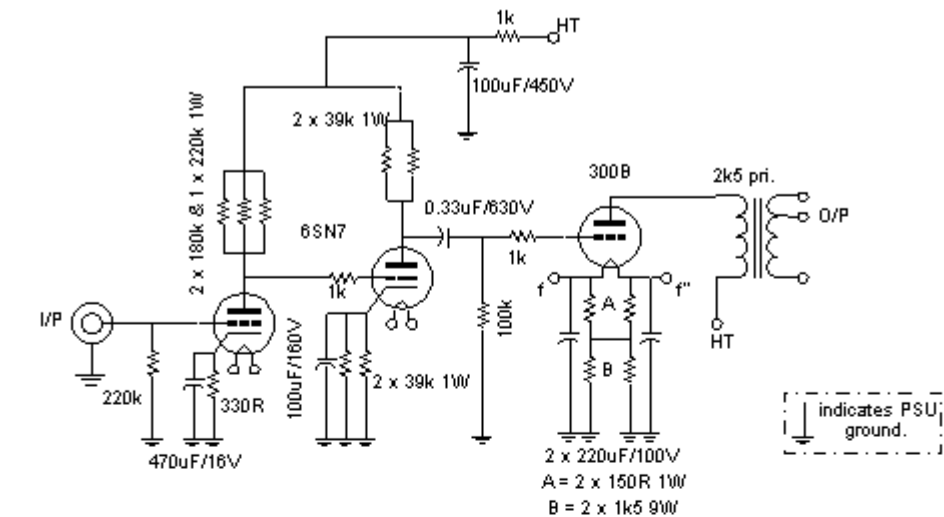


## Audio Note Conqueror circuit.



One audio channel only  
shown - other channel  
same. Stereo PSU.

## Part List Audio Note Conquerer

R1=200Kohms  
R2=64Kohms  
R3=320Kohms  
R4=1Kohms  
R5-6=19.5Kohms  
R7=220Kohms  
R8-9-14-15=150ohms  
R10-11-12-13=1.5Kohms  
C1-2=100uF 63V  
C3=330nF 630V MKT  
C4-5-6-7=220uF 63V  
U1=6SN7  
U2-3=300B  
MT1=Audio transf. 1K2 /0-4-8ohms 50W

## Part List Audio Note Conquerer Power Supply

R1=47ohms 5W  
R2-3-4-5-7-8=220Kohms 1W  
R6=1Kohms 5W  
C1-2-5-6=68uF 450V  
C3-4=470uF 350V  
C7-11=4700uF 25V  
C8-9-12-13=100nF 100V MKT  
C10-14=470uF 16V  
D1-2=1N4002  
BR1-2=Rect. Bringe 100V/4A  
IC1-2=L78S05CV  
U4=5U4G  
T1=See Fig.2  
T2=5H 150mA