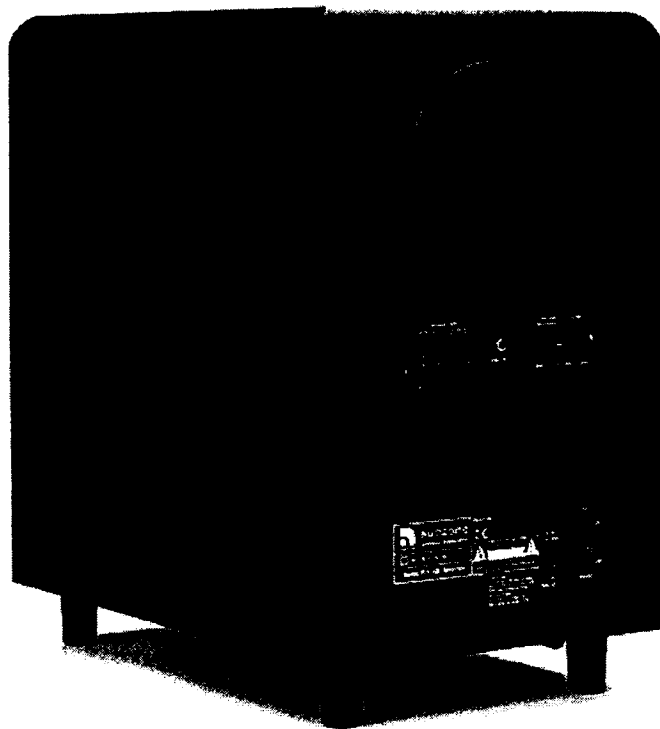


Service manual



subzone

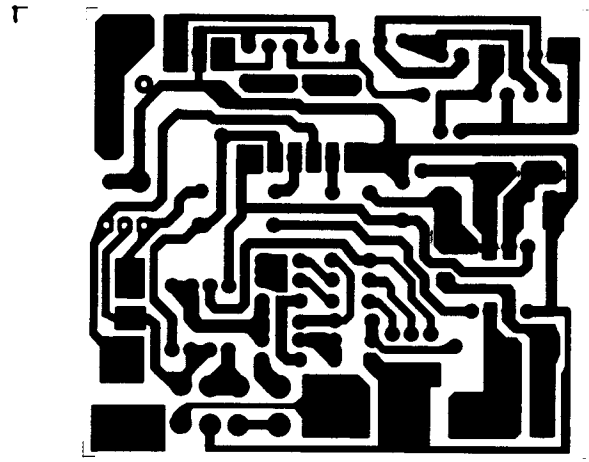
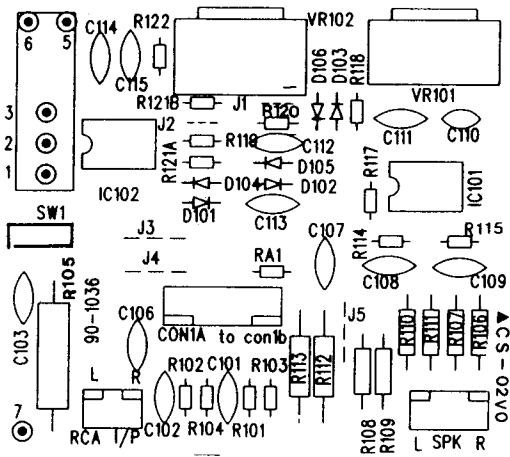
powered subwoofer

Technical data subzone

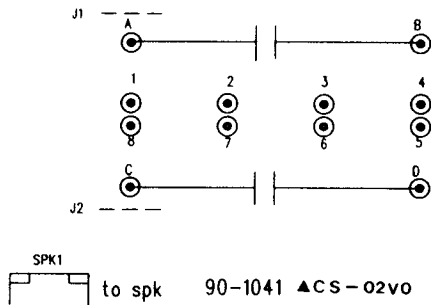
Enclosure:	150W powered, bass reflex.
Drive units, Woofer:	2 x 6 ½" Heavy Duty Woofers
Crossover -Hi Pass:	100Hz
-Lo Pass:	50 - 100Hz
Freq.range:	25-100Hz
Power requirements:	AC 230V 50HZ
Power consumption (max):	200W
Dimensions(WxHxD mm):	460x450x290

Subzone

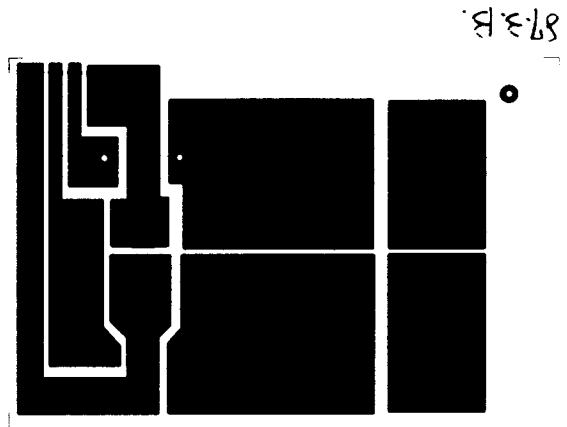
Input / Filter PCB



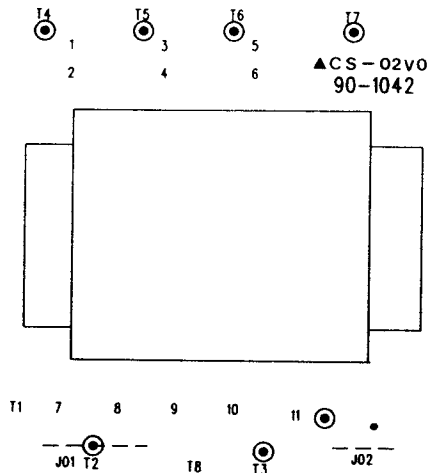
Speaker IN / OUT PCB



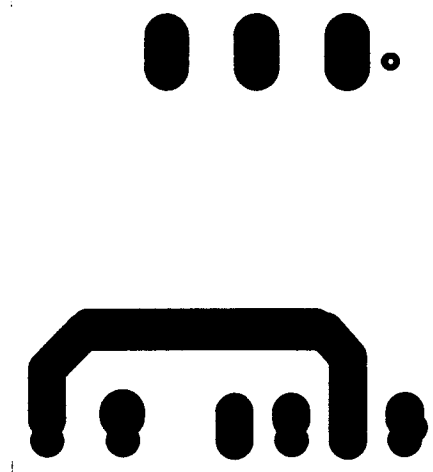
87.3.13.

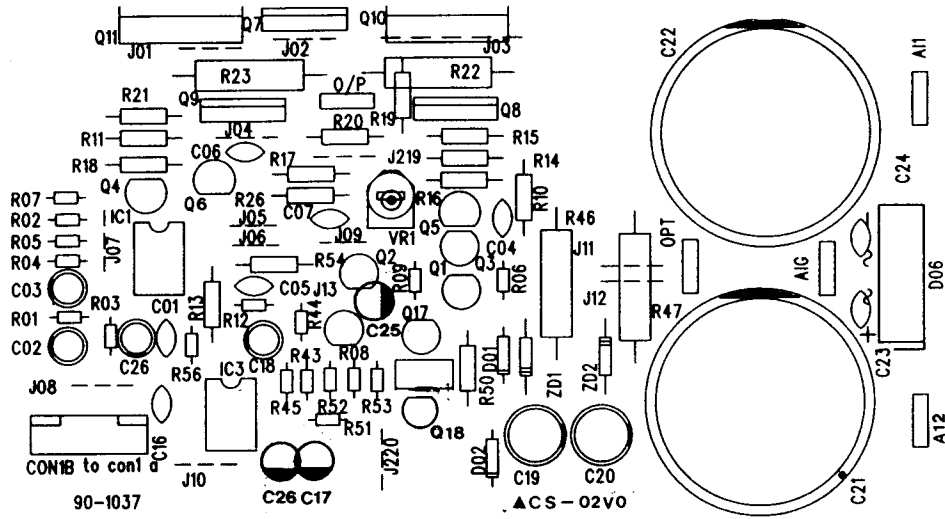


Power transformer PCB

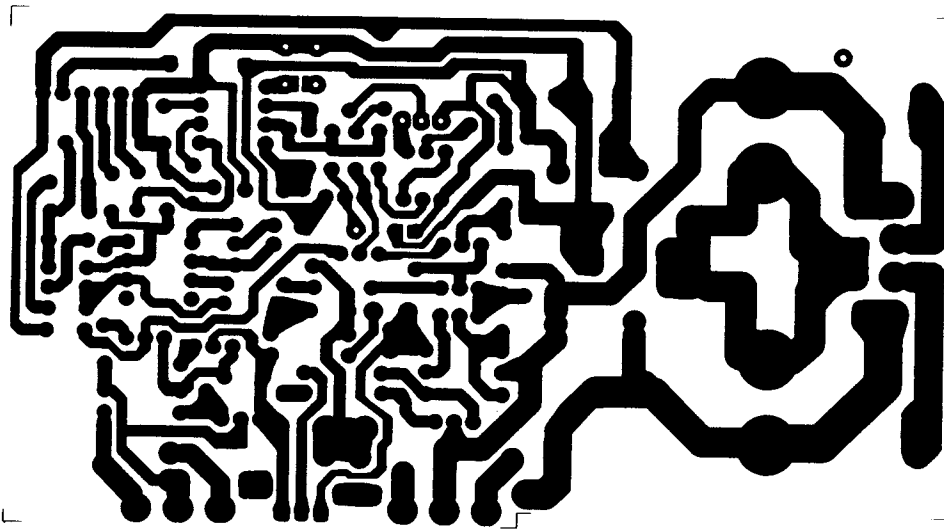


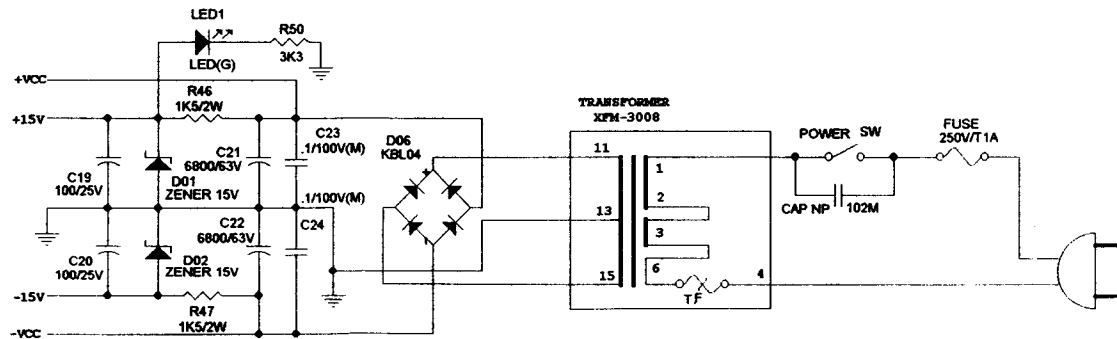
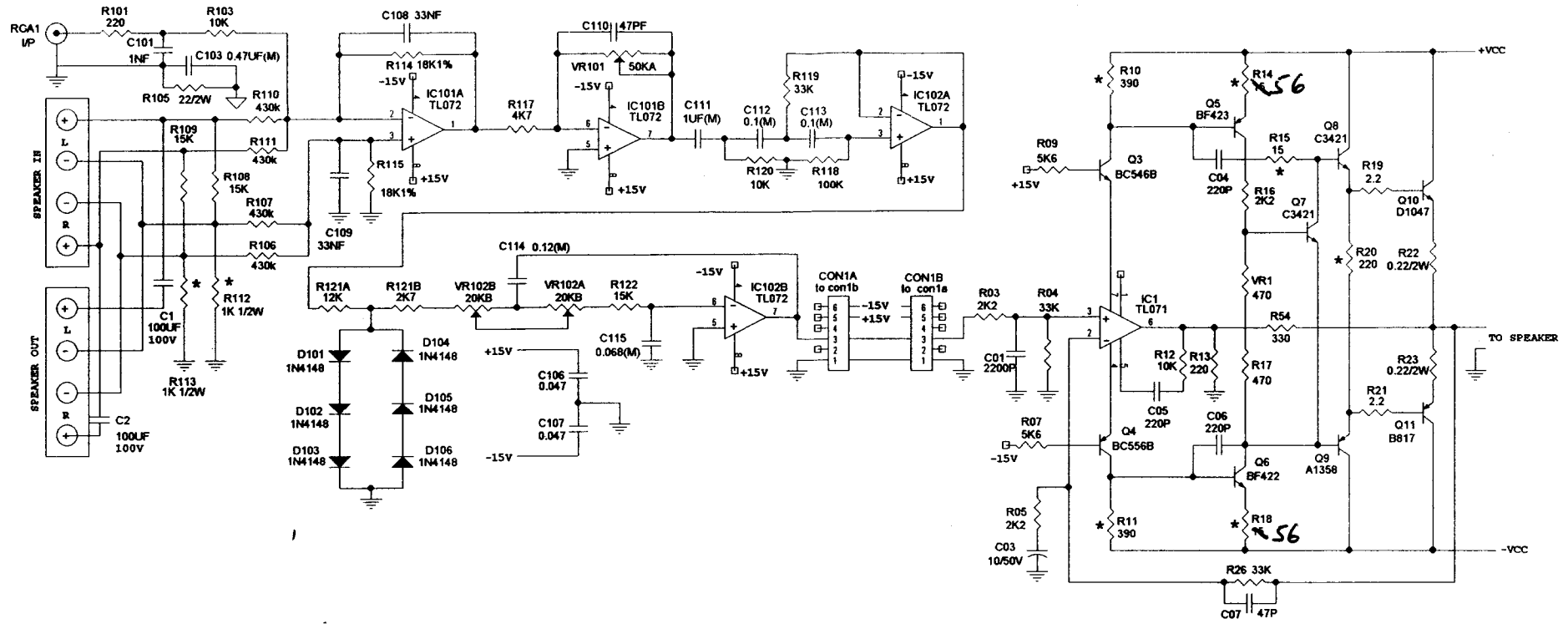
87.3.13.





87.3.B





SUBZONE

PART-NUMBER	DESCRIPTION	LOCATION
	ASS'Y PCB HIGH/LOW LEVEL IN/OUT	
ECJ-100A107K	CAP ELND 100V/100uF +-10%	C1,C2
TML-7021	TERMINAL SPEAKER JACK 8P	
XFM-3008	XFORMER AUDIO I/P EI-66 115/230V KGA007-	
ASY-PCB-1785	ASS'Y PCB INPUT AND FILTER BOARD	
AIC-TL072	IC DVAL OP AMP TL072	IC101,102
ADD-1N4148*TAP52	DIODE SWITCH 1N4148 52MM	D101-106
ECD-050T470M	CAP CER 50V 47PF +-20%	C110
ECD-050T473M	CAP CER NP .047U/50 +-20%	C106,107
ECM-050T102J	CAP MYLAR 50V 1000pF +-5%	C101
ECM-050T104M	CAP MYLAR 50V 0.1uF +-20%	C112,113
ECM-050T124M	CAP MYLAR 50V 0.12uF +-20%	C114
ECM-050T333J	CAP MYLAR 50V 0.033U +-5%	C108,109
ECM-050T683J	CAP MYLAR 50V 0.068U +-5%	C115
ECZ-063T105J-1	CAP MTLZ 63V 1U +-5% MINI	C111
ECZ-063T474J-1	CAP MTLZ 63V 0.47uF +-5% MINI	C103
ERB-501Y102J	RES MO 1/2W Y 1K +-5%	R112,113
ERC-121Y103J	RES CF 1/8W Y 10K +-5%	R120
ERC-121Y104J	RES CF 1/8W Y 100K +-5%	R118
ERC-121Y123J	RES CF 1/8W Y 12K +-5%	R121A
ERC-121Y153J	RES CF 1/8W Y 15K +-5%	R122
ERC-121Y221J	RES CF 1/8W Y 220 +-5%	R101
ERC-121Y272J	RES CF 1/8W Y 2.7K +-5%	R121B
ERC-121Y333J	RES CF 1/8W Y 33K +-5%	R119
ERC-121Y472J	RES CF 1/8W Y 4.7K +-5%	R117
ERC-251Y153J	RES CF 1/4W Y 15K +-5%	R108,109
ERM-121Y1002F	RES MF 1/8W Y 10K +-1%	R103
ERM-121Y1802F	RES MF 1/8W Y 18K +-1%	R114,115
ERM-251Y3903F	RES MF 1/4W Y 390K +-1%	R106,107,110,111
ERB-202P220J	RES MO 2W P 22 +-5%	R105
VRR-7045	VR ROT 16MMD 20KB*2 H=15mm	VR102
VRR-7049	VR ROT 16MMD 50KA*1 +-20%	VR101
	ASS'Y PCB POWER AMP AND SUPPLY BOARD	
ADB-RS402L	DIODE BRIDGE RS402L	D06

SUBZONE

PART-NUMBER	DESCRIPTION	LOCATION
AIC-TL071	IC TL071	IC1
ADZ-1N5245B	DIODE ZENER 1N5245B 0.5W 15V +-5%	ZD1,ZD2
ATR-BC546B	TR BC546B (&)	Q3
ATR-BC556B	TR BC556B	Q4
ATR-BF422	TR BF422	Q6
ATR-BF423	TR BF423	Q5
ECD-050T221M	CAP CER 50V 220P +-20%	C04,05,06
ECD-050T470M	CAP CER 50V 47PF +-20%	C7
ECD-100T104M	CAP CER 100V 0.1UF +-20%	C23,24
ECE-025T107M	CAP ELE 25V 100UF +-20%	C19,20
ECE-035T106M	CAP ELE 35V 10uF +-20%	C03
ECM-050T222J	CAP MYLAR 50V 2200pF +-5%	C01
ERB-251Y150J	RES MO 1/4W Y 15 +-5%	R14,15,18
ERB-251Y221J	RES FR 1/4W Y 220 +-5%	R20
ERB-251Y2R2J	RES FR 1/4W Y 2.2 +-5%	R19,21
ERB-251Y391J	RES FR 1/4W Y 390 +-5%	R10,11
ERC-121Y103J	RES CF 1/8W Y 10K +-5%	R12
ERC-121Y222J	RES CF 1/8W Y 2.2K +-5%	R3,5
ERC-121Y333J	RES CF 1/8W Y 33K +-5%	R4
ERC-121Y562J	RES CF 1/8W Y 5.6K +-5%	R7,9
ERC-251Y221J	RES CF 1/4W Y 220 +-5%	R13
ERC-251Y222J	RES CF 1/4W Y 2.2K +-5%	R16
ERC-251Y331J	RES CF 1/4W Y 330 +-5%	R54
ERC-251Y332J	RES CF 1/4W Y 3.3K +-5%	R50
ERC-251Y333J	RES CF 1/4W Y 33K +-5%	R26
ERC-251Y471J	RES CF 1/4W Y 470 +-5%	R17
ATR-2SA1358	TR 2SA1358	Q9
ATR-2SC3421	TR 2SC3421	Q8
ECE-063V688M	CAP ELE 63V 6800UF +-20%	C21,22
ERB-202L152J	RES MO 2W L 1K5 +-5% P=20mm	R46,47
ERB-202LR22J	RES MO 2W L 0.22 +-5% P=20mm	R22,23
ERC-251R471J	RES CF 1/4W R 470 +-5%	VR1
ADL-5S703	LED GRN 5mmD 332GD	
ATR-2SB817E	TR 2SB817E	Q11

SUBZONE

PART-NUMBER	DESCRIPTION	LOCATION
ATR-2SC3421	TR 2SC3421	Q7
ATR-2SD1047E	TR 2SD1047E	Q10
	MISCELLANEOUS	
ECW-250V102M	CAP Y-TYPE 0.001uF/250V +-20%	
FUH-1004	FUSE HOLDER FOR 5*20MM SEMKO	
FUS-01-1001S	FUSE UL/CSA 5*20mm 1A/250V SB	
JK3-L01-708	JACK RCA L 1P	
M11-P652	KNOB A KGA003-01	
WPC-7007	POWER CORD 6FT VDE	
WAS-7368	WIRE ASS'Y 1P RCA PLUG*2 6M BAK	