

## PARTS LIST

As of FEB 23 04

PRODUCT: 300.2

NOTES:

Schematic Symbol	Quantity	ARC Part #	Description
BR			BRIDGE RECTIFIER
BR1	1	30501930	BRIDGE RECTIFIER, 36MB20A
C			CAPACITORS
C1-4	4	53330201	CAP., 330pf ±2.5% 630V PPN
C5,6	2	53220201	CAP., 220pf ±2.5% 630V PPN
C7,8,85-92	10	53100507	CAP., 0.1µF ±10% 630V
C9-12	4	53680507	CAP., .68µF 425V (M2A) INFINI
C13,14,16,93-100,105,134,135	14	53100510	CAP., 0.1uf 100V MKP2
C15,77-84,137	10	53200603	CAP., 2µF ±10% 250V
C17,18,37,38	4	52100301	CAP., 1000pf 200V ±10% CER RAD
C19	1	53100101	CAP., 10pf ±1pf 630V PPN
C20	1	53560103	CAP., 56pf ±2.5% 630V PPN
C21,22,109	3	53100506	CAP., 0.1µf ±10% 160V
C23,24	2	50330702	CAP,33UF 160V HF
C25,26,33,34,103,104,108,111,113,119	15	53220507	CAP., .22µf ±10% 160V
C 120,122,130,132,133			
C27-30,25,36,41-43,107,112,114,115	20	53100410	CAP., .01uf ±10% 400V
C 118,121,123,124,136,31,32			
C39,40	2	52220300	CAP., 2200pf 200V ±10%
C44	1	50220903	CAP., 2200µF 35V ELECTROLYTIC
C45-48	4	53470404	CAP., .047µf ±20% 250V
C49-68	20	50680900	CAP., 6800µF 100V
C69-76,127	9	50470705	CAP,47UF 100V MUSE
C101,102,129,131	4	50470704	CAP., 47µF "MUSE"
C106,117	2	53100412	CAP., .01µF ±10% 600V RTX
C110	1	53270101	CAP., 27pf ±1pf 630V PNP
C116,125	2	53100609	CAP., 1.0µF ±10% 200V PPMF
C126	1	50220801	CAP., 220µF 50V
C128	1	53100303	CAP., 1000pf ±10% 100V
D			DIODES
D1-8,19	9	30506100	DIODE,MUR120 FAST
D9-18	10	30500400	IN4005
F			FUSES
F1	1	34501014	(B)FUSE, 10 AMP MDA BUSSMANN
FL			LINE FILTERS
FL1	1	59000020	LINE FILTER, 150.2
J			CONNECTORS
J1	1	23201509	JACK, CHASSIS RED
J2	1	23201510	JACK, CHASSIS WHITE
J3,4	2	23201990	CONNECTOR, XLR FEM. #NC3FD-H-B
J5,6	2	23106320	POST, BINDING ASSBLY D130
J7,8	2	23202900	JACK, MINI PHONE .140"

## PARTS LIST

As of FEB 23 04

PRODUCT: 300.2

NOTES:

Schematic Symbol	Quantity	ARC Part #	Description
L INDUCTORS			
L1,2	2	61000250	(B)CHOKE ASSY 11UH LITZ
L3	1	61000260	CHOKE,330UH 0.5A
LE PANEL INDICATOR			
LE1	1	34300320	L.E.D., GREEN SPOT L424GDT
Q TRANSISTORS			
Q1A,1B,2A,2B,5A,5B,6A,6B	8	30006504	FET, WHITE YELLOW
Q3,4	2	30011017	FET, GREEN/WHITE/VIOLET
Q7-10	4	30012000	FET,STW38NB20
Q11,13	2	30011039	FET, GREEN-ORANGE-WHITE
Q12	1	30006765	FET, ORANGE-YELLOW-GREEN
Q14	1	30009005	FET, GREEN-GRAY
R RESISTORS			
R1-4	4	42150503	RES., 150K $\Omega$ MK-3 1% 50PPM
R5,6,21,22	4	42100303	RES., 1K $\Omega$ MK-3 1% 50PPM
R7A,B,8A,B,9A,B,10A,B,63,74	10	42619303	RES., 6.19K $\Omega$ MK-3 1% 50 PPM
R11A,12A	2	42357203	RES., 357 $\Omega$ MK-3 1% 50PPM
R11B,12B	2	42127303	RES., 1.27K $\Omega$ MK-3 1% 50PPM
R13,14,53,56,67,70	6	42150202	RES., 150 $\Omega$ MK-2 1% 50PPM
R15-18	4	42100313	RES., 1K $\Omega$ MK-4 1% PPM
R19,20	2	42619203	RES., 619 $\Omega$ MK-3 1% 50PPM
R23,24	2	49332413	RES., 33.2K CADDOCK
R25,26	2	42221603	RES., 2.21 MEG MK-3 1% 50PPM
R27,28	2	42100503	RES., 100K $\Omega$ MK-3 1% 50PPM
R29	1	42332202	RES., 332 $\Omega$ MK-2 1% 50PPM
R30,32,33	3	42100603	RES., 1 MEG MK-3 1% 50PPM
R31	1	42332603	RES., 3.32 MEG MK-3 1% 50PPM
R34,37,42,43	4	42150414	RES., 15K $\Omega$ MK-5 1% 50PPM
R35,36	2	42150403	RES., 15K $\Omega$ MK-3 1% 50PPM
R38A,39A,40A,41A,50,82	6	42100103	RES., 10 $\Omega$ MK-3 1% 50PPM
R38B,39B,40B,41B	4	42150103	RES., 15 $\Omega$ MK-3 1% 50PPM
R44-47	4	43010001	RES.,01 $\Omega$ 1% 3W
R48A,48B,49A,49B	4	43400104	RES,40 $\Omega$ 5% 3W WW
R51	1	42267203	RES., 267 $\Omega$ MK-3 1% 50PPM
R52	1	42825203	RES., 825 $\Omega$ MK-3 1% 50PPM
R54,58	2	42127403	RES., 12.7K $\Omega$ MK-3 1% 50PPM
R55A,55B,69A,69B	4	42200205	RES., 200 $\Omega$ MK8 1% 50PPM
R57,71	2	42392403	RES., 39.2K $\Omega$ MK-3 1% 50PPM
R58	1	42100203	RES., 100 $\Omega$ MK-3 1% 50PPM
R59,60,72	3	42100403	RES., 10K $\Omega$ MK-3 1% 50PPM
R61,73	2	42150303	RES., 1.50K $\Omega$ MK-3 1% 50PPM
R62A,62B,75A,75B	4	42274403	RES., 27.4K $\Omega$ MK-3 1% 50PPM
R64,76	2	42332203	RES., 332 $\Omega$ MK-3 1% 50PPM
R65,66,77	3	43100002	RES., 1 $\Omega$ 2W 5% W.W.
R78	1	42100302	RES., 1K $\Omega$ MK-2 1% 50 PPM
R79	1	42118403	RES., 11.8K $\Omega$ MK-3 1% 50PPM
R80	1	42261203	RES., 261 $\Omega$ MK3 1% 50 PPM
R81	1	42221303	RES., 2.21K $\Omega$ MK-3 1% 50PPM

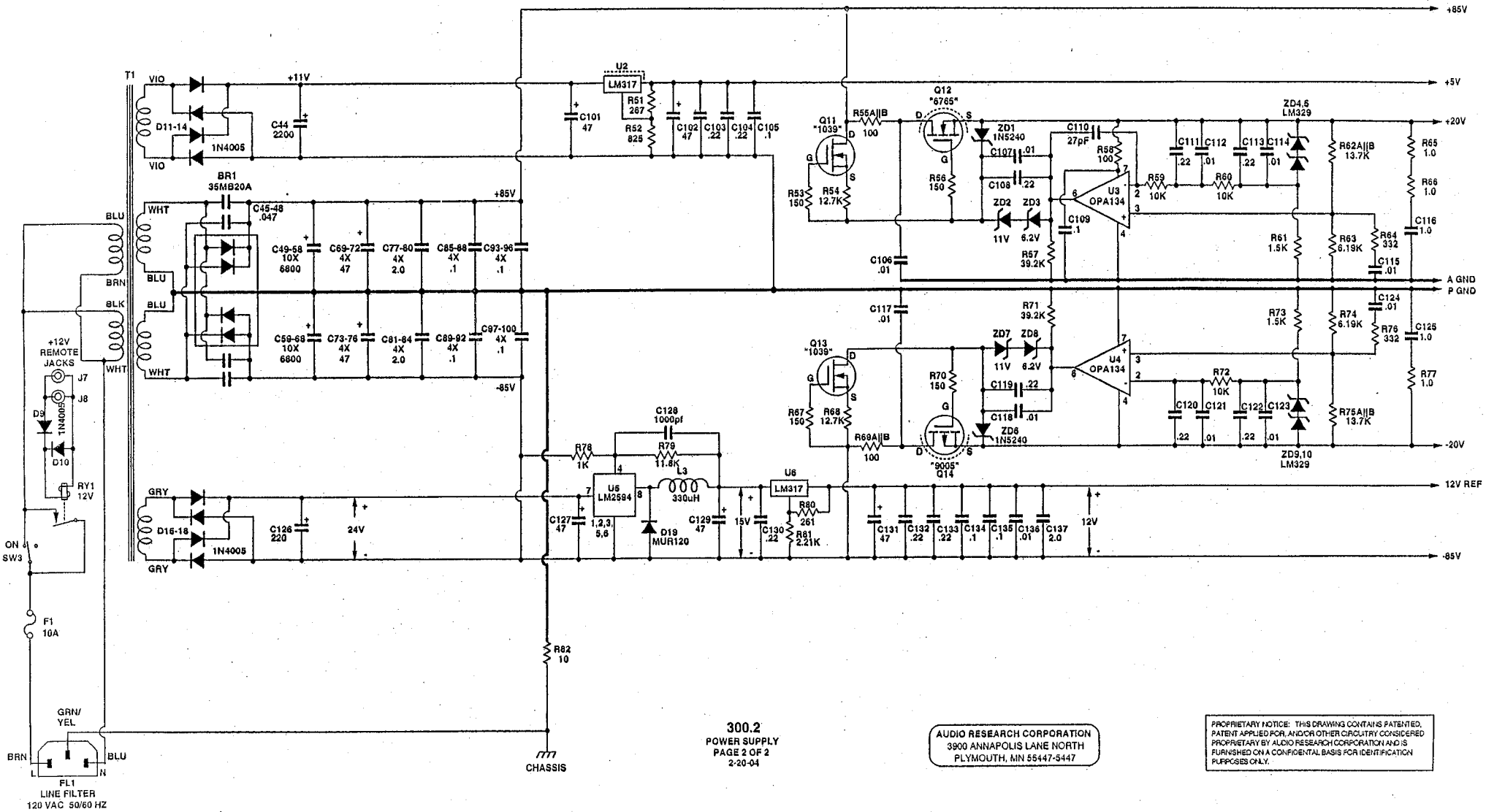
## PARTS LIST

As of FEB 23 04

PRODUCT: 300.2

NOTES:

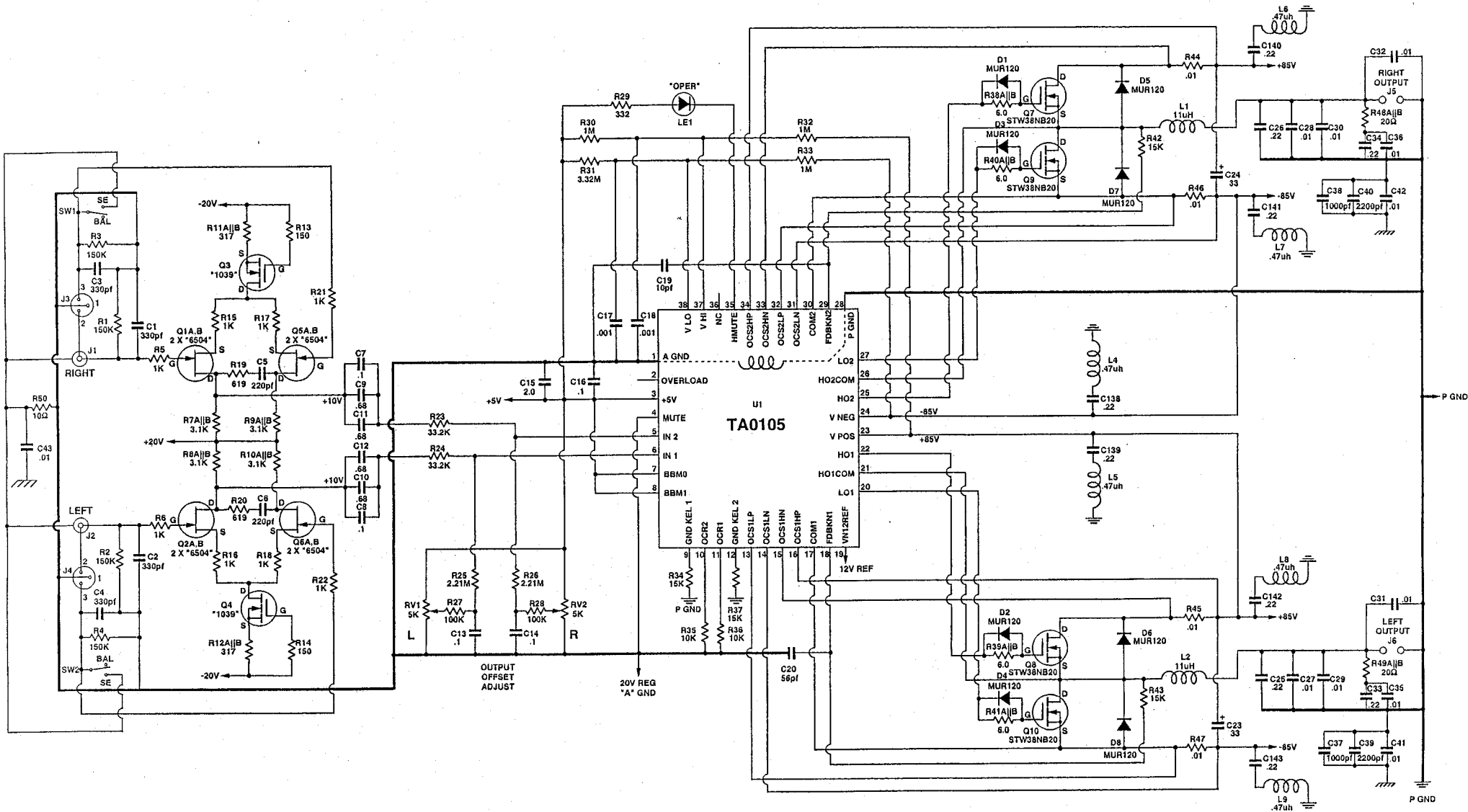
Schematic Symbol	Quantity	ARC Part #	Description
			RV CONTROLS
RV1,2	2	45500303	POT., 5K $\Omega$ TRIM VERT. 25 TURN
			RY RELAYS
RY1	1	64102000	RELAY, 12V 14A
			SW SWITCHES
SW1,2	2	24101510	SWITCH, TOGGLE NON-THREADED
SW3	1	24102210	SWITCH, ROCKER
			T TRANSFORMERS
T1	1	60020114	XFR, POWER 300.2
			U INTEGRATED CIRCUITS
U1	1	31009400	IC MODULE, TA0105A
U2,6	2	31004000	REGULATOR, VOLTAGE ADJ POS.
U3,4	2	31002230	OPA134
U5	1	31009500	IC, LM2594HVN-ADJ
			ZD ZENER DIODES
ZD1,6	2	30504400	1N5240B
ZD2,7	2	30504900	ZENER, 11V BZX55C11
ZD3,8	2	30502100	1N5234B
ZD4,5,9,10	4	31000705	FET, GREEN



300.2  
POWER SUPPLY  
PAGE 2 OF 2  
2-20-04

AUDIO RESEARCH CORPORATION  
3900 ANNAPOLIS LANE NORTH  
PLYMOUTH, MN 55447-5447

PROPRIETARY NOTICE: THIS DRAWING CONTAINS PATENTED,  
PATENT APPLIED FOR, AND/OR OTHER CIRCUITRY CONSIDERED  
PROPRIETARY BY AUDIO RESEARCH CORPORATION AND IS  
FURNISHED ON A CONFIDENTIAL BASIS FOR IDENTIFICATION  
PURPOSES ONLY.



300.2  
 REV 5  
 AUDIO  
 PAGE 1 OF 2  
 8-5-04

AUDIO RESEARCH CORPORATION  
 3800 ANNAPOLIS LANE NORTH  
 PLYMOUTH, MINNESOTA 55447

PROPRIETARY NOTICE: THIS DRAWING CONTAINS PATENTED,  
 PATENT APPLIED FOR, AND/OR OTHER CIRCUITRY  
 CONSIDERED  
 PROPRIETARY BY AUDIO RESEARCH CORPORATION AND IS  
 FURNISHED ON A CONFIDENTIAL BASIS FOR IDENTIFICATION  
 PURPOSES ONLY.