

# **audio research**

H I G H D E F I N I T I O N<sup>®</sup>

5740 GREEN CIRCLE DRIVE / MINNETONKA, MINNESOTA 55343-4424 / PHONE 612/939-0600 FAX 612/939-0604

BL-2 GAIN STAGE

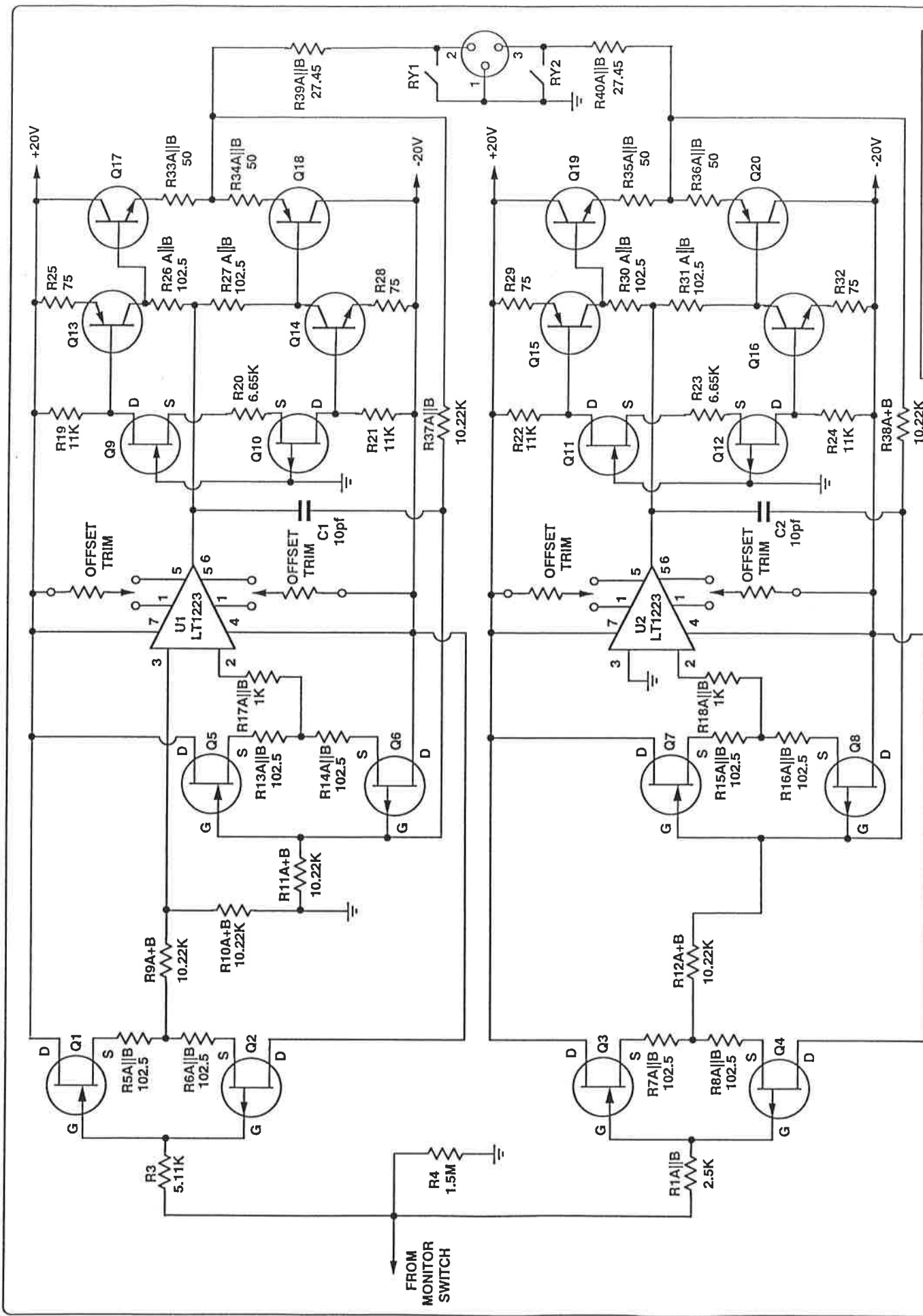
SCHEMATIC

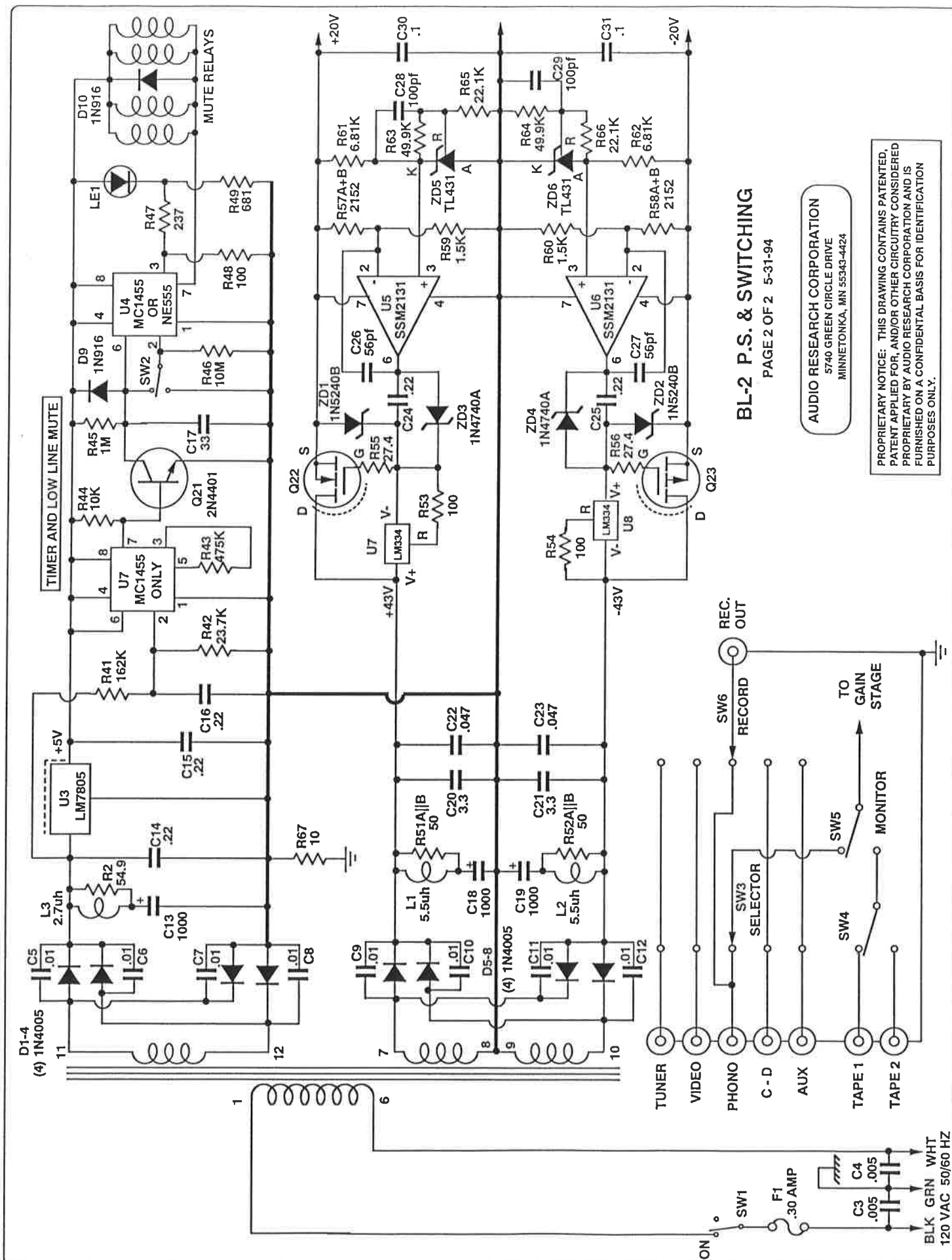
1-20-94

PROPRIETARY NOTICE: THIS DRAWING CONTAINS PATENTED, PATENT APPLIED FOR, AND/OR OTHER CIRCUITRY CONSIDERED PROPRIETARY BY AUDIO RESEARCH CORPORATION AND IS FURNISHED ON A CONFIDENTIAL BASIS FOR IDENTIFICATION PURPOSES ONLY.

AUDIO RESEARCH CORPORATION  
 5740 GREEN CIRCLE DRIVE  
 MINNETONKA, MN 55343-0604

BL-2 GAIN STAGE  
 PAGE 1 of 2 1-20-94



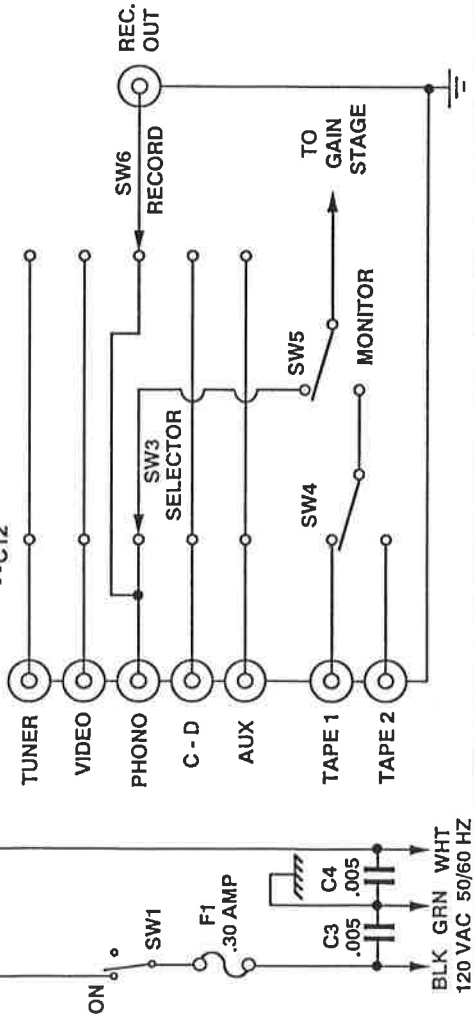


### BL-2 P.S. & SWITCHING

PAGE 2 OF 2 5-31-94

AUDIO RESEARCH CORPORATION  
5740 GREEN CIRCLE DRIVE  
MINNETONKA, MN 55343-4424

PROPRIETARY NOTICE: THIS DRAWING CONTAINS PATENTED, PATENT APPLIED FOR, AND/OR OTHER CIRCUITRY CONSIDERED PROPRIETARY BY AUDIO RESEARCH CORPORATION AND IS FURNISHED ON A CONFIDENTIAL BASIS FOR IDENTIFICATION PURPOSES ONLY.



BLK GRN WHT  
120 VAC 50/60 HZ

## PARTS LIST

As of SEP 15 95

PRODUCT: BL2

NOTES:

Schematic Symbol	Quantity	ARC Part #	Description
C CAPACITORS			
C1,2	4	53100101	CAP. 10 PF +/-1 PF 630V PPN
C3,4	2	52500300	CAP. .005 UF 20% CERAMIC DISC
C5-12	8	52100400	CAP. .01 UF 200V
C13	1	50100911	CAP. 1000 UF 35V
C14-16,24,25	5	53220507	CAP. .22 UF 10% 160V
C17	1	51220601	CAP. 2.2 UF +/-10% 25V
C18,19	2	50100908	CAP. 1000 UF 63V
C20,21	2	53330602	CAP. 3.3 UF 160V +/-10%
C22,23,32,33	4	53470402	CAP. 0.047 UF 160V 10%
C26,27	2	53560103	CAP. 56 PF +/-2% 630V DPN
C28,29	2	53100202	CAP. 100 PF +/-2 1/2% 630 V PPN
C30,31	2	53100506	CAP. .1 UF 160V
C34	1	53560201	CAP. 560 PF +/-2.5% 630V
D DIODES			
D1-8	8	30500400	IN4005 GENERAL INSTRUMENT
D9,10	2	30500910	1N916B
F FUSES			
F1	1	34500202	FUSE, AGC 1/2
J CONNECTORS			
J1-9	9	23201509	CHASSIS JACK,RED
J1-9	9	23201510	CHASSIS JACK,WHITE
J10	2	23201950	CONNECTOR, XLR. BL2
L INDUCTORS			
L1,2	2	61000170	CHOKE, 5.5 UH
L3	1	61000160	CHOKE, 2.7 UH +/- 10%
LE PANEL INDICATOR			
LE1	1	34300102	L.E.D. COLLAR & RETAINING RING
Q TRANSISTORS			
Q1,3,5,7,9,11	12	30006629	FET, VIOLET RED WHITE
Q2,4,6,8	8	30006405	FET, BLUE GREEN
Q10,12	4	30006406	FET, BLUE BLUE
Q13,15	4	30003000	TRANSISTOR,2N5087 PNP
Q14,16	4	30003100	TRANSIST.,2N5088,2N5209,2N5210
Q17,19	4	30010100	2SC3298B
Q18,20	4	30010000	2SA1306B
Q21	1	30002800	TRANSISTOR,2N4401
Q22	1	30006761	FET, ORANGE YELLOW BROWN
Q23	1	30007029	FET, GRAY WHITE

## PARTS LIST

As of SEP 15 95

PRODUCT: BL2

NOTES:

Schematic Symbol	Quantity	ARC Part #	Description
R RESISTORS			
R1A,1B,3	6	42511313	RES. 5.11K 1% MK-4 50PPM
R2,39A,B,40A,B,53,54	11	42549103	RES. 54.9 OHM 1% MK-3 50PPM
R4	2	42150613	RES. 1.5 MEG 1% MK-4 50PPM
R5A,B,6A,B,7A,B,8A,B,13A,B,14A,B,15A R 15B,16A,B	32	42205203	RES. 205 OHM 1% MK-3 50PPM
R9A,B,10A,B,11A,B,12A,B,37A,B,38A,B	24	42511303	RES. 5.11K 1% MK-3 50PPM
R17A,B,18A,B,68	9	42200303	RES. 2K MK-3 1% 50PPM
R19,21,22,24	8	42110403	RES. 11K 1% MK-3 50PPM
R20,23	4	42665303	RES. 6.65K 1% MK-3 50PPM
R25,28,29,32	8	42750103	RES. 75 OHM 1% MK-3 50PPM
R26A,B,27A,B,30A,B,31A,B	16	42182203	RES. 182 OHM 1% MK-3 50PPM
R33A,B,34A,B,35A,B,36A,B,48,51A,B,52A R 52B	21	42100203	RES. 100 OHM 1% MK-3 50PPM
R41	1	42162503	RES. 162K 1% MK-3 50PPM
R42	1	42237403	RES. 23.7K 1% MK-3 50PPM
R43	1	42475503	RES. 475K 1% MK-3 50PPM
R44	1	42100403	RES. 10K+/-1% MK-3 50PPM
R45	1	42100603	RES. 1 MEG 1% MK-3 50PPM
R46	1	42100703	RES. 10 MEG 1% MK-3 50PPM
R47	1	42237203	RES. 237 OHM 1% MK-3 50PPM
R49,69	2	42681203	RES. 681 OHM 1% MK-3 50PPM
R55,56	2	42274103	RES. 27.4 OHM 1% MK-3 50PPM
R57A,58A	2	42182303	RES. 1.82K 1% MK-3 50PPM
R57B,58B	2	42332203	RES. 332 OHM 1% MK-3 50PPM
R59,60	2	42150303	RES. 1.50K 1% MK-3 50PPM
R61,62	2	42681303	RES. 6.81K 1% MK-3 50PPM
R63,64,70A,B	6	42499403	RES. 49.9K 1% MK-3 50PPM
R65,66	2	42221403	RES. 22.1K 1% MK-3 50PPM
R67	1	42100103	RES. 10 OHM 1% MK-3 50PPM
RY RELAYS			
RY1,2	4	64101010	RELAY, 5V DAC1
SW SWITCHES			
SW1,2	2	24101610	TOGGLE, MUTE
SW3,6	3	24002400	LS2 SWITCH WAFER
SW4,5	2	24101900	TOGGLE, DIRECT
T TRANSFORMERS			
T1	1	60009600	XFR. LS2 (120V)
U INTEGRATED CIRCUITS			
U1,2	4	31004300	LT1223CN8
U3	1	31004000	ADJ. O.P. VLTG. REG.
U4	1	31000800	NE555N TIMER
U5,6	2	31002210	OP176GP
U7,8	2	31004100	ADJ. CURRENT SOURCE
U9	1	31000801	TIMER

PARTS LIST

As of SEP 15 95

PRODUCT: BL2

NOTES:

Schematic Symbol	Quantity	ARC Part #	Description
ZD			ZENER DIODES
ZD1,2	2	30504400	IN5240B
ZD3,4	2	30500300	IN4740A
ZD5,6	2	31002600	ZENER DIODE, TL431CLP ADJ