

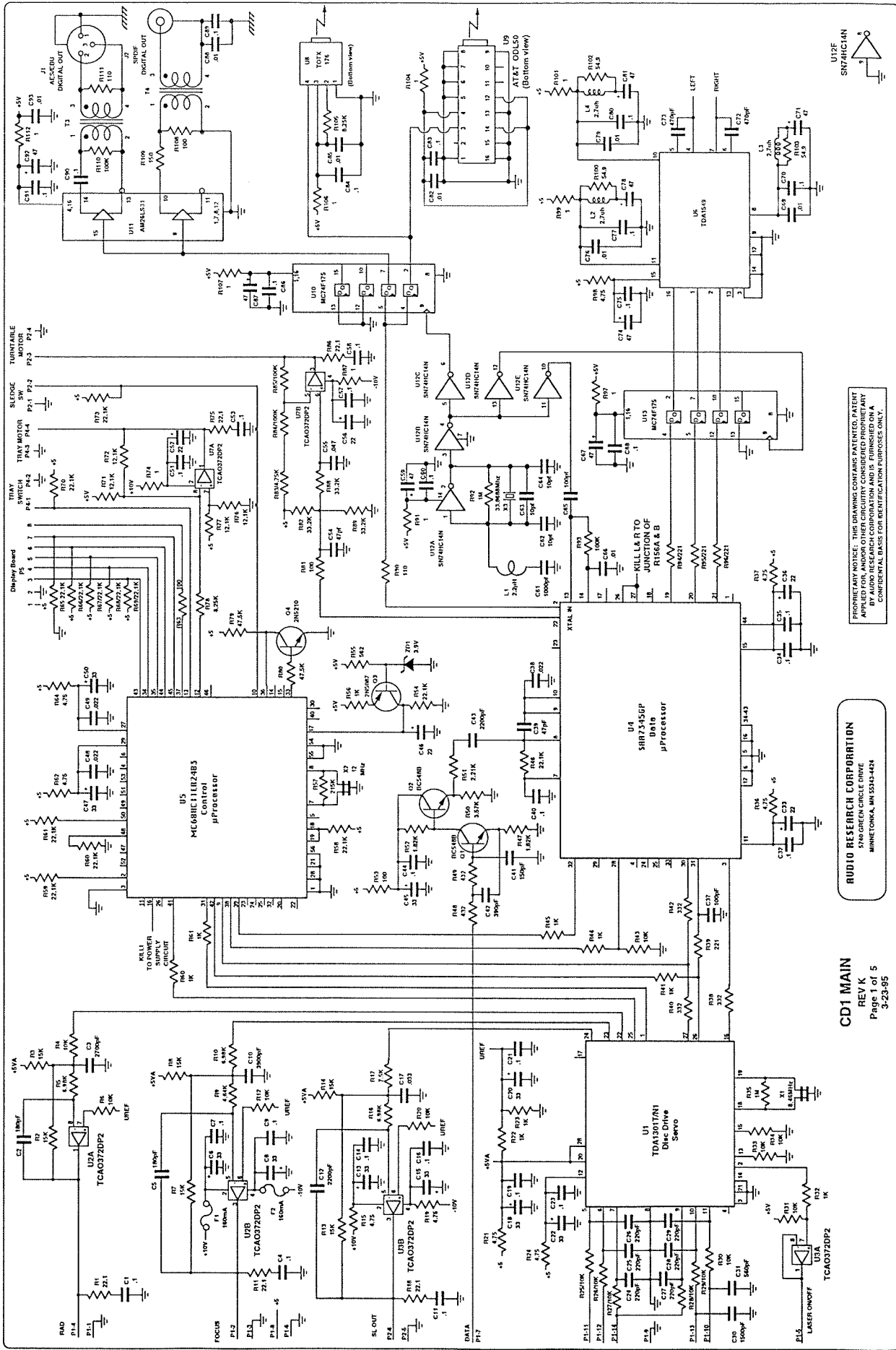
audio research

H I G H D E F I N I T I O N[®]

5740 GREEN CIRCLE DRIVE / MINNETONKA, MINNESOTA 55343-4424 / PHONE 612/939-0600 FAX 612/939-0604

CD1 SCHEMATIC

3-23-95
K

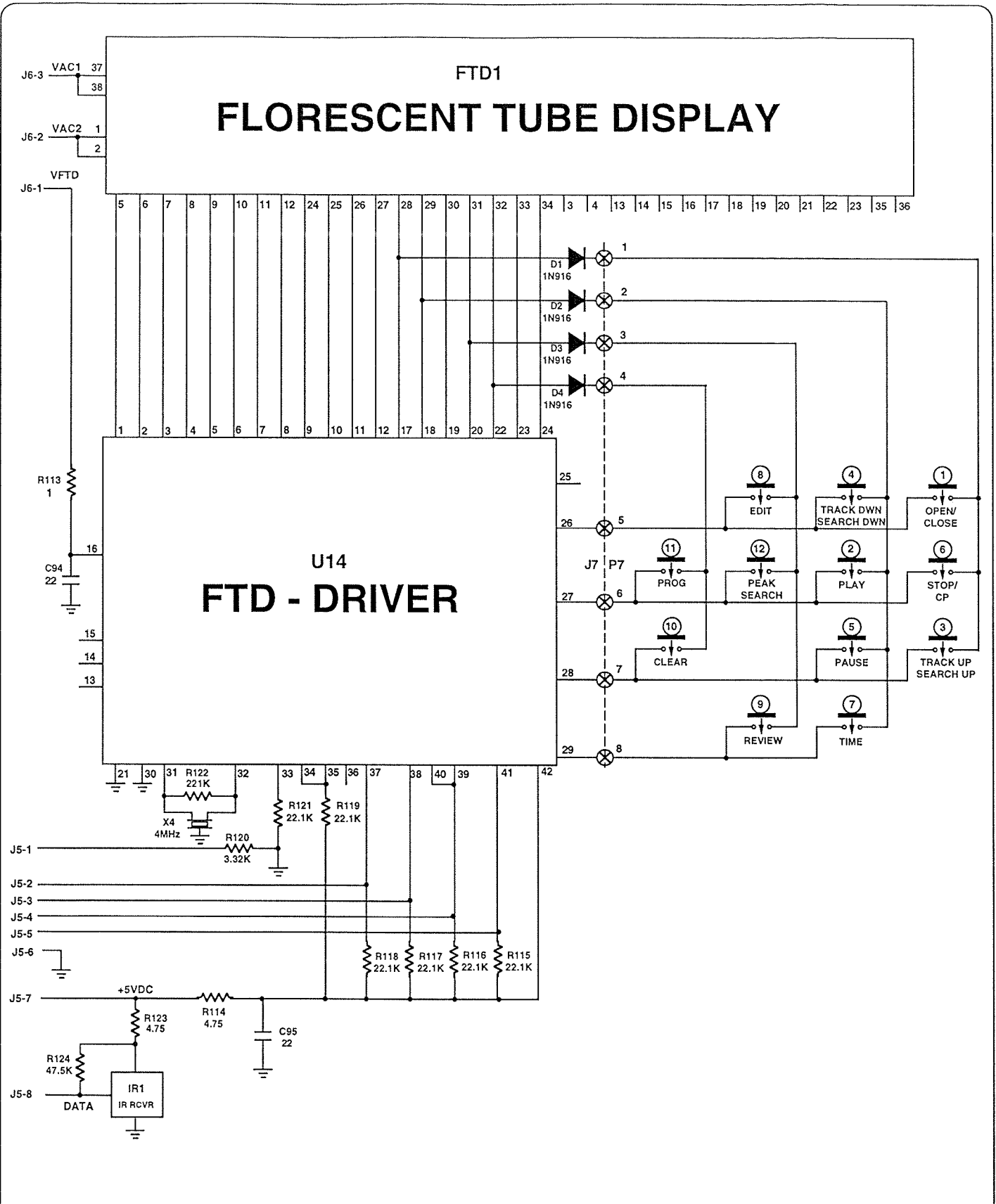


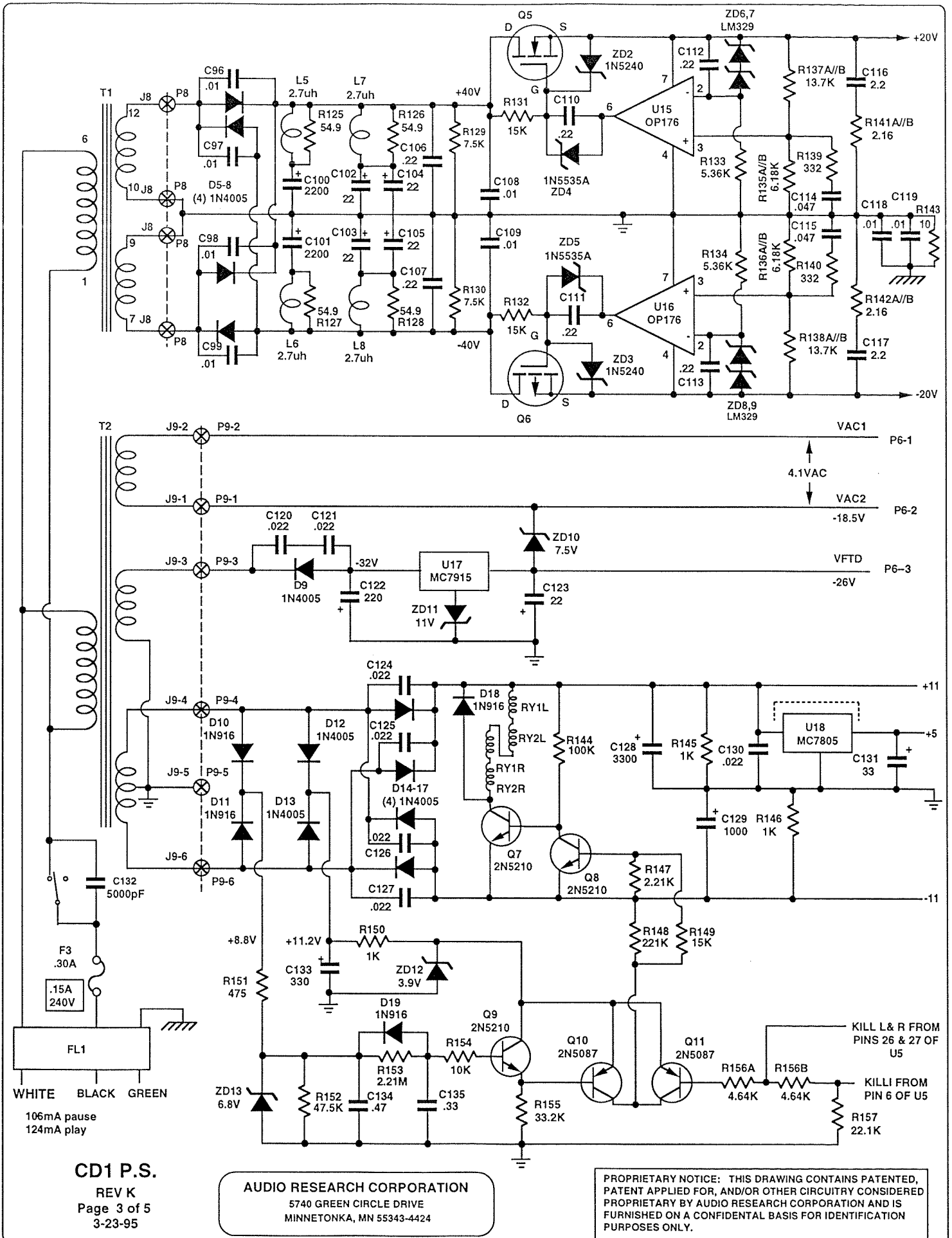
U10E
SN74HC14N

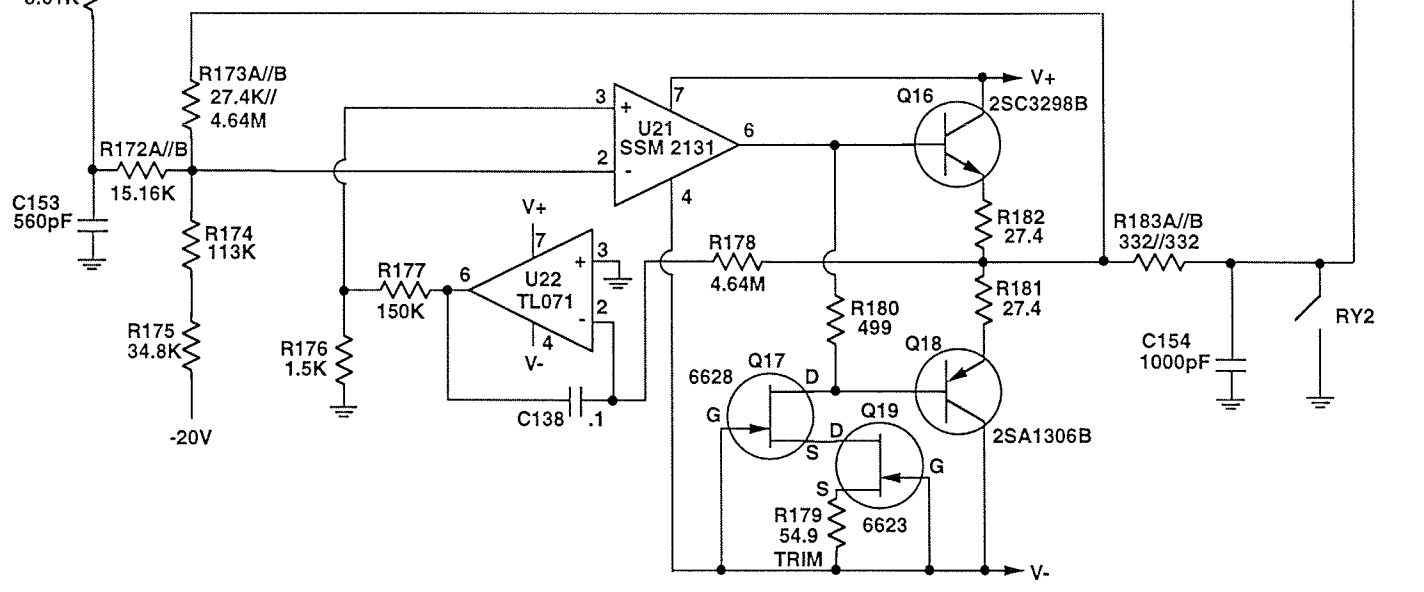
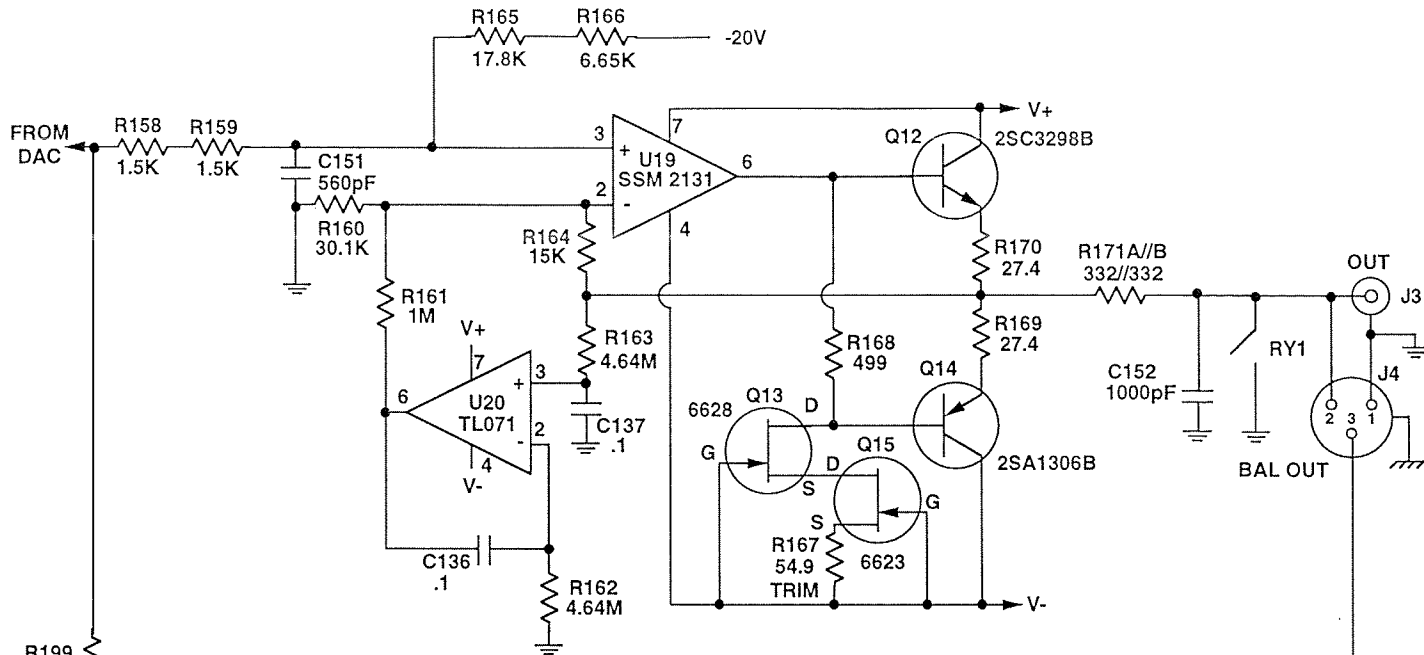
PROPRIETARY NOTICE: THIS DRAWING CONTAINS PATENTED, PATENT APPLIED FOR, AND/OR OTHER CIRCUITRY CONSIDERED PROPRIETARY BY AUDIO RESEARCH CORPORATION AND IS FURNISHED ON A CONFIDENTIAL BASIS TO CONTRIBUTIONARY MEMBERS ONLY.

AUDIO RESEARCH CORPORATION
5710 GREEN CIRCLE DRIVE
MINNETONKA, MN 55343-4241

CD1 MAIN
REV K
Page 1 of 5
3-23-95







CD1 ANALOG
 REV K
 PAGE 4 OF 5
 12-29-94

AUDIO RESEARCH CORPORATION
 5740 GREEN CIRCLE DRIVE
 MINNETONKA, MN 55343-4424

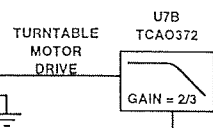
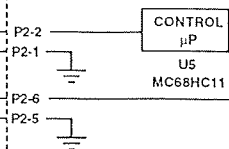
PROPRIETARY NOTICE: THIS DRAWING CONTAINS PATENTED, PATENT APPLIED FOR, AND/OR OTHER CIRCUITRY CONSIDERED PROPRIETARY BY AUDIO RESEARCH CORPORATION AND IS FURNISHED ON A CONFIDENTIAL BASIS FOR IDENTIFICATION PURPOSES ONLY.

TRANSPORT

SLEDGE SWITCH

SLEDGE MOTOR

TURNTABLE MOTOR



FLEX-FOIL

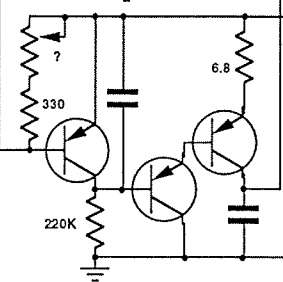
SMALL BOARD UNDER TRANSPORT

DIODE ASSY

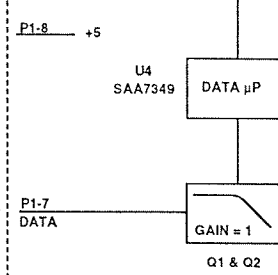
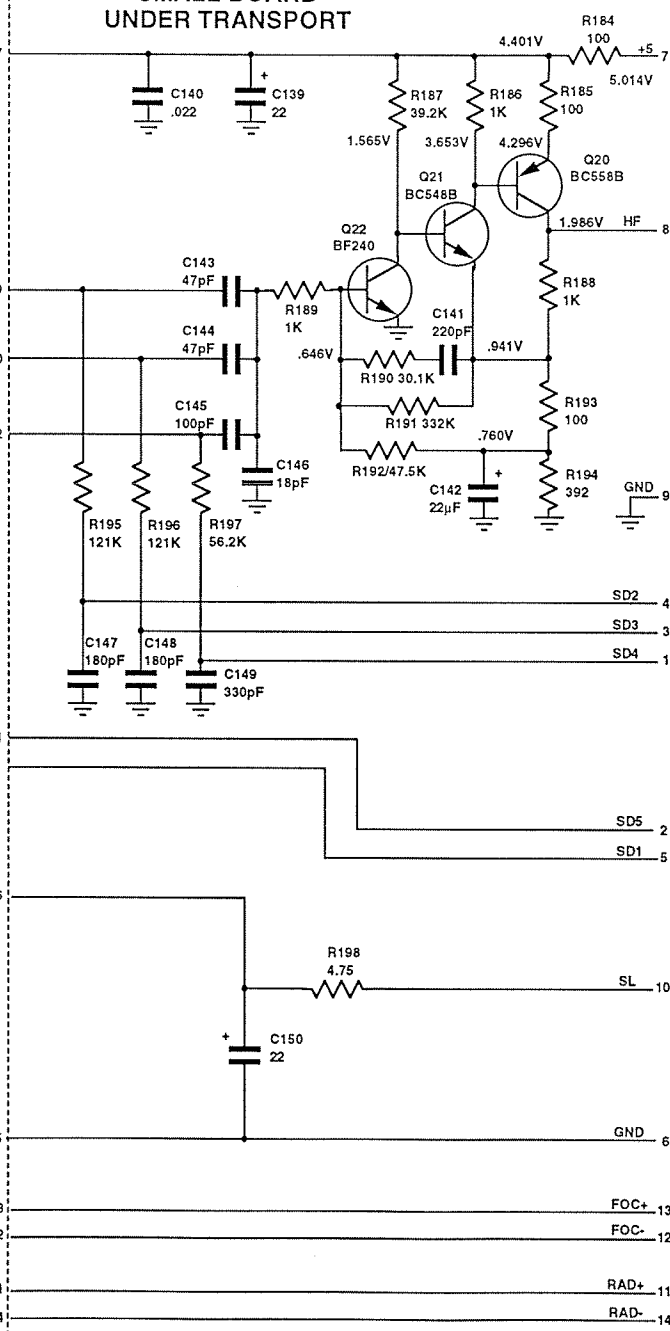
SIGNAL & FOCUS DIODES

TRACKING DIODES

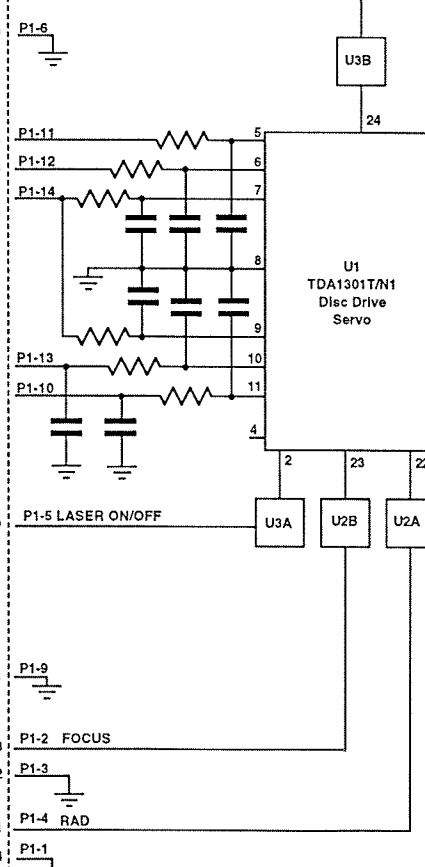
MONITOR DIODE LASER DIODE



FOCUS MOTOR
RADIAL MOTOR



SEE MAIN BOARD
Page 1 of 5



AUDIO RESEARCH CORPORATION

5740 GREEN CIRCLE DRIVE
MINNETONKA, MN 55343-4424

CD1 TRANSPORT

REV K
Page 5 of 5
12-29-94

PROPRIETARY NOTICE: THIS DRAWING CONTAINS PATENTED, PATENT APPLIED FOR, AND/OR OTHER CIRCUITRY CONSIDERED PROPRIETARY BY AUDIO RESEARCH CORPORATION AND IS FURNISHED ON A CONFIDENTIAL BASIS FOR IDENTIFICATION PURPOSES ONLY.