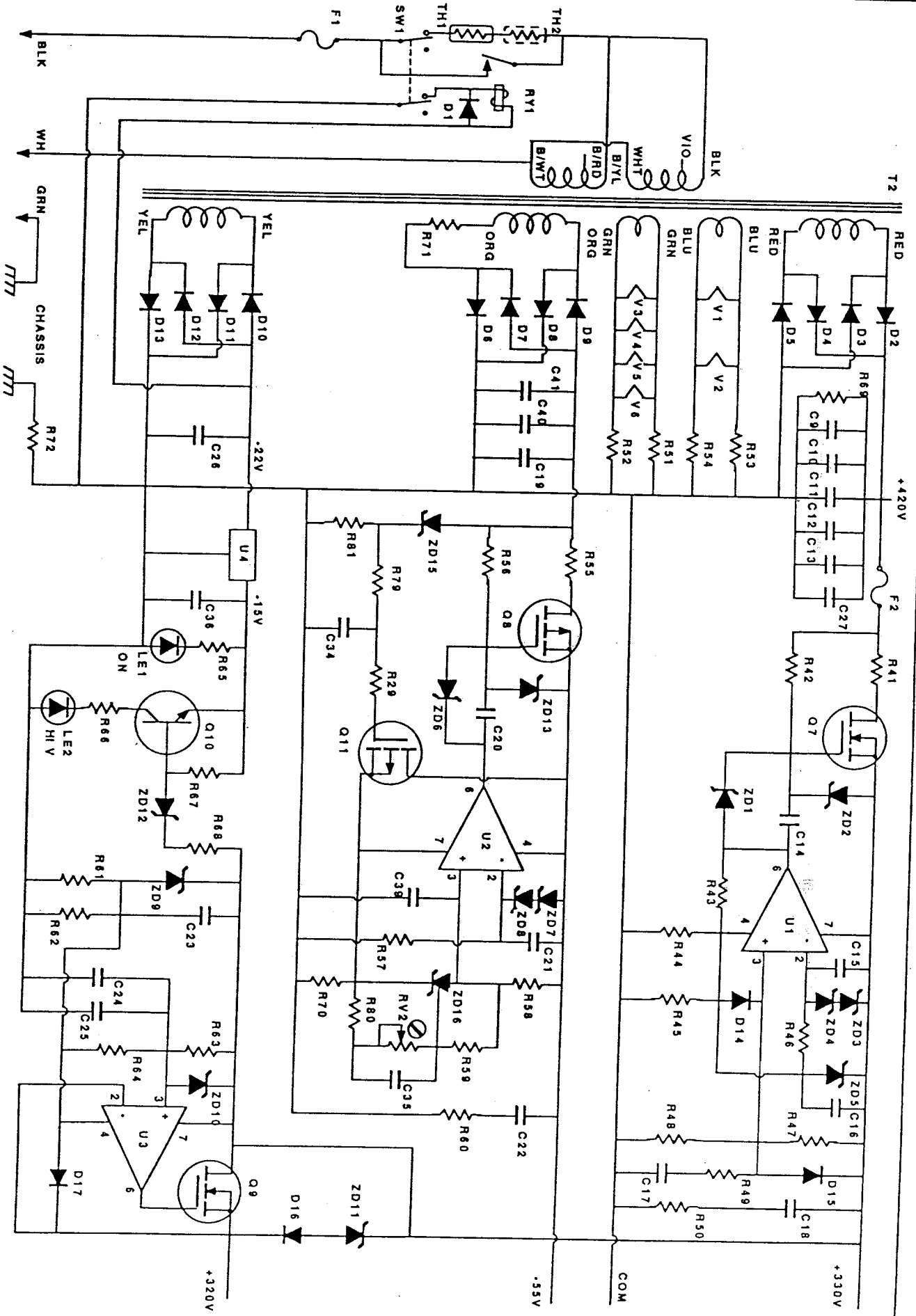


MODEL CLASSIC 30
STEREO POWER AMPLIFIER
SCHEMATIC
AND
PARTS LIST

11-1-88

audio research corporation

6801 SHINGLE CREEK PARKWAY
MINNEAPOLIS, MINNESOTA 55430

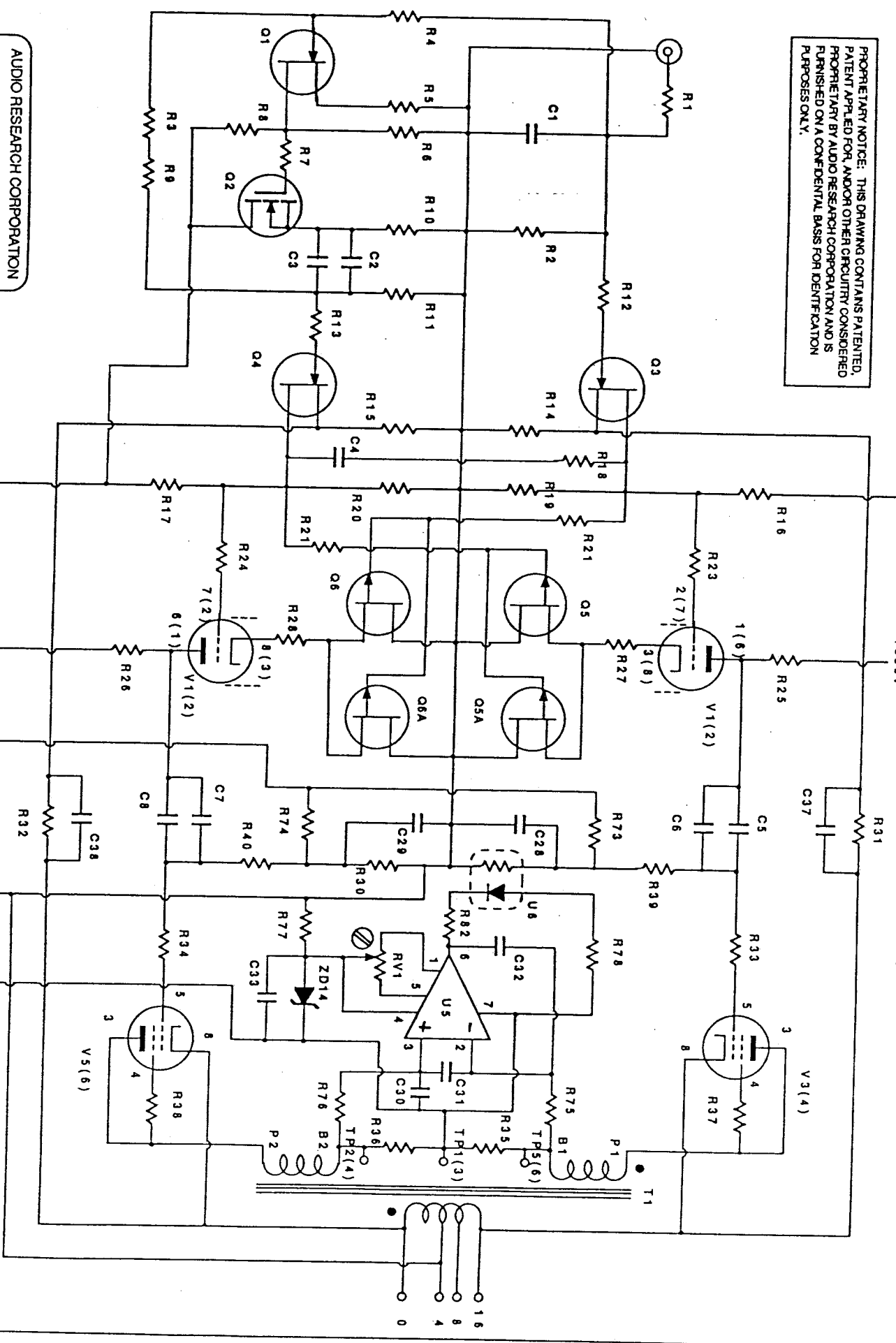


PROPRIETARY NOTICE: THIS DRAWING CONTAINS PATENTED, PATENT APPLIED FOR, AND/OR OTHER CIRCUITRY CONSIDERED PROPRIETARY BY AUDIO RESEARCH CORPORATION AND IS FURNISHED ON A CONFIDENTIAL BASIS FOR IDENTIFICATION PURPOSES ONLY.

AUDIO RESEARCH CORPORATION
6901 SHINGLE CREEK PARKWAY
MINNEAPOLIS, MN 55430

CLASSIC 30 POWER SUPPLY
PAGE 2 OF 2 11-3-88

PROPRIETARY NOTICE: THIS DRAWING CONTAINS PATENTED, PATENT APPLIED FOR, AND/OR OTHER CIRCUITRY CONSIDERED PROPRIETARY BY AUDIO RESEARCH CORPORATION AND IS FURNISHED ON A CONFIDENTIAL BASIS FOR IDENTIFICATION PURPOSES ONLY.



AUDIO RESEARCH CORPORATION
6801 SHINGLE CREEK PARKWAY
MINNEAPOLIS, MN 55430

PARTS LIST

As of OCT 28 88

PRODUCT: CL30

CL30

NOTES:

Schematic Symbol	Quantity	ARC Part#	Description
R 47, 47A	2	42178403	RES. 17.8K 1% MK-3 50PPM
R 48	1	42280513	RES. 280K 1% MK-4 50PPM
R 48A	1	42750503	RES. 750K 1% MK-3 50PPM
R 49	1	42332203	RES. 332 OHM 1% MK-3 50PPM
R 50, 60	2	43100002	RES. 1 OHM 2W 5% W.W.
R 55	1	42549103	RES. 54.9 OHM 1% MK-3 50PPM
R 56	1	42357403	RES. 35.7K 1% MK-3 50PPM
R 59	1	42274403	RES. 27.4K 1% MK-3 50PPM
R 63, 64	2	42100703	RES. 10 MEG 1% MK-3 50PPM
R 67	1	42100403	RES. 10K+/-1% MK-3 50PPM
R 68	1	42121503	RES. 121K 1% MK-350PPM
R 69, 77	3	42300514	RES. 300K 1% MK-5 50PPM
R 70	1	42121303	RES. 1.21K 1% MK-3 50PPM
R 71, 72	2	42100103	RES. 10 OHM 1% MK-3 50PPM
R 75, 76	4	42464603	RES. 4.64 MEG. 1% MK-3 50PPM
R 80	1	42162503	RES. 162K 1% MK-3 50PPM
			CONTROLS
RV 1	2	45500301	TRIM POT, 5K 10% 15 TURN
RV 2	1	45100527	POT. 100 K 10%
			RELAYS
RY 1	1	64101200	RELAY, 24V T90 POWER ON
			SWITCHES
SW 1	1	24100900	TOGGLE SW., SHORT BAR, AMP.
			TRANSFORMERS
T 1	2	60005610	XFR.CL30, OUTPUT REV. A
T 2	1	60005801	XFR. D70/CL30 ALL-TAP REV.D
			THERMISTORS
TH 1,2	2	47000400	THERMISTOR 50 OHM
			INTEGRATED CIRCUITS
U 1,2	2	31002200	MC 34071 P MOTOROLA
U 3	1	31001900	TL071CP
U 4	1	31002700	MC7915 CT MOT.
U 6	2	34400120	PHOTO COUPLER
			VACUUM TUBES
V 1,2	2	32000201	VAC.TUBE, 6CG7/6FQ7
V 3,4,5,6	4	32000501	VAC.TUBE, 6550 [TESTED]
			ZENER DIODES
ZD 1	1	30504200	IN5535A
ZD 2,13	2	30500300	IN 4740A
ZD 3,4,7,8	4	31000705	LM329DZ
ZD 5	1	30503500	IN5359 B
ZD 6	1	30501800	IN5245B
ZD 9,10,11	3	30503700	DIODE, Z20 10%
ZD 12	1	30503600	TZB 250A TRANSIENT SUPPRESSOR
ZD 14	2	30502700	IN4742-A
ZD 15	1	30504700	DIODE, 1N5262B
ZD 16	1	31002600	ZENER DIODE, TL431CLP ADJ

PARTS LIST

As of OCT 28 88

PRODUCT: CL30

CL30

NOTES:

Schematic Symbol	Quantity	ARC Part#	Description
CAPACITORS			
C 1,1A	4	53150202	CAP. 150 PF 2 1/2% 630V PPN
C 2,5,7,13,17,24,27,41	11	53100406	CAP. .01 MFD +/- 10% 630 V
C 3	2	53100606	CAP. 1 MFD +/- 10% 250V
C 4	2	53330200	CAP. 330 PF 2 1/2% 160V
C 6,8	4	53100800	CAP. 1 MFD 450V
C 9,10	2	50800801	CAP. 800MF 450V GRAY
C 11,12 18,25	4	53200602	CAP. 2 MFD+/-10% 450V
C 14,15,16,20,21,23,30,32,34	11	53220507	CAP. .22 MF 10% 160V
C 19	1	50470802	CAP. 470 MF 100V LYTIC
C 22	1	53200603	CAP. 2 MFD +/- 10% 250V
C 26	1	50680800	CAP. 680 MFD 35V
C 28,29,33,35,39	8	53100408	CAP. .01 MF 10% 63V PPN
C 31	2	53220306	CAP. 2200 PF 10% 100VDC
C 36	1	51220601	CAP. 2.2 MF+/-10% 25V
C 37,38	4	53560103	CAP. 56 PFD +/-2% 630V DPN
C 40	1	53470511	CAP. .47MF +/-20% 250V
DIODES			
D 1,6,7,8,9,10,11,12,13	9	30500400	IN4005 GENERAL INSTRUMENT
D 2,3,4,5	4	30503310	EDAL #M4G5
D 14,15,16,17	4	30500910	FAIRCHILD IN916B
FUSES			
F 1 (120V)	1	34500701	FUSE, D120 MDX4 SLO BLOW
F 1 (100V)	1	34500505	FUSE, MDX5/MDLS
F 1 (220/240V)	1	34501301	FUSE, MDX-2
F 2	3	34500102	FUSE, BUSSMAN AGC 1/4
PANEL INDICATOR			
LE 1,2	2	34300102	LED,COLLAR & RETAINING RING
TRANSISTORS			
Q 1	2	30006503	FET, WHITE ORANGE
Q 2	2	30006723	FET, ORANGE RED ORANGE
Q 3,4	4	30006527	FET, WHITE RED VIOLET
Q 5,6	4	30006401	FET, BLUE BROWN
Q 7	1	30006836	FET, GREEN BLUE
Q 8	1	30006200	MTP 2P45
Q 9	1	30007102	FET, YELLOW RED
Q 10	1	30002800	TRANSISTOR,2N4401
Q 11	1	30007029	FET, GRAY WHITE
RESISTORS			
R 1	2	42100314	RES. 1K 1% MK-5 50PPM
R 2	2	42432503	RES. 432K 1% MK-3 50PPM
R 3,46	3	42499303	RES. 4.99K 1% MK-3 50PPM
R 4,9	4	42127503	RES. 127K 1% MK-3 50PPM
R 5,12,13,14,15,21,22	14	42150203	RES. 150 OHM 1% MK-3 50PPM
R 6	2	42215403	RES. 21.5K 1% MK-3 50PPM
R 7,51,52,53,54	6	42100203	RES. 100 OHM 1% MK-3 50PPM
R 8,25,25A,26,26A,44,45,61,62	14	42100505	RES. 100 1% MK-8 50PPM
R 10,27A,28A,73,73A,74,74A	14	42392303	RES. 3.92K 1% MK-3 50PPM
R 11	2	42100603	RES. 1 MEG 1% MK-3 50PPM
R 16,17	4	42825405	RES. 82.5K 1% MK-8 50PPM
R 18,30,30A,57,81	8	42150403	RES. 15K 1% MK-3 50PPM
R 19,19A,20,20A,58,78,80	13	42750303	RES. 7.5K 1% MK-3 50PPM
R 23,24	4	42499203	RES. 499 OHM 1% MK-3 50PPM
R 27,28	4	42301303	RES. 3.01K 1% MK-3 50PPM
R 29	1	42432103	RES. 43.2 OHM 1% MK-3 50PPM
R 31,32	4	42511313	RES. 5.11K 1% MK-4 50PPM
R 33,34,65,66	6	42100303	RES. 1K 1% MK-3 50PPM
R 35,36	4	43050004	RES. 0.5 OHM+/-2% 3W W.W.
R 37,38,	4	43100200	RES. 100 OHM 5% 2W
R 39,40	4	42100503	RES. 100K+/-1% MK-3 50PPM
R 41	1	46100201	RES. POWER OX.100 OHM 5% 3W
R 42,79	2	42301503	RES. 301K 1% MK-3 50PPM
R 43	1	42392403	RES. 39.2K 1% MK-3 50PPM