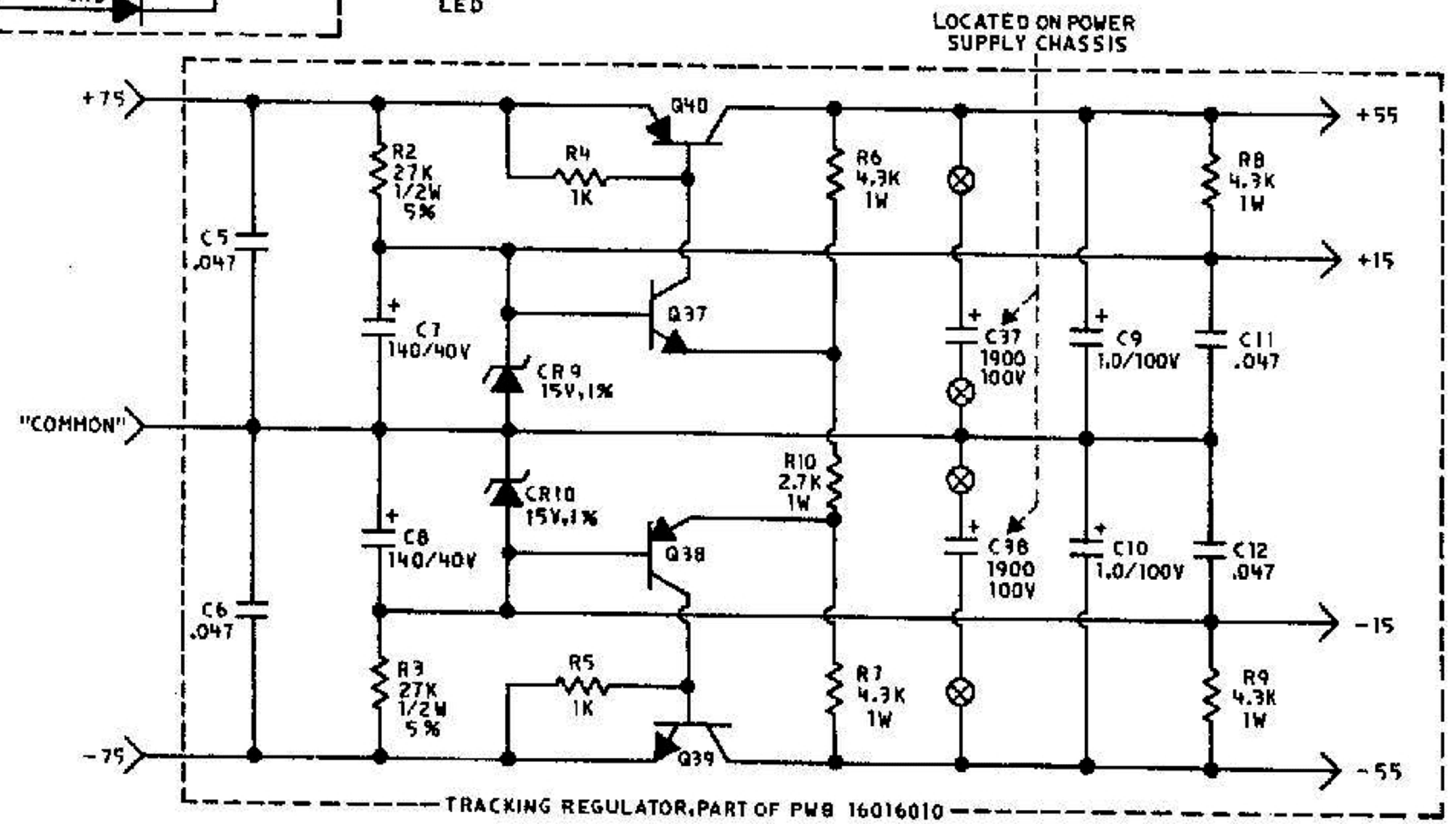


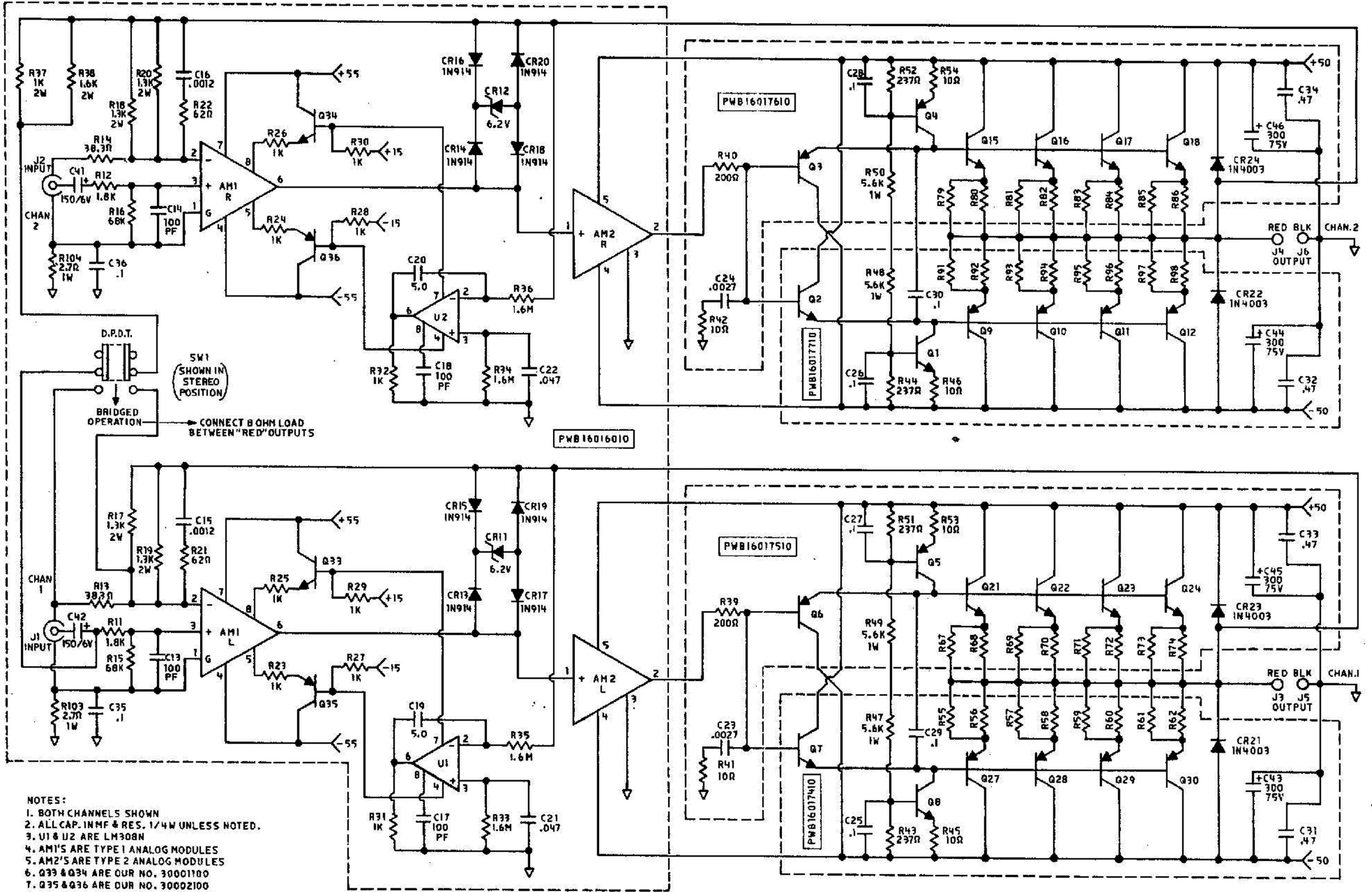
TRANSFORMER PRIMARY WIRING

VOLTAGE	LEAD CONNECTIONS
120 VAC	BLU TO BLK, BLK/WHT TO BLU/WHT
240 VAC	BLK/WHT TO BLU

(120 VAC WIRING SHOWN)

- NOTES:
1. - CR1-CR8 ARE 1N4003
 2. - BR1 = VARO VK248
 3. - SW2 MOUNTED ON HEAT SINK ASSEMBLY
 4. - ALL CAP. IN MF & RES. 1/4W UNLESS NOTED
 5. - Q37, 38 ARE M.P., OUR NO. 30001100 & 30002100
 6. - Q39, 40 ARE M.P., OUR NO. 30002400 & 30002500
 7. - C9, 10 WAS 90/75V, OR OPEN.
 8. - R2, 3 WAS 100K.





- NOTES:
1. BOTH CHANNELS SHOWN
 2. ALL CAP. IN MF & RES. 1/4W UNLESS NOTED.
 3. U1 & U2 ARE LM308N
 4. AM1'S ARE TYPE 1 ANALOG MODULES
 5. AM2'S ARE TYPE 2 ANALOG MODULES
 6. Q33 & Q34 ARE OUR NO. 30001100
 7. Q35 & Q36 ARE OUR NO. 30002100
 8. Q1, 2, 7, 8 ARE OUR NO. 30002400 | MATCHED SET
 9. Q3, 4, 5, 6 ARE OUR NO. 30002500 | SET
 10. Q9-14, 27-32 ARE OUR NO. 30002700 | MATCHED SET
 11. Q15-20, 21-26 ARE OUR NO. 30002600 | SET
 12. R55 - 98 ARE 1.0Ω, 1W, 5%

D-100B PARTS LIST

COMPONENT	QUAN.	DESCRIPTION	VALUE	RATING	TOL.	ARC PART NO.
AM1	2	Type AM1, Analog Module				AM-1
AM2	2	Type AM2, Analog Module				AM-2
U1, U2	2	LM308N Op-Amp				31000300
Q1, 2, 7, 8, 39	5	NPN (2 SD733 ≈ MJ15015)				300024XX
Q3, 4, 5, 6, 40	5	PNP (2 SB697 ≈ MJ15016)				300025XX
Q9-12, 27-30	8	PNP (≈ MJ-35004)				300027XX
Q15-18, 21-24	8	NPN (≈ MJ-35003)				300026XX
Q33, 34, 37	3	NPN 2N3440 AR				30001100
Q35, 36, 38	3	PNP 2N5415 AR				30002100
BR1	1	VK248 (4 diodes 1N4431 Fa)				30501900
R1	1	Carbon Comp.	1.8K	2W	5%	41180305
R2, R3	2	Carbon Comp.	27K	1/2W	10%	40270403
R4, 5, 23-30	10	Metal Film	1K	1/4W	1%	42100302
R6-9	4	Metal Film	4.3K	1W	2%	46430301
R10	1	Metal Film	2.7K	1W	2%	46270301
R11, R12	2	Carbon Comp.	1.8K	1/4W	5%	41180302
R13, R14	2	Metal Film	38.3Ω	1/4W	1%	42383102
R15, R16	2	Carbon Comp.	68K	1/4W	5%	41680402
R17-20	4	Metal Film	1.3K	2W	2%	46130301
R21, R22	2	Carbon Comp.	62Ω	1/4W	5%	41620102
R31, R32	2	Carbon Comp.	1K	1/4W	5%	41100302
R33-36	4	Carbon Comp.	1.6M	1/4W	5%	41160602
R37	1	Metal Film	1K	2W	2%	46100301
R38	1	Metal Film	1.6K	2W	2%	46160301
R39, R40	2	Carbon Comp.	200Ω	1/4W	5%	41200202
R41, R42	2	Carbon Comp.	10Ω	1/4W	5%	41100102
R43, 44, 51, 52	4	Metal Film	237Ω	1/4W	1%	42237202
R45, 46, 53, 54	4	Metal Film	10Ω	1/4W	1%	42100102
R47-50	4	Metal Film	5.6K	1W	2%	46560301
R55-62, 67-74, R79-86, 91-98	32	Wire Wound	1Ω	2W	5%	43100002
R103, R104	2	Carbon Comp.	2.7Ω	1W	5%	41270004
CR1-6, 21-24	10	1N4005		600V		30500400
CR9, CR10	2	0.5M15ZS1 (1N5245B)	15V	500MW	1%	30501800
CR11, CR12	2	1N5234B (2X57C 6V2)	6.2V	500MW	5%	30502100
CR13-20	8	1N914 (1N914)				30500900
C1, 2, 39, 40	4	Electrolytic	30,000μF	60V	-10/+75%	50301000
C3, 4, 37, 38	4	Electrolytic	1900μF	100V	-10/+75%	50190900
C5, 6, 11, 12, 21, 22	6	Metalized Mylar	.047μF	200V	10%	53470401
C7, C8	2	Electrolytic	140μF	40V	-10/+75%	50140801
C9, C10	2	Metalized Mylar	1.0μF	100V	-10/+75%	53100600
C13, 14, 17, 18	4	Dipped Silver Mica	100pf	500V	5%	57100201
C15, 16	2	Metalized Mylar	.0012μF	200V	10%	53120301
C19, C20	2	Metalized Mylar	5.0μF	100V	10%	53500603
C23, C24	2	Metalized Mylar	.0027μF	200V	10%	53270301
C25-28, 35, 36	8	Metalized Mylar	.1μF	200V	10%	53100503
C31-34	4	Metalized Mylar	.47μF	200V	10%	53470504
C41, C42	2	Tantalum	150μF	6V		51150801
C43-46	4	Electrolytic	300μF	75V		50300802
F1	1	Slo-Blo	4A	125V		34500701
F1	1	Slo-Blo	2A	250V		34501301
F2-5	4	Normal Blow	6A	250V		34500600
F6, F7	2	Slo-Blo Pigtail	1/4A	250V		34500101
T1	1	AM8009				60003101
SW1	1	MSS-204NG				24100500
SW2	1	3450-056-077				24300100
LED	1	3505G-Green				34300100
J1, J2	2	Phono Jack				23201000
J3, J4	2	Binding Post-Red				23102500
J5, J6	2	Binding Post-Black				23102600