

audio research

H I G H D E F I N I T I O N[®]

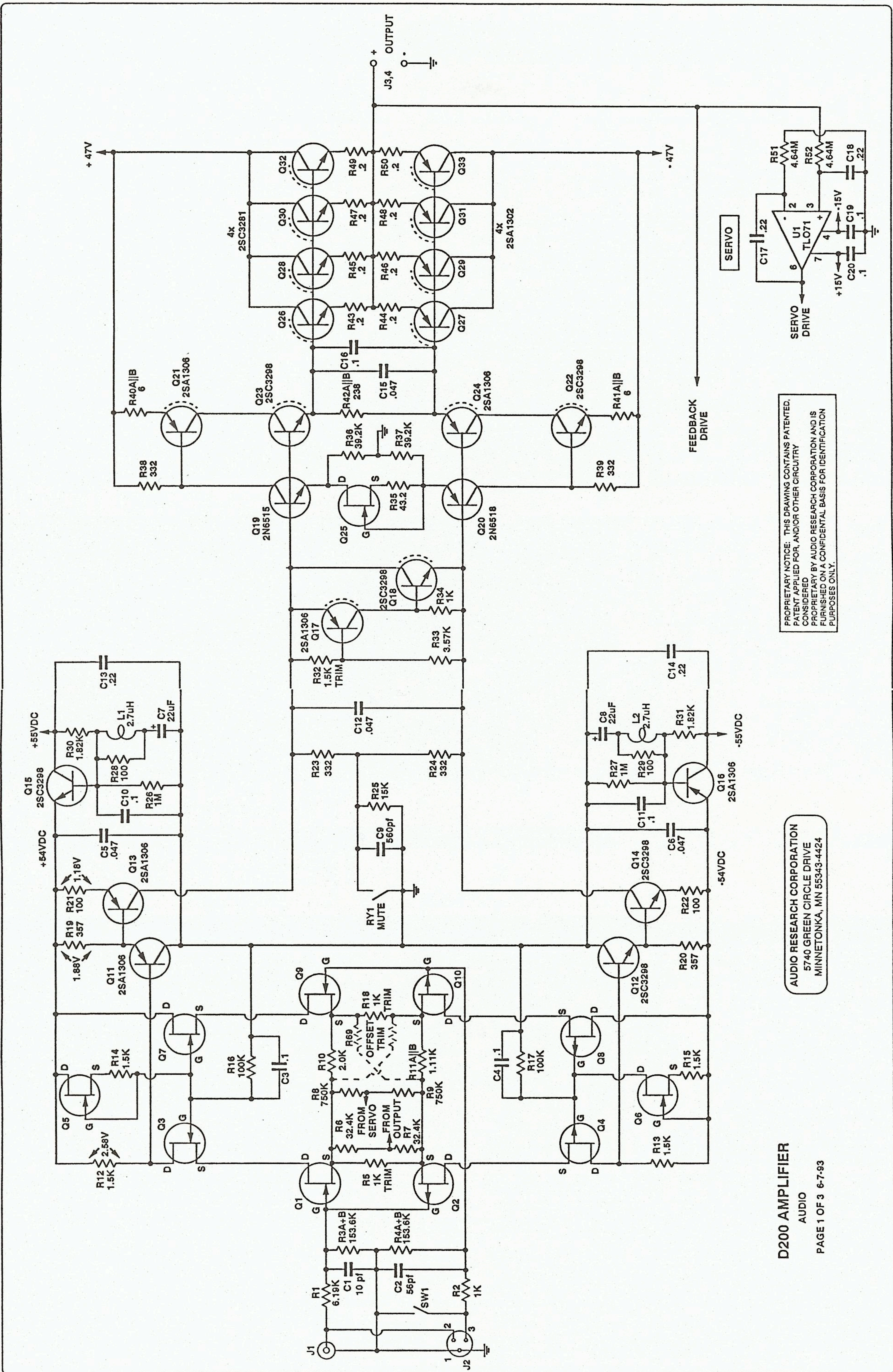
5740 GREEN CIRCLE DRIVE / MINNETONKA, MINNESOTA 55343-4424 / PHONE 612/939-0600 FAX 612/939-0604

D200 AMPLIFIER

SCHEMATIC AND PARTS LIST

3-17-93

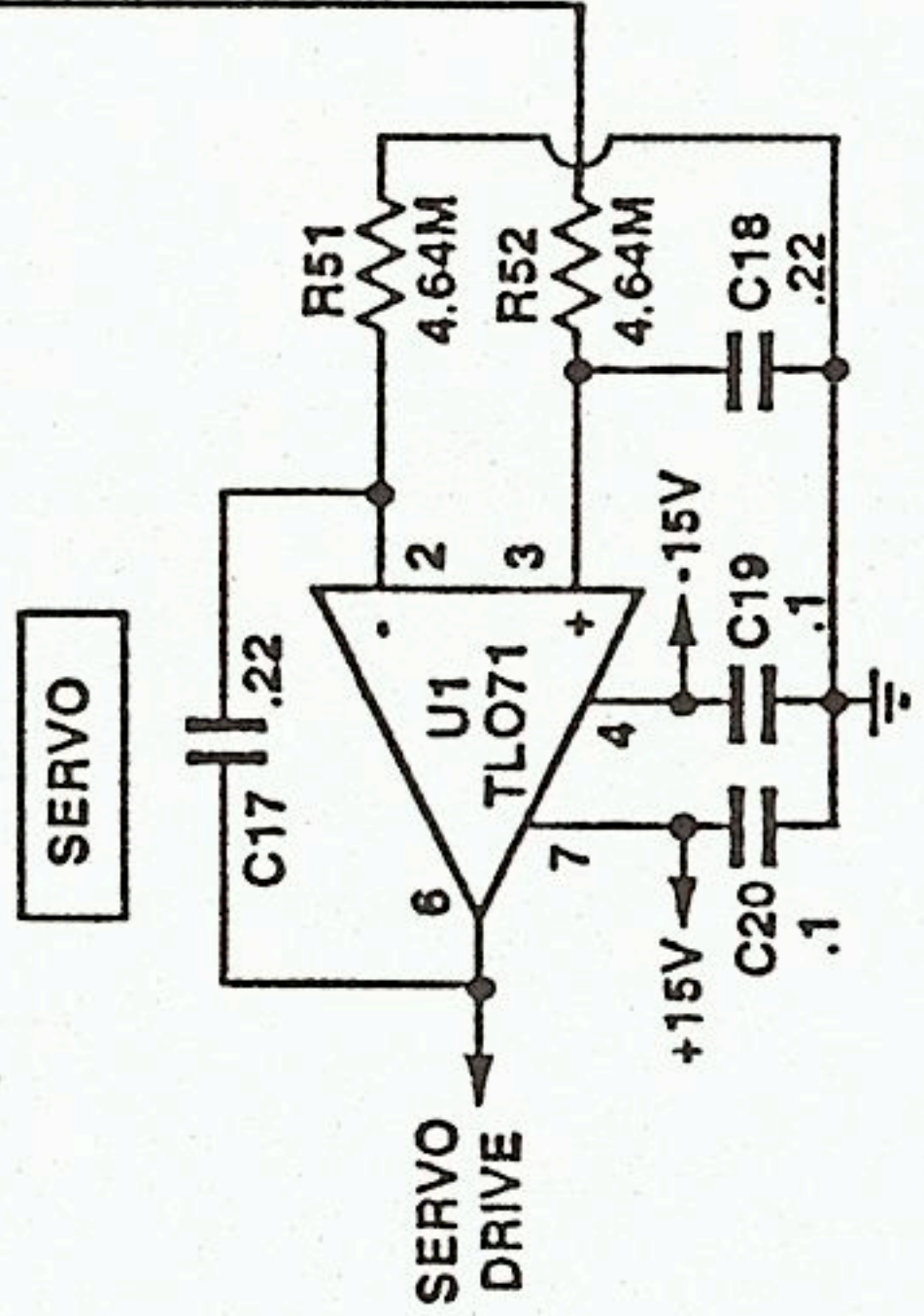
6-7-93

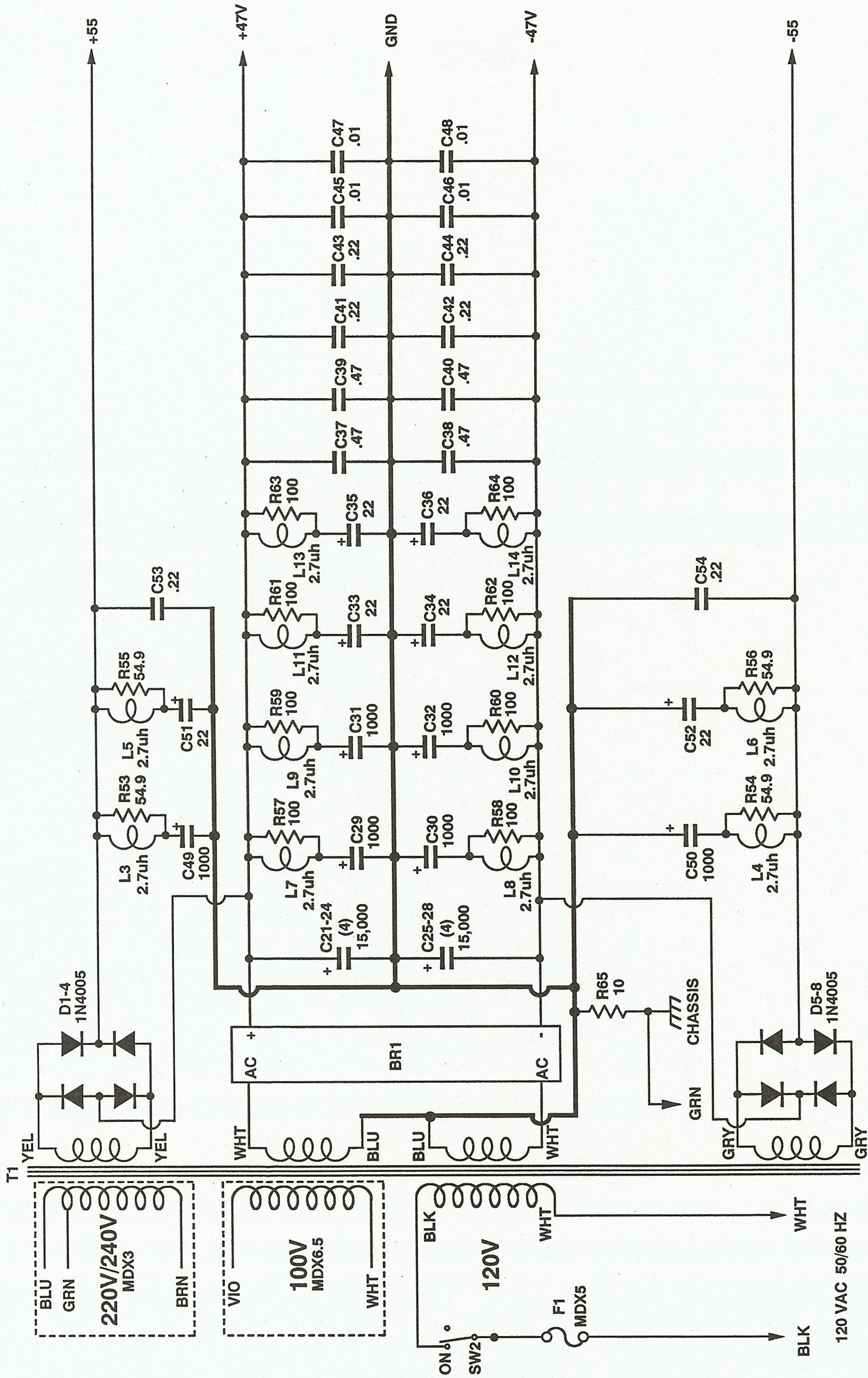


PROPRIETARY NOTICE: THIS DRAWING CONTAINS PATENTED, PATENT APPLIED FOR, AND/OR OTHER CIRCUITRY CONSIDERED PROPRIETARY BY AUDIO RESEARCH CORPORATION AND IS FURNISHED ON A CONFIDENTIAL BASIS FOR IDENTIFICATION PURPOSES ONLY.

AUDIO RESEARCH CORPORATION
5740 GREEN CIRCLE DRIVE
MINNETONKA, MN 55343-4424

D200 AMPLIFIER
AUDIO
PAGE 1 OF 3 6-7-93





PROPRIETARY NOTICE: THIS DRAWING CONTAINS PATENTED, PATENT APPLIED FOR, AND/OR OTHER CIRCUITRY CONSIDERED PROPRIETARY BY AUDIO RESEARCH CORPORATION AND IS FURNISHED ON A CONFIDENTIAL BASIS FOR IDENTIFICATION PURPOSES ONLY.

AUDIO RESEARCH CORPORATION
 5740 GREEN CIRCLE DRIVE
 MINNETONKA, MN 55343-4424

D200 AMPLIFIER
 POWER SUPPLY
 PAGE 2 OF 3 3-17-93

PARTS LIST

As of JUN 3 93

PRODUCT: D200

NOTES:

Schematic Symbol	Quantity	ARC Part #	Description
Q 12,14	4	30010104	2SC3298B, TESTED (YELLOW)
Q 15,18,22,23	8	30010100	2SC3298B
Q 16,17,21,24	8	30010000	2SA1306B
Q19	2	30003400	TRANSISTOR,2N6515
Q20	2	30003500	TRANSISTOR,2N6518
Q26,28,30,32	8	30010300	2SC3281
Q27,29,31,33	8	30010200	2SA1302
Q34	1	30007400	TRIAC MOTOROLA MAC 97-6
Q35,36,38	3	30003100	TRANSIST.,2N5088,2N5209,2N5210
Q37	1	30006706	FET, ORANGE BLUE
R RESISTORS			
R1	2	42619314	RES. 6.19K 1% MK-5 50PPM
R2	2	42100314	RES. 1K 1% MK-5 50PPM
R3A,B,R4A,B	8	42768403	RES. 76.8K 1%MK-3 50PPM
R 5,18,34,80	7	42100303	RES. 1K 1% MK-3 50PPM
R 6,7	4	42324403	RES. 32.K 1% M-3 50PPM
R 8,9	4	42750503	RES. 750K 1% MK-3 50PPM
R10	4	42200303	RES. 2K MK-3 1% 50PPM
R 11A,30,31	6	42182303	RES. 1.82K 1% MK-3 50PPM
R 11B	2	42287303	RES. 2.87K 1% MK-3 50PPM
R12,13,14,15,71	9	42150303	RES. 1.50K 1% MK-3 50PPM
R16,17,79	5	42100503	RES. 100K+/-1% MK-3 50PPM
R19,20	4	42357203	RES. 357 OHM 1% MK-3 50PPM
R21,22,28,29,57-64	16	42100203	RES. 100 OHM 1% MK-3 50PPM
R23,24,38	6	42332203	RES. 332 OHM 1% MK-3 50PPM
R25	2	42150414	RES. 15K 1% MK-5 50PPM
R26,27,72	5	42100603	RES. 1 MEG 1% MK-3 50PPM
R32	2	42121303	RES. 1.21K 1% MK-3 50PPM
R 32B	2	45500301	TRIM POT, 5K 10% 15 TURN
R 32C	2	42698303	RES. 6.98K 1% MK-3 PPM
R33	2	42357303	RES. 3.57K MK3 1% 50PPM
R35	2	42432103	RES. 43.2 OHM 1% MK-3 50PPM
R36,37,68,70	6	42392403	RES. 39.2K 1% MK-3 50PPM
R40A,41A,65	5	42100103	RES. 10 OHM 1% MK-3 50PPM
R40B,41B	4	42150103	RES. 15 OHM 1% MK-3 50PPM
R42A,42B,39A	6	42475203	RES. 475 OHM 1% MK-3 50PPM
R43-50	16	43200004	RES. 0.2 OHM 5% 5W
R51,52	4	42464603	RES. 4.64 MEG. 1% MK-3 50PPM
R53,54,55,56	4	42549103	RES. 54.9 OHM 1% MK-3 50PPM
R67A,B,R74A,B	4	42665303	RES. 6.65K 1% MK-3 50PPM
R73	1	43330301	RES. 3.3K 2-3W. 10%
R75,76	2	42301503	RES. 301K 1% MK-3 50PPM
R77A	1	42221503	RES. 221K 1% MK-3 50PPM
R77B	1	42150503	RES. 150K 1% MK-3 50PPM
R78	1	42255403	RES. 25.5K 1% MK-3 50PPM
RY RELAYS			
RY1	2	64101300	RELAY, 24V 10A PC MNT.

PARTS LIST

As of JUN 3 93

PRODUCT: D200

NOTES:

Schematic Symbol		Quantity	ARC Part #	Description
	SW			SWITCHES
SW1		2	24101510	TOGGLE, RECEIVER NON-THREADED
SW2		1	24102200	ROCKER SWITCH
	T			TRANSFORMERS
T1		1	60010200	XFR. D200 120V.
	U			INTEGRATED CIRCUITS
U1,2		3	31001900	J FET INPUT OP-AMP
	ZD			ZENER DIODES
ZD1,4		2	30501800	IN5245B
ZD2		1	30503000	IN4752A
ZD3		1	30500300	IN4740A