

audio research corporation

6801 SHINGLE CREEK PARKWAY
MINNEAPOLIS, MINNESOTA 55430
AREA CODE 612 / 566-7570
FAX 612 / 566-3402

MODEL D240MKII POWER AMPLIFIER

SCHEMATIC AND PARTS LIST

10-25-91

■ HIGH DEFINITION
SOUND EQUIPMENT

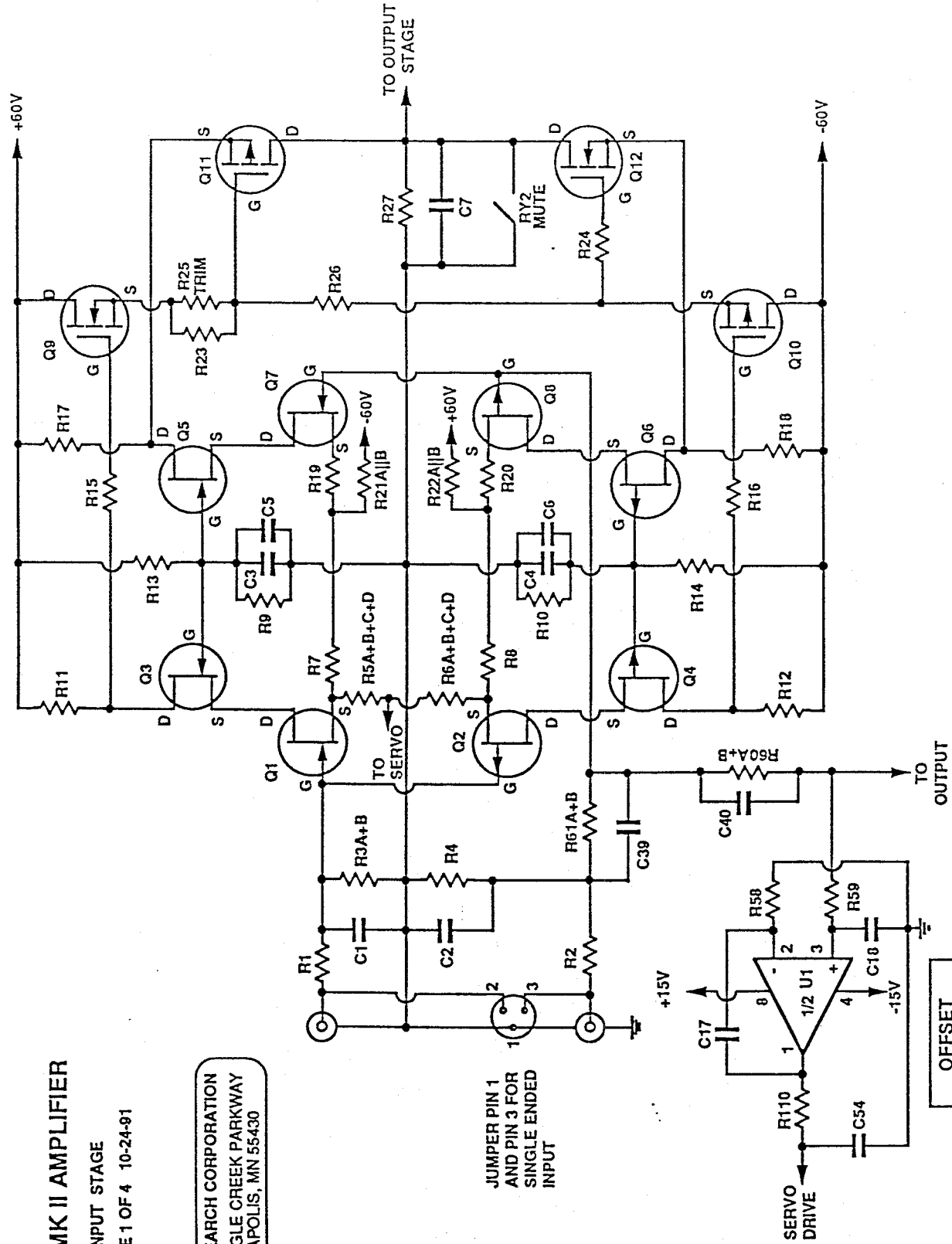
D240 MK II AMPLIFIER

INPUT STAGE

PAGE 1 OF 4 10-24-91

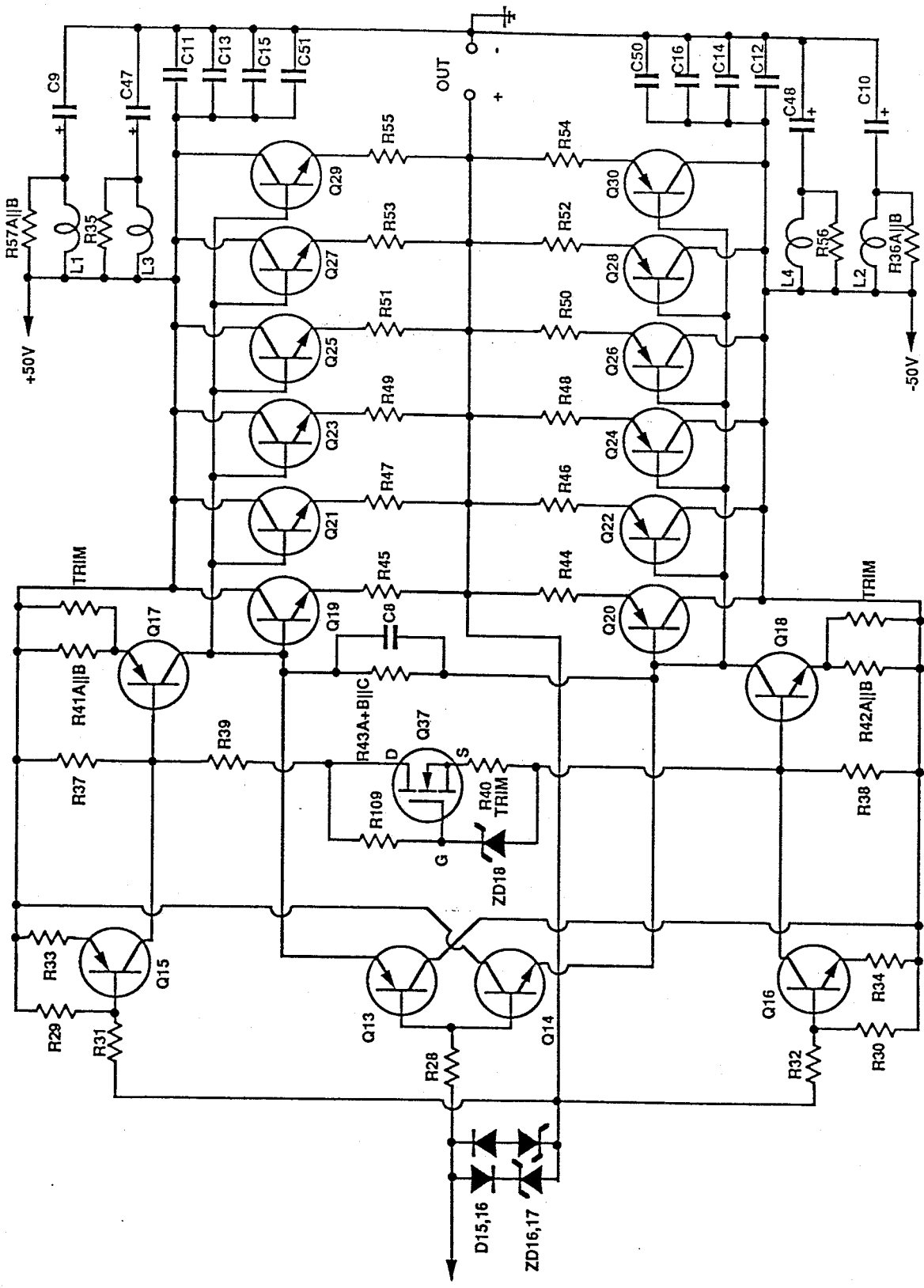
AUDIO RESEARCH CORPORATION
6801 SHINGLE CREEK PARKWAY
MINNEAPOLIS, MN 55430

JUMPER PIN 1
AND PIN 3 FOR
SINGLE ENDED
INPUT



PROPRIETARY NOTICE: THIS DRAWING CONTAINS PATENTED,
PATENT APPLIED FOR, AND/OR OTHER CIRCUITRY CONSIDERED
PROPRIETARY BY AUDIO RESEARCH CORPORATION AND IS
FURNISHED ON A CONFIDENTIAL BASIS FOR IDENTIFICATION
PURPOSES ONLY.

OFFSET
CORRECTION

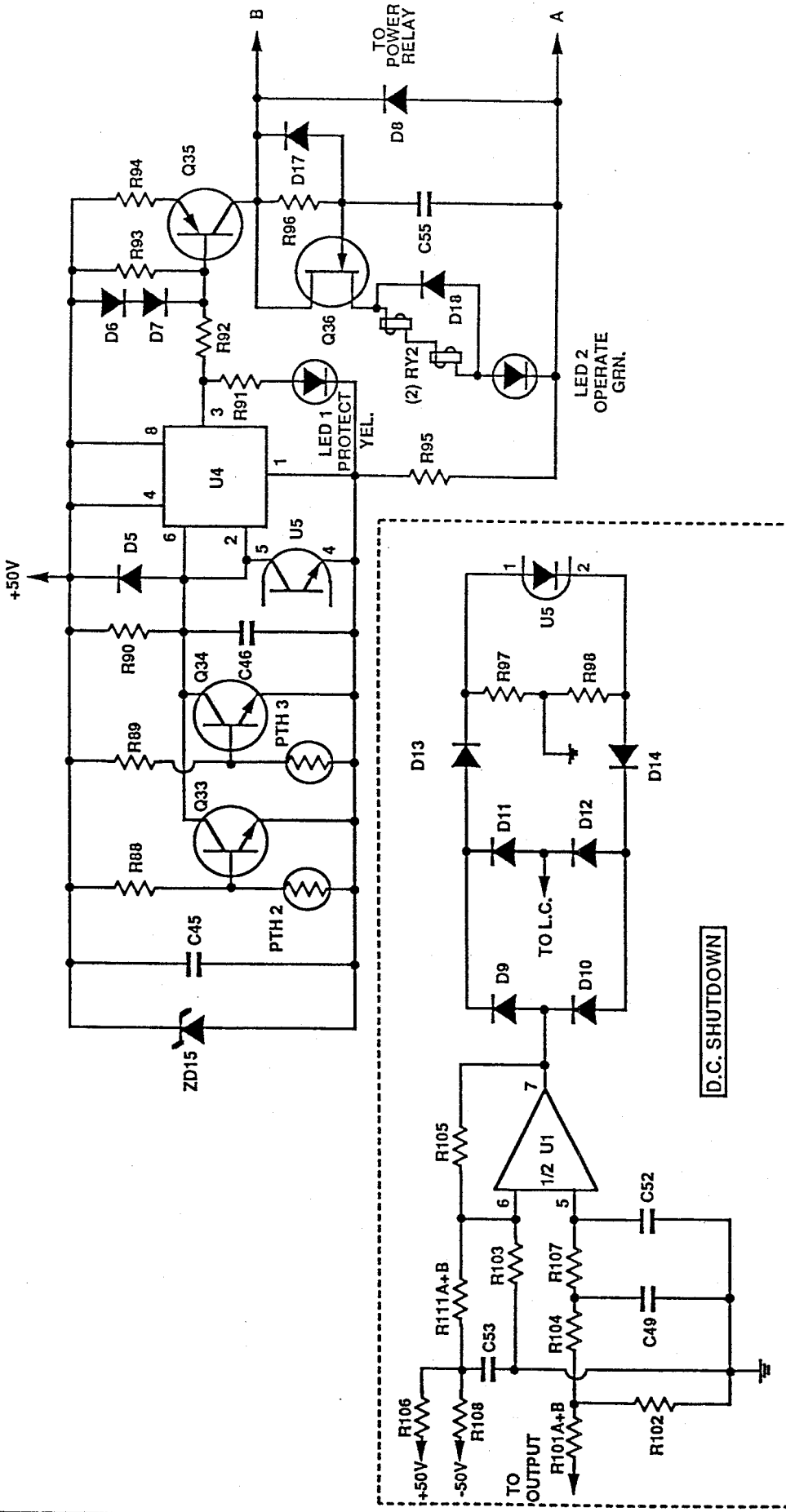


PROPRIETARY NOTICE: THIS DRAWING CONTAINS PATENTED, PATENT APPLIED FOR, AND/OR OTHER CIRCUITRY CONSIDERED PROPRIETARY BY AUDIO RESEARCH CORPORATION AND IS FURNISHED ON A CONFIDENTIAL BASIS FOR IDENTIFICATION PURPOSES ONLY.

AUDIO RESEARCH CORPORATION
 6801 SHINGLE CREEK PARKWAY
 MINNEAPOLIS, MN 55430

D240 MK II AMPLIFIER
 OUTPUT STAGE

10-24-91



D240 MK II AMPLIFIER
 TIMER / PROTECT
 PAGE 4 OF 4 10-24-91

PROPRIETARY NOTICE: THIS DRAWING CONTAINS PATENTED,
 PATENT APPLIED FOR, AND/OR OTHER CIRCUITRY CONSIDERED
 PROPRIETARY BY AUDIO RESEARCH CORPORATION AND IS
 FURNISHED ON A CONFIDENTIAL BASIS FOR IDENTIFICATION
 PURPOSES ONLY.

AUDIO RESEARCH CORPORATION
 6801 SHINGLE CREEK PARKWAY
 MINNEAPOLIS, MN 55430

PARTS LIST

As of OCT 25 91

PRODUCT: D240 MK11

NOTES:

Schematic Symbol	Quantity	ARC Part #	Description
LE PANEL INDICATOR			
LE 1	1	34300400	L.E.D. YELLOW,D240
LE 2	1	34300300	L.E.D. GREEN,D240
PTH POSISTERS			
PTH 1,1A	2	47000600	POSISTER 15 OHM PTH
PTH 2,3	2	47000500	POSISTOR 330 OHM PTH
Q TRANSISTORS			
Q 1,3,5,7	8	30006526	FET, WHITE RED BLUE
Q 2,8	4	30006428	FET, GRAY,GRAY
Q 4,6	4	30006424	FET, GRAY YELLOW
Q 9	2	30007900	FET, VNO116N5 SUPERTEX
Q 10	2	30008000	FET, VPO116N5 SUPERTEX
Q 11	2	30008400	VP1116N5
Q 12	2	30008500	VN0216N5
Q 13,17	4	30008600	SANKEN 2SA1186
Q 14,18	4	30008700	SANKEN 2SC 2837
Q 15	2	30002900	TRANSISTOR,2N4403
Q 16	2	30002800	TRANSISTOR,2N4401
Q 19,21,23,25,27,29	14	30008300	SANKEN 2SC2921
Q 20,22,24,26,28,30	14	30008200	SANKEN 2SA1215
Q 31	1	30006834	FET, GREEN YELLOW
Q 32	1	30007029	FET, GRAY WHITE
Q 33,34	2	30003100	TRANSIST.,2N5088,2N5209,2N5210
Q 35	1	30005101	TIP42C
Q 36	1	30006602	FET, VIOLET RED
Q 37	1	30006725	FET, ORANGE RED GREEN
R RESISTORS			
R 1,2,27	6	42100314	RES. 1K 1% MK-5 50PPM
R 3A,3B,61A,61B	8	42768403	RES. 76.8K 1% MK-3 50PPM
R 4	2	42665503	RES. 665K 1% MK-3 50 PPM
R 5A,5B,5C,5D,6A,6B,6C,6D,110	18	42357403	RES. 35.7K 1% MK-3 50PPM
R 7,8,19,20,33,34	12	42162203	RES. 162 OHM 1% MK-3 50PPM
R 9,10,101A,101B,105	10	42100503	RES. 100K+/-1% MK-3 50PPM
R 11,12,91,97,98	7	42100303	RES. 1K 1% MK-3 50PPM
R 13,14,31,32,111A	10	42205503	RES. 205K 1% MK-3 50PPM
R 15-18,24,35,36A,36B,57A,57B,63,64	24	42100203	RES. 100 OHM 1% MK-3 50PPM
R 21A,22A,75A,76A	6	42150403	RES. 15K 1% MK-3 50PPM
R 21B,22B	4	42590403	RES. 59K 1% MK-3 50PPM
R 23,79,80	4	42332203	RES. 332 OHM 1% MK-3 50PPM
R 26	2	42200414	RES. 20K 1% MK-5 50PPM
R 28,43C	4	42200205	RES. 200 OHM+/-1% MK8 50PPM
R 29,30	4	42100403	RES. 10K+/-1% MK-3 50PPM
R 37,38	4	42499203	RES. 499 OHM 1% MK-3 50PPM
R 39,71,72	4	42619314	RES. 6.19K 1% MK-5 50PPM
R 41A,41B,42A,42B,87	9	42100103	RES. 10 OHM 1% MK-3 50PPM
R 43A,43B	4	42121303	RES. 1.21K 1% MK-3 50PPM
R 44-55	24	43200003	RES.0.2 OHM 5% 2W PRC SM186-19
R 58,59,96,107	7	42464603	RES. 4.64 MEG. 1% MK-3 50PPM

PARTS LIST

As of OCT 25 91

PRODUCT: D240 MK11

NOTES:

Schematic Symbol	Quantity	ARC Part #	Description
R 60A,60B	4	42240613	RES. 2.4 MEG. MK-4
R 62	1	43500102	RES. 50 OHM +/-10% 20W
R 65,66	2	42274103	RES. 27.4 OHM1% MK-3 50PPM
R 67,68	2	42511403	RES. 51.1K 1% MK-3 50PPM
R 69,70,88,89	4	42392403	RES. 39.2K 1% MK-3 50PPM
R 73,74,92	3	42499303	RES. 4.99K 1% MK-3 50PPM
R 75B,76B	2	42178403	RES. 17.8K 1% MK-3 50PPM
R 77,78	2	42274403	RES. 27.4K 1% MK-3 50PPM
R 81,82	2	43100002	RES. 1 OHM 2W 5% W.W.
R 83A,83B,84A,84B,85A,85B,86A,86B	8	42665303	RES. 6.65K 1% MK-3 50PPM
R 90,109	2	42100603	RES. 1 MEG 1% MK-3 50PPM
R 93	1	42200303	RES. 2K MK-3 1% 50PPM
R 94	1	42150103	RES. 15 OHM 1% MK-3 50PPM
R 95	1	43910201	RES. 910Ω ±10% 2W W.W.
R 99,100	2	42215414	RES. 21.5K 1% MK-5 50PPM
R 102	2	42221403	RES. 22.1K 1% MK-3 50PPM
R 103	2	42255403	RES. 25.5K 1% MK-3 50PPM
R 104	2	42221603	RES. 2.21 MEG 1% MK-3 50PPM
R 106,108	4	42301503	RES. 301K 1% MK-3 50PPM
R 111B	2	42154503	RES. 154K 1% MK-3 50PPM
RY RELAYS			
RY 1	1	64101201	RELAY, 24V (SELECTED)
RY 2	2	64101000	RELAY, 12V REED S1P 1200 OHM
SW SWITCHES			
SW 1	1	24200700	SWITCH,PUSH BUTTON,D240
T TRANSFORMERS			
T1	1	60009110	XFR. D240 POWER 120V
U INTEGRATED CIRCUITS			
U 1	2	31001910	TLO72CP
U 2,3	2	31002200	MC34071P
U 4	1	31000801	TIMER MC1455P1
U 5	1	34400401	4N35 PHOTO COUPLER TESTED
ZD ZENER DIODES			
ZD 1,2	2	30500300	IN4740A
ZD 3,4,18	4	30504200	IN5535A
ZD 5,6,7,8	4	31000705	LM329DZ GREEN
ZD 9,10	2	30503500	IN5359 B
ZD 11,12,13,14,15	5	30501800	IN5245B
ZD 16,17	4	30502100	1N5234B