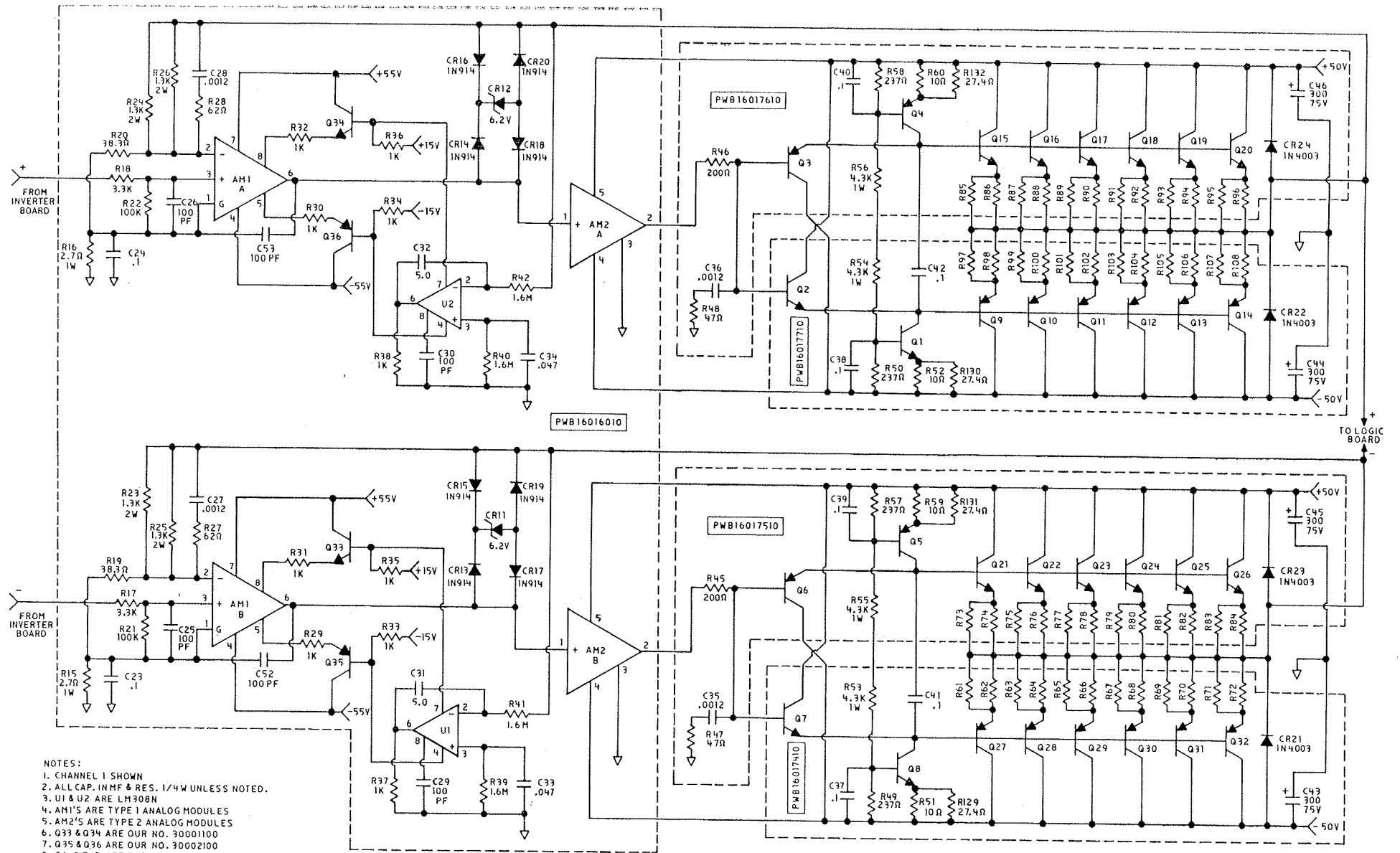


MODEL D-350B POWER
AMPLIFIER SCHEMATIC

audio research
HIGH DEFINITION®

5740 GREEN CIRCLE DRIVE / MINNETONKA, MINNESOTA 55343-4424
PHONE 612/939-0600 FAX 612/939-0604

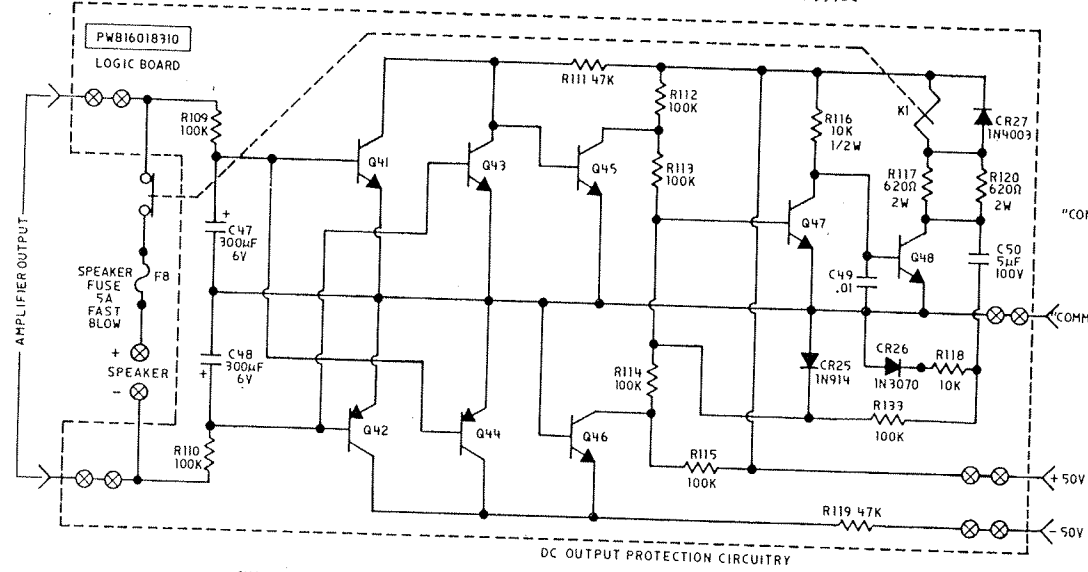
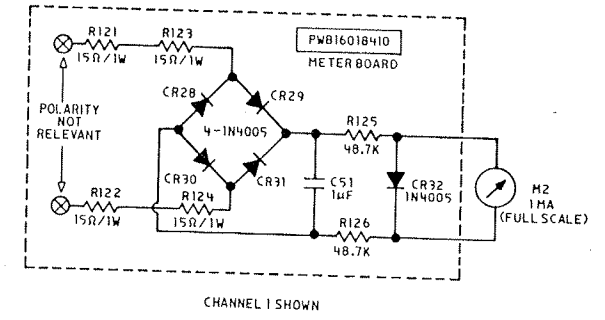
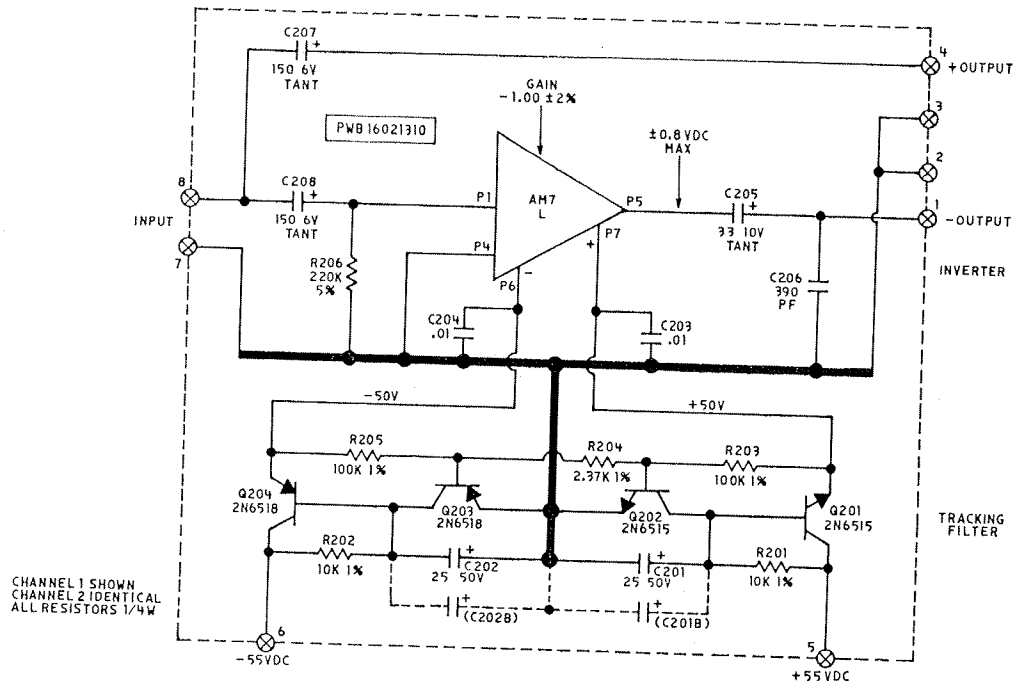


- NOTES:
1. CHANNEL 1 SHOWN
 2. ALL CAP. IN MF & RES. 1/4W UNLESS NOTED.
 3. U1 & U2 ARE LM308N
 4. AM1'S ARE TYPE 1 ANALOG MODULES
 5. AM2'S ARE TYPE 2 ANALOG MODULES
 6. Q33 & Q34 ARE OUR NO. 30001100
 7. Q35 & Q36 ARE OUR NO. 30002100
 8. Q1, 2, 7, 8 ARE OUR NO. 30002400 | MATCHED SET
 9. Q3, 4, 5, 6 ARE OUR NO. 30002500 | SET
 10. Q9-14, 27-32 ARE OUR NO. 30002700 | MATCHED SET
 11. Q15-20, 21-26 ARE OUR NO. 30002600 | SET
 12. R61-R108 1.0R 5% 1W

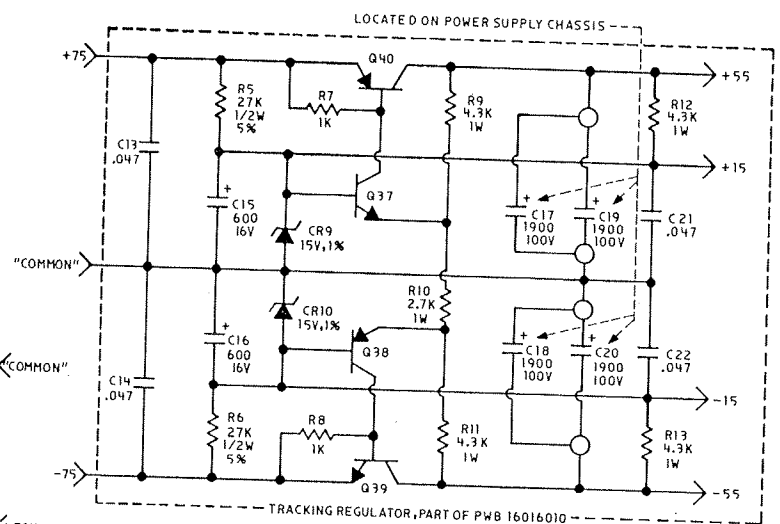
PROPRIETARY NOTICE
 THIS PRINT CONTAINS PATENTED AND/OR OTHER INFORMATION CONSIDERED PROPRIETARY BY AUDIO RESEARCH CORPORATION AND IS FURNISHED ON A CONFIDENTIAL BASIS FOR IDENTIFICATION PURPOSES ONLY.

AUDIO RESEARCH CORPORATION
 MINNEAPOLIS, MINNESOTA

DATE	3-4-80	BY	
REV	28		
FILE	021		
SCHEMATIC		910060-10 A	
D-350B AMPLIFIER			

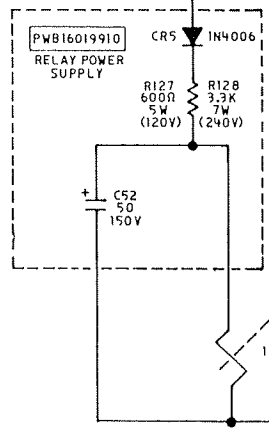
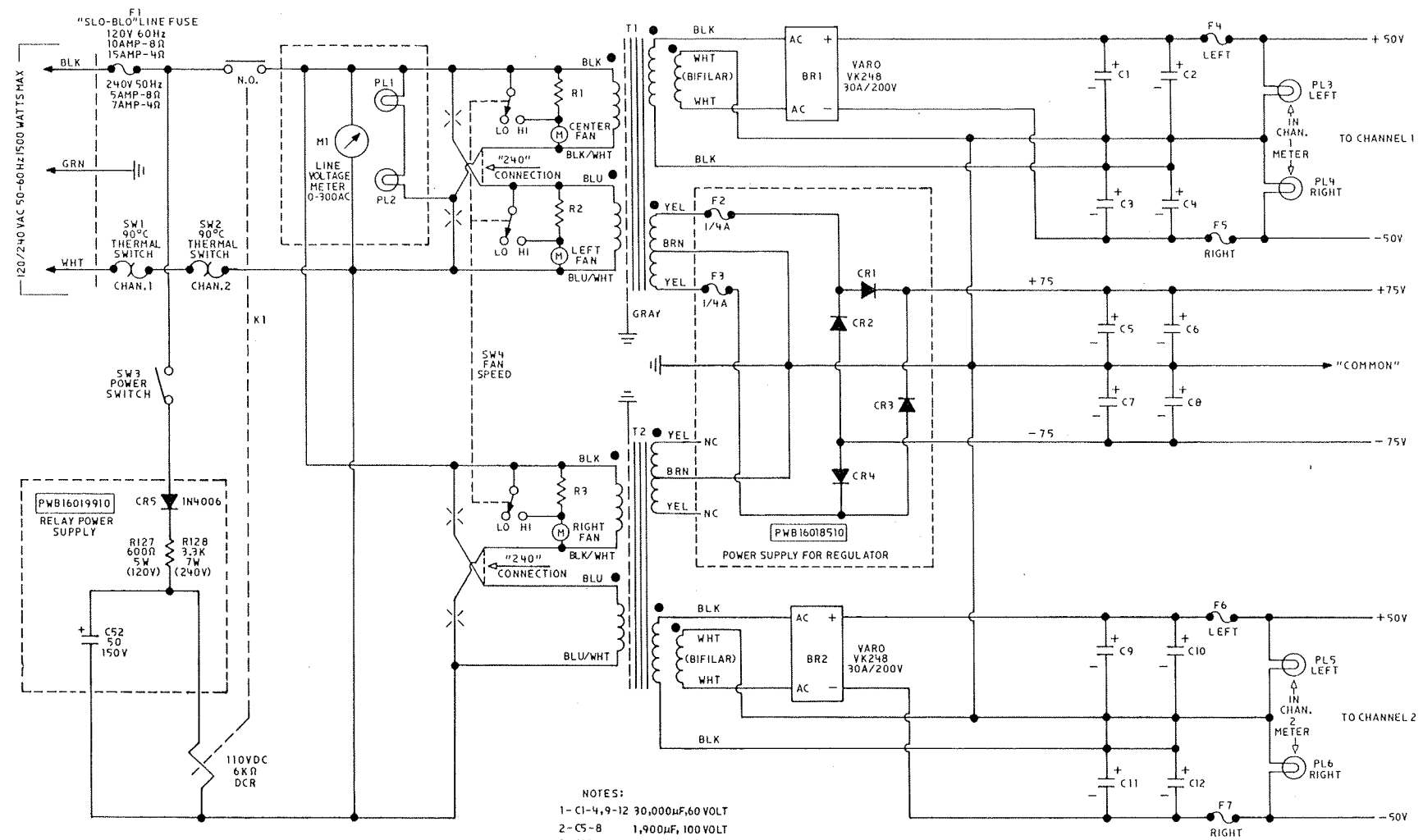


CHANNEL 1 SHOWN. CHANNEL 2 IDENTICAL.
Q41,43,45,46,47 ARE 2N2222
Q42,44 ARE 2N2907
Q48 IS 2N3440
ALL RESISTORS 1/4W UNLESS NOTED.



PROPRIETARY NOTICE
THIS PRINT CONTAINS PATENTED AND/OR OTHER INFORMATION CONSIDERED PROPRIETARY BY AUDIO RESEARCH CORPORATION AND IS FURNISHED ON A CONFIDENTIAL BASIS FOR IDENTIFICATION PURPOSES ONLY.

AUDIO RESEARCH CORPORATION MINNEAPOLIS, MINNESOTA	
SCALE	DATE
3-4-80	
REV	
1/1	
SCHEMATICS D-350B METER & LOGIC BOARDS, INVERTER, TRACKING REGULATOR	
910061-10 A	



TRANSFORMER PRIMARY WIRING

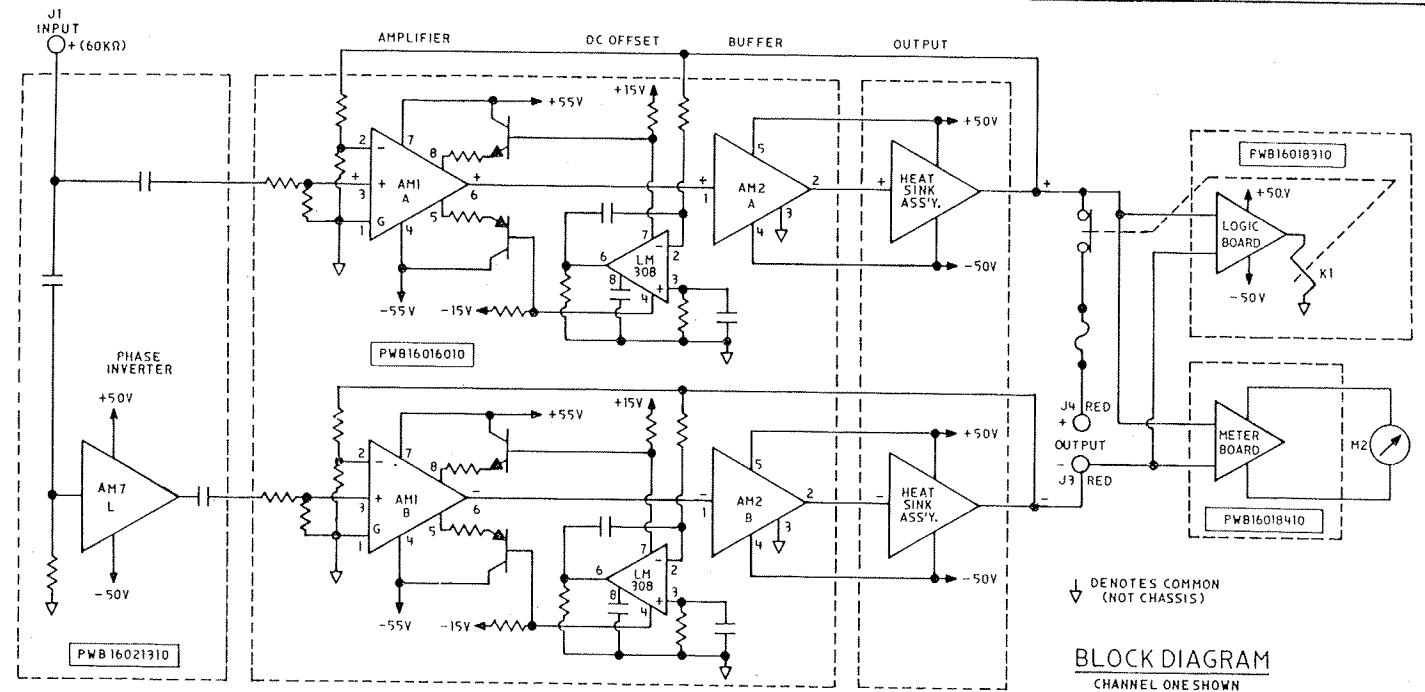
VOLTAGE	LEAD CONNECTIONS
120 VAC	BLU TO BLK, BLK/WHT TO BLU/WHT
240 VAC	BLK/WHT TO BLU, CHANGE R127 TO R128

(120 VAC WIRING SHOWN)

- NOTES:
- 1- C1-4, 9-12 30,000μF, 60 VOLT
 - 2- C5-8 1,900μF, 100 VOLT
 - 3- CR1-4 1N4005 1A/600V
 - 4- R1, 2, 3 400Ω, 5W
 - 5- F1 120V 60 Hz 10A SLO-BLO 8R
15A SLO-BLO 4R
240V 50 Hz 5A SLO-BLO 8R
7A SLO-BLO 4R
 - 6- PL1-6 #1835 55V, 0.5A LAMP
 - 7- F2, 3 250MA PIGTAIL SLO-BLO
 - 8- F4-7 5A NORMAL BLOW 16R
8A NORMAL BLOW 8R
10A NORMAL BLOW 4R

PROPRIETARY NOTICE
 THIS PRINT CONTAINS PATENTED AND/OR OTHER INFORMATION CONSIDERED PROPRIETARY BY AUDIO RESEARCH CORPORATION AND IS FURNISHED ON A CONFIDENTIAL BASIS FOR IDENTIFICATION PURPOSES ONLY.

AUDIO RESEARCH CORPORATION MINNEAPOLIS, MINNESOTA	
DATE	3-4-80
BY	<i>[Signature]</i>
FOR	<i>[Signature]</i>
SCHEMATIC	910062-10A
D-3500 POWER SUPPLY	



PROPRIETARY NOTICE
THIS PRINT CONTAINS PATENTED AND/OR OTHER INFORMATION CONSIDERED PROPRIETARY BY AUDIO RESEARCH CORPORATION AND IS FURNISHED ON A CONFIDENTIAL BASIS FOR IDENTIFICATION PURPOSES ONLY.

AUDIO RESEARCH CORPORATION MINNEAPOLIS, MINNESOTA			
DATE	3-4-80	BY	
CHKD		APP	
DATE		BY	
DATE		BY	
BLOCK DIAGRAM D-3508		910063-10A	