

D-70 POWER AMPLIFIER
SCHEMATIC & PARTS LIST

Rev. C
2/2/84

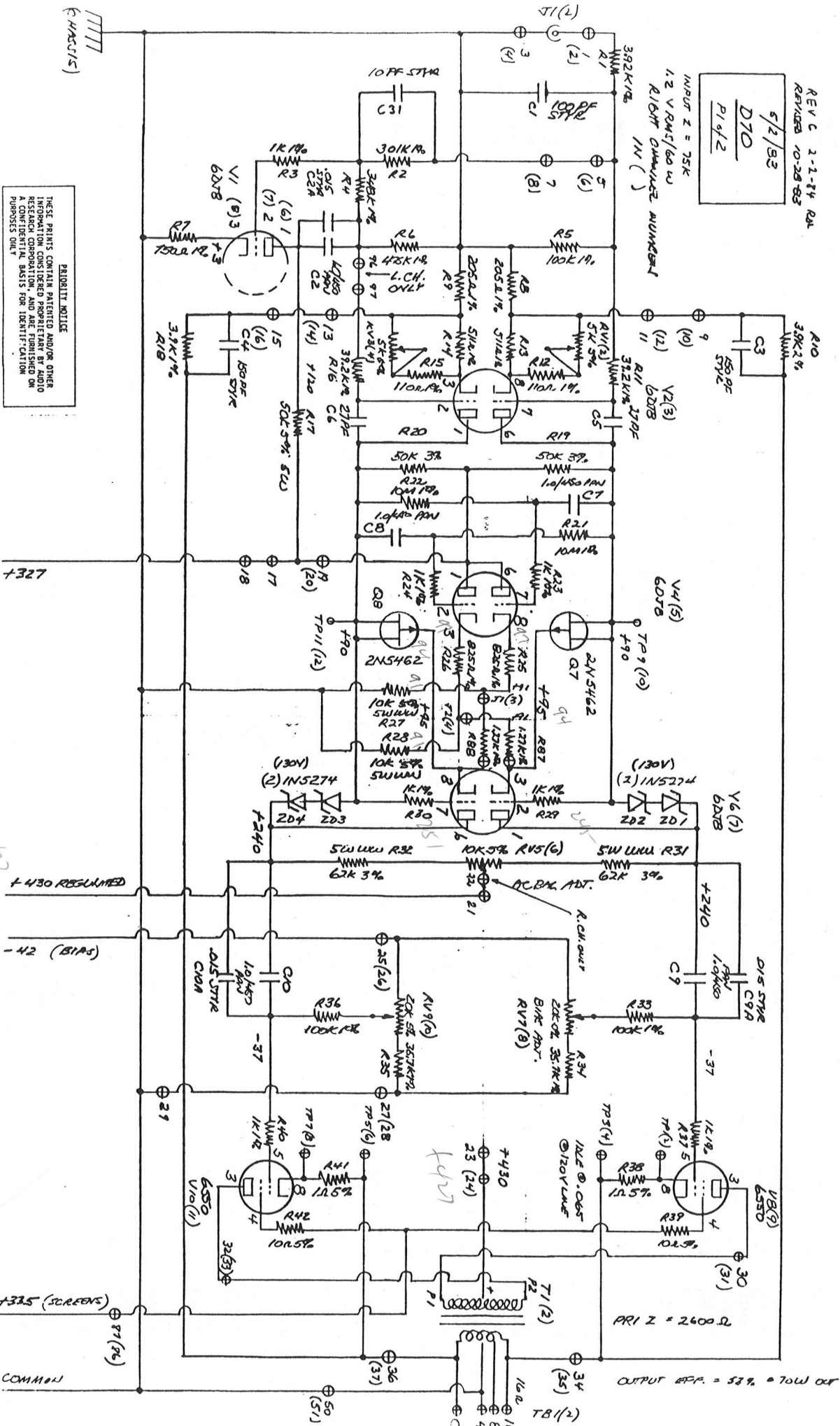
audio research corporation

6801 SHINGLE CREEK PARKWAY
MINNEAPOLIS, MINNESOTA 55430

REV C 2-2-84 RA
 REVISED 10-28-83

5/2/83
 D70
 P1 of 2

INPUT Z = 75K
 1.2 V RMS/60 W
 R/L/B/T CHANNELS NUMBERS
 IN ()

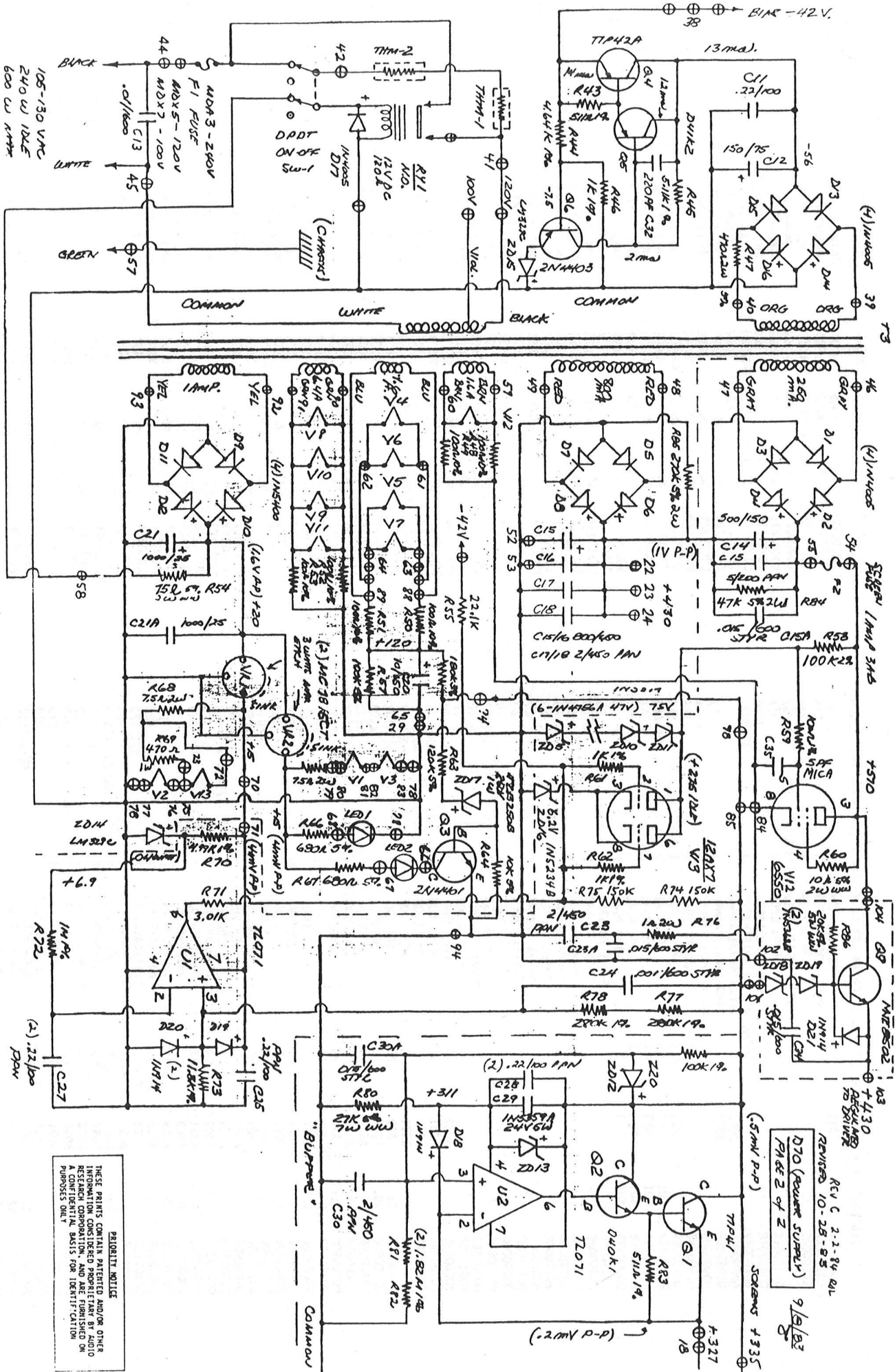


PRIORITY NOTICE
 THESE PRINTS CONTAIN PATENTED AND/OR OTHER
 INFORMATION CONSIDERED PROPRIETARY BY AUDIO
 RESEARCH CORPORATION, AND ARE FURNISHED ON
 A CONFIDENTIAL BASIS FOR IDENTIFICATION
 PURPOSES ONLY.

F427

F333

OUTPUT EFF. = 52% @ 70W OUT



THESE PRINTS CONTAIN PATENTED AND/OR OTHER INFORMATION CONSIDERED PROPRIETARY BY AUDIO RESEARCH CORPORATION, AND ARE FURNISHED ON A CONFIDENTIAL BASIS FOR IDENTIFICATION PURPOSES ONLY.

REV C 2-2-84 0L
 REVISED 10-25-83
 Q70 (REUSE SUPPLY)
 PAGE 2 OF 2
 9/19/83
 SCHEMATIC 7335

D-70 PARTS LIST

COMPONENT	QUAN.	DESCRIPTION	VALUE	RATING	TOL.	ARC PART NO.
R1	2	Metal Film	3.92K	1/2W	1%	42392303
R2	2	Metal Film	301K	1/4W	1%	42301502
R3,23,24,29,30,37, 40,46,61,62	17	Metal Film	1.0K	1/4W	1%	42100302
R4	2	Metal Film	348K	1/4W	1%	42348802
R5	2	Metal Film	100K	1/2W	1%	42100503
R6	2	Metal Film	475K	1/2W	1%	42475503
R7	2	Metal Film	750	1/4W	1%	42750202
R8,9	4	Metal Film	1.5K	1/2W	1%	42150302
R10,18	4	Metal Film	205	1/2W	2%	42205203
R11,16	4	Metal Film	39.2K	1/4W	1%	42392403
R12,15	4	Metal Film	110	1/4W	1%	42110202
R13,14	4	Metal Film	511	1/4W	1%	42150303
R17,19,20	6	Metal Film	1.5K	1/2W	1%	42110202
R21,22	4	Metal Film	50K	5M	3%	43500400
R25,26	4	Metal Film	100K	3/4W	1%	42100504
R27,28	4	Metal Film	10M ϵ g	1/2W	2%	46100702
R31,32	4	Metal Film	375	3M	1%	42825203
R33,36,79	5	Metal Film	10K	5M	5%	43375200
R34,35	4	Metal Film	5.11K	1/4W	1%	43100400
R38,41,76	5	Metal Film	1.0	2W	5%	42511202
R39,42,60	5	Metal Film	10	2W	1%	42511202
R43,83	2	Metal Film	511	1/4W	1%	42511202
R44	1	Metal Film	4.64K	1/4W	1%	4264302
R45	1	Metal Film	5.11K	1/4W	1%	4264302
R47	1	Carbon Comp.	470	2W	10%	40470205
R48-53	6	Carbon Comp.	100	1/2W	10%	40100203
R54	1	Wirewound	75	W ϵ	5%	43750101
R55	1	Metal Film	22.1K	1/2W	1%	42221403
R56	1	Carbon Comp.	180K	1W	5%	41180504
R57	1	Carbon Comp.	100K	1/2W	5%	41100503
R58	1	Metal Film	100K	2W	2%	46100501
R59	1	Metal Film	100	1/4W	1%	42100202
R63	1	Carbon Comp.	120K	1/2W	5%	41120503
R64	1	Carbon Comp.	10K	2W	5%	41100403
R65,68	2	Wirewound	7.5	2W	5%	43750001
R66,67	2	Carbon Comp.	680	1W	5%	40680204
R69	1	Carbon Comp.	470	1W	10%	40470204
R70	1	Metal Film	4.99K	1/4W	1%	42499302
R71	1	Metal Film	3.01K	1/4W	1%	42301302
R72	1	Metal Film	1.0M ϵ g	1/4W	1%	42100602
R73	1	Metal Film	11.8K	1/4W	1%	42118402
R74,75	2	Metal Film	150K	1/2W	1%	42150503
R77,78	2	Metal Film	280K	1/2W	1%	42280503
R80	1	Wirewound	27K	7W	3%	43270401
R81,82	2	Metal Film	1.82M ϵ g	1/2W	1%	42182603
R84	1	Carbon Comp.	47K	2W	5%	41470405
R85	1	Carbon Comp.	270K	2W	5%	41270505
R86	1	Wirewound	20K	5W	5%	43200400
R87,88	4	Metal Film	1.27K	1/4W	1%	42127302
C1	2	Polystyrene	100pF	630V	5%	53100201
C2,7,8-10	10	Polystyrene	1.0uF	450V	10%	53100800
C2A,(A,10A,15A,19A, 23A,30A,34	11	Polystyrene	.015uF	630V	5%	53150404

D-70 PARTS LIST

COMPONENT	QUAN.	DESCRIPTION	VALUE	RATING	TOL.	ARC PART NO.
C3,4	4	Polystyrene	150pF	160V	2.5%	53150200
C5,6	4	Polystyrene	27pF	630V	2%	53270000
C11,25-29	6	Polystyrene	.22uF	100V	10%	53220506
C12	1	Electrolytic	150uF	75V	10%	50150800
C13	1	Electrolytic	.01uF	1600V	10%	53100403
C14	1	Electrolytic	530uF	150V	10%	50530800
C15	1	Met.Polyprop.	5.0uF	200V	10%	53500604
C16,17	2	Electrolytic	800uF	450V	10%	50100907
C18,19,23,30	4	Met.Polyprop.	2.0uF	450V	10%	53200602
C20	4	Electrolytic	10uF	150V	10%	50100703
C21,21A	2	Electrolytic	1000uF	25V	5%	50100903
C24	2	Polystyrene	1000pF	630V	5%	53100301
C31	2	Polystyrene	10pF	630V	5%	53100100
C32	1	Polystyrene	5pF	630V	10%	53500000
C35	1	Polystyrene	220pF	500V	2.5%	53220200
D1-4,13-16,17	9	Sliver Mica	5pF	500V	10%	57500000
D5-8	4	1N4005	1A	600V	50%	30500400
D9-12	4	1N4143	3A	600V	50%	30503300
D18-21	4	1N914	3A	50V	50%	30501500
Z01-4	4	1N5274B	1/2W	100V	5%	30500900
Z05-10	8	1N4756A	1W	130V	5%	30503800
Z011	6	1N5374	1W	47V	5%	30503200
Z012	1	Z20	5W	75V	10%	30502900
Z013	1	1N5359A	1W	20V	10%	30503700
Z014,15	2	1N5290Z	5W	24V	10%	30503500
Z016	2	1N5234B	1/2W	6.9V	4%	31000700
Z017	1	T2B2508	5W	6.2V	5%	30502100
Z018,19	1	1N5368B	5W	250V	5%	30503600
F1 240V	2	MDX5 S10	5W	47V	5%	30500100
F2 100V	1	MDA3 S10	5A	125V	5%	34500505
J1-2	1	MDX7 S10	3A	250V	5%	34500402
J3,4	2	3A81 Fast	7A	125V	5%	34500703
LED1,2	2	Phono Jack	1A	250V	5%	34500304
LED1,2	2	Speaker Term.				23201000
LED1,2	2	LED green.				23100100
IP41 Trans	1	IP41 Trans				34300100
D40K1 Trans	1	D40K1 Trans				30005000
2N4401 Trans	1	2N4401 Trans				30005200
TIP42A Trans	1	TIP42A Trans				30002800
D41K2 Trans	1	D41K2 Trans				30005101
2N4403 Trans	1	2N4403 Trans				30005301
2N5462 FET	1	2N5462 FET				30002900
MJE8502 Trans	4	MJE8502 Trans				30005900
Trim Pot	4	Trim Pot	5K	120V	10%	30005700
Trim Pot	2	Trim Pot	20K	120V	10%	45500300
Trim Pot	2	Trim Pot	10K	120V	10%	45200412
Trim Pot	4	Trim Pot	20	120V	10%	45100424
30A Relay	1	30A Relay	120	12V		45200412
DPDT Switch	1	DPDT Switch	6A			64100080
Output Transformer	1	Output Transformer				24100900
Power Transformer	1	Power Transformer				60005600
Power Transformer	1	Power Transformer				60005810
Thermistor (2 for 240V)	2	Thermistor (2 for 240V)				60005809
TILO71P Op Amp	1	TILO71P Op Amp				47000400
6D08 Tube	2	6D08 Tube				31001900
6550 Matched Pair	2	6550 Matched Pair				32001100
6550 Tube	1	6550 Tube				32000502
EC83/12AX7 Tube	1	EC83/12AX7 Tube				32000501
MC/815CT Reg	1	MC/815CT Reg	1A	15V		32000700
V1,2	1	THM-1,2				31002000
V1-7	7	V1-7				
V8-11	4	V8-11				
V12	1	V12				
V13	1	V13				
VRL,2	2	VRL,2				

NOTE: Resistor values are in "ohms" except "K" = x 1,000; "Meg" = x 1,000,000