

D70 MKII MODIFICATION INSTRUCTIONS

8/17/84

audio research corporation

6801 SHINGLE CREEK PARKWAY
MINNEAPOLIS, MINNESOTA 55430

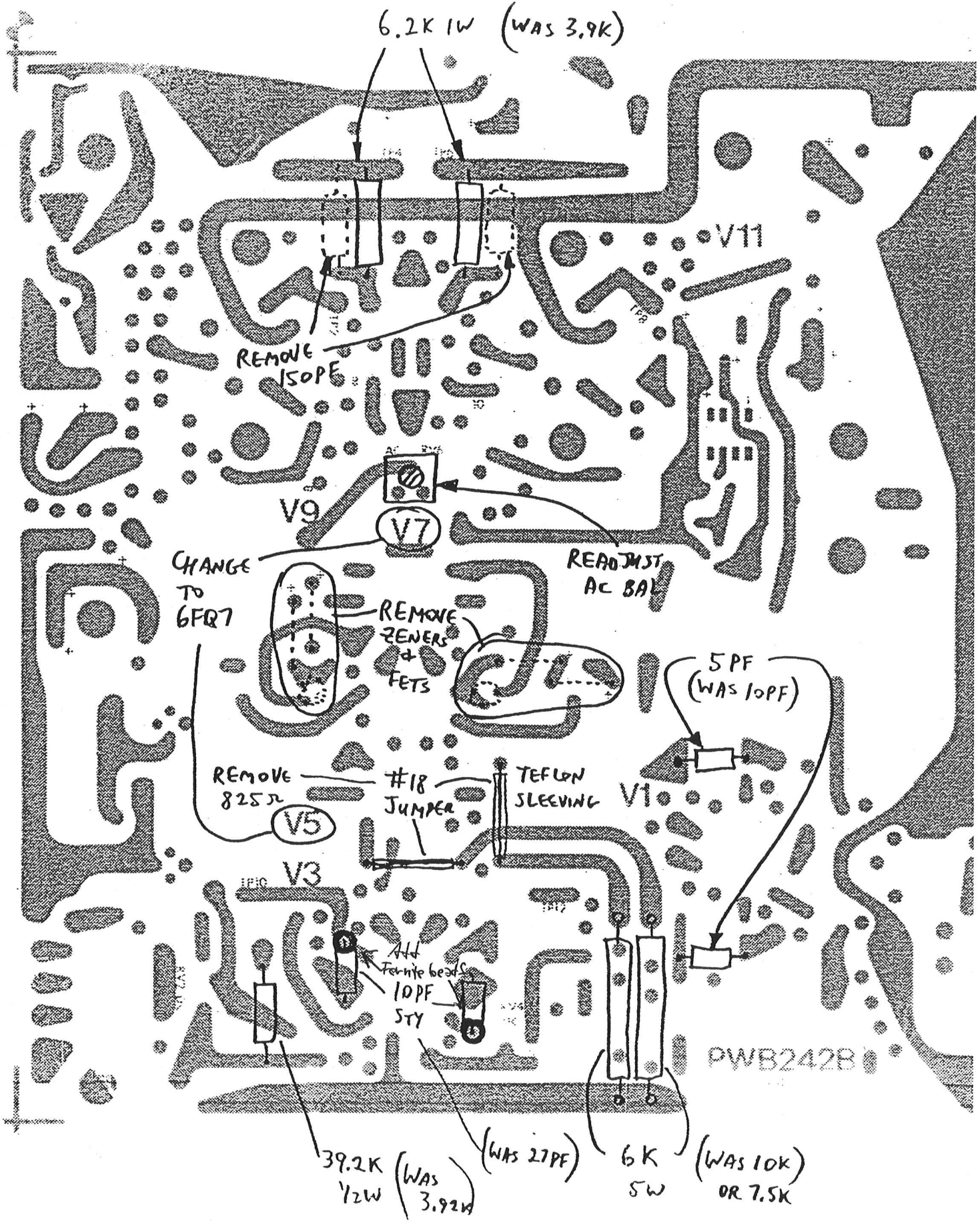
D70 MKII MODIFICATION PARTS LIST

PARTS ADDED:

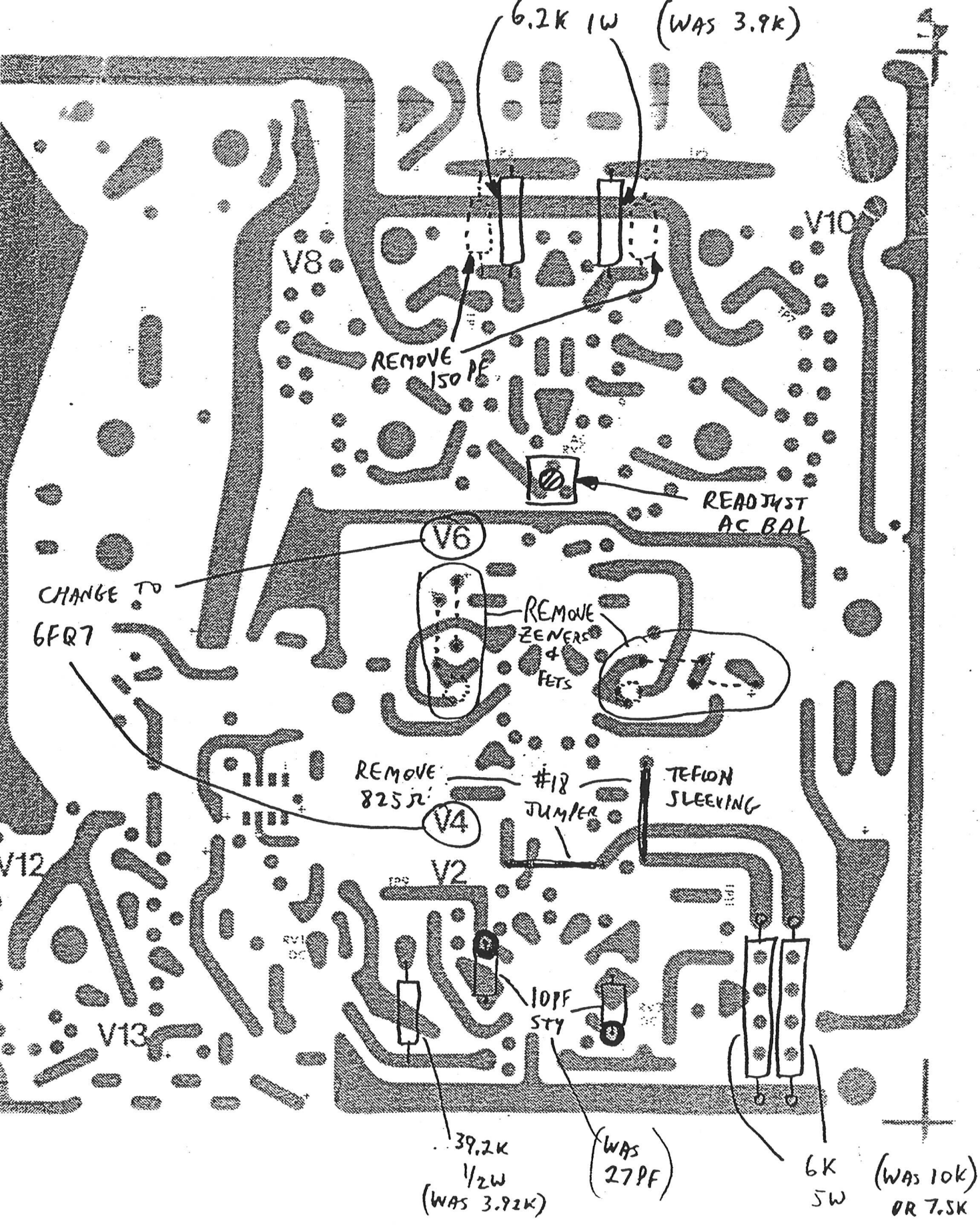
- 4 - PN32000201 6FQ7 Vacuum tubes
- 2 - PN42392403 39.2K ohm MK3 Resista resistors
- 4 - PN43600300 6K ohm 5W 5% WW resistors
- 4 - ~~PN46620301~~ 6.2K ohm 1W 2% resistors *sub 42619314 6.19K MK5*
- 2 - PN53500001 5pF Styrene 630V capacitors
- 4 - PN53100101 10pF Styrene 630V capacitors
- 1 - PN06190000 4" - #18 Audio wire
- 1 - PN06601710 2.5" - #18 Teflon sleeving
- 3 - PN00003700 Feet Audio Solder

PARTS DELETED:

- 4 - PN48825203 825 ohm 1% 1/2W resistors
- 2 - PN53100100 10pF Styrene capacitors
- 4 - PN53150200 150pF Styrene capacitors
- 4 - PN53270100 27pF Styrene capacitors
- 4 - PN30005900 2N5462 FET's
- 8 - PN30503800 1N5274B 130V Zener diodes
- 4 - PN32001100 6DJ8 Vacuum tubes
- 4 - PN48127302 1.27K ohm 1% 1/4W resistors
- 2 - PN48392303 3.92K ohm 1% 1/2W resistors
- 4 - PN43750300 7.5K ohm 5% 5W WW resistors
- 4 - PN46390301 3.9K ohm 2% 1W resistors



8/17/84
RSL



6.2K 1W (WAS 3.9K)

V8

V10

REMOVE
150 PF

ADJUST
AC BAL

V6

CHANGE TO
6FR7

REMOVE
ZENERS
&
FETS

REMOVE
825R

#18
JUMPER

TEFLON
SLEEVING

V4

V2

V12

V13

10PF
STY

39.2K
1/2W
(WAS 3.92K)

(WAS
27PF)

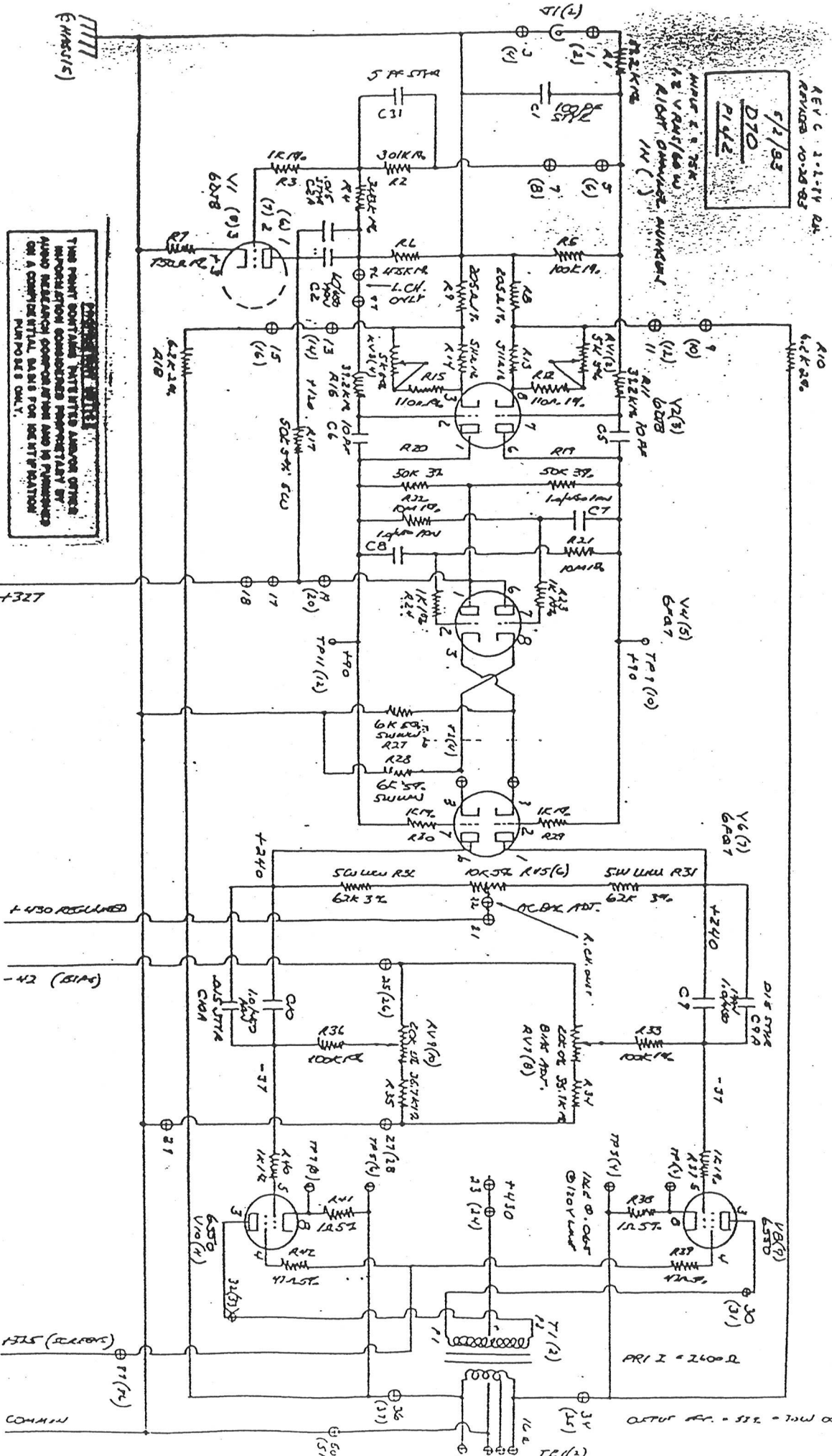
6K
5W (WAS 10K
OR 7.5K)

HW II 6/1/64 J

REV C 2-2-64 AM
RHYLOS 10-25-63

6/2/63
D10
P142

WAVE 2.5 SEC
12 V (R/L) W
RIGHT CHANNEL AMPLIFIER
IN ()



THIS POINT POINT AND TEST POINTS ARE NOT OTHER INFORMATION CONSIDERED NECESSARY BY ALSO RELATION OPERATIONS AND IS PROVIDED ON A CONFIDENTIAL BASIS FOR REPRODUCTION PURPOSES ONLY.