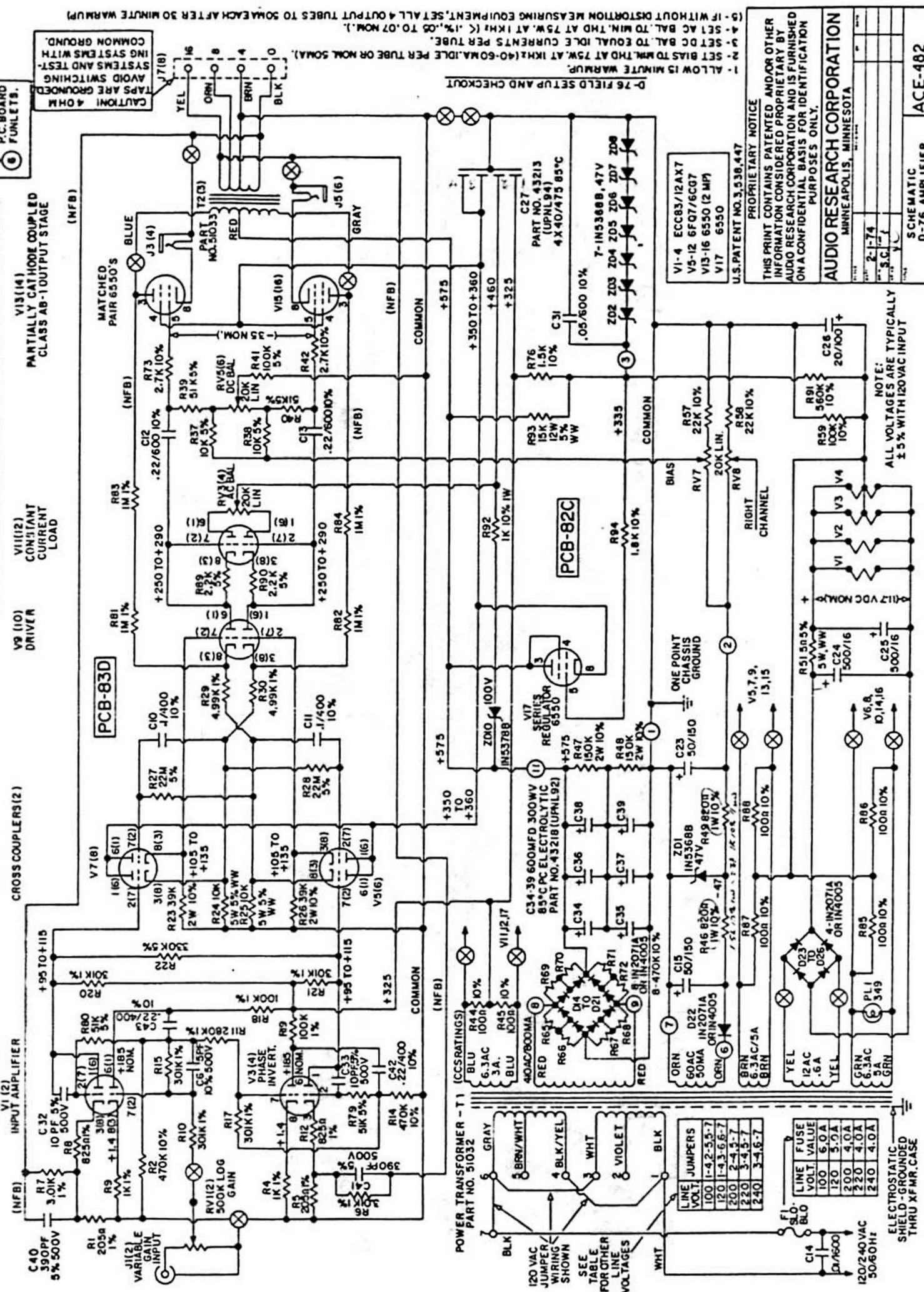


ALL RESISTORS 1/2 WATT AND ALL CAPACITORS IN MF EXCEPT AS NOTED.

LEFT CHANNEL SHOWN (RIGHT CHANNEL TUBE PINS, WHERE DIFFERENT, ARE IN PARENTHESIS)



VI (10) DRIVER
VIII(12) CONSTANT CURRENT LOAD
V9 (10) DRIVER
CROSS COUPLERS(2)
V7 (8)
V13(14) PARTIALLY CATHODE COUPLED CLASS AB-1 OUTPUT STAGE
MATCHED PAIR 6550'S
VI (12) INPUT AMPLIFIER
CROSS COUPLERS(2)
V1 (2)
VARIABLE GAIN INPUT
PHASE INVERT.
V3(4)
V5(6)
V7(8)
V9(10)
V11(12)
V13(14)
V15(16)
V17(18)

⊗ DENOTES P.C. BOARD FUNNELS.
⊙ DENOTES COMMON GROUND.
CAUTION! 4 OHM TAPS ARE GROUNDED TO AVOID SWITCHING SYSTEMS AND TESTING SYSTEMS WITH COMMON GROUND.

POWER TRANSFORMER - T1 (CCSRATINGS)
PART NO. 51032
120 VAC JUMPER WIRING SHOWN
SEE TABLE FOR OTHER LINE VOLTAGES
WHT
BLK
GRY
BLU
BRN
WHT
VIOLET
BLK/YEL
GRY
WHT
BLK

LINE JUMPERS
VOLT
100 1-4 2-5-7
120 1-4 3-6-7
200 2-4 5-7
220 3-4 5-7
240 3-4 5-7

FUSE TABLE
LINE FUSE VALUE
100 5.0A
120 5.0A
200 4.0A
220 4.0A
240 4.0A

NOTE: ALL VOLTAGES ARE TYPICALLY ±5% WITH 120VAC INPUT

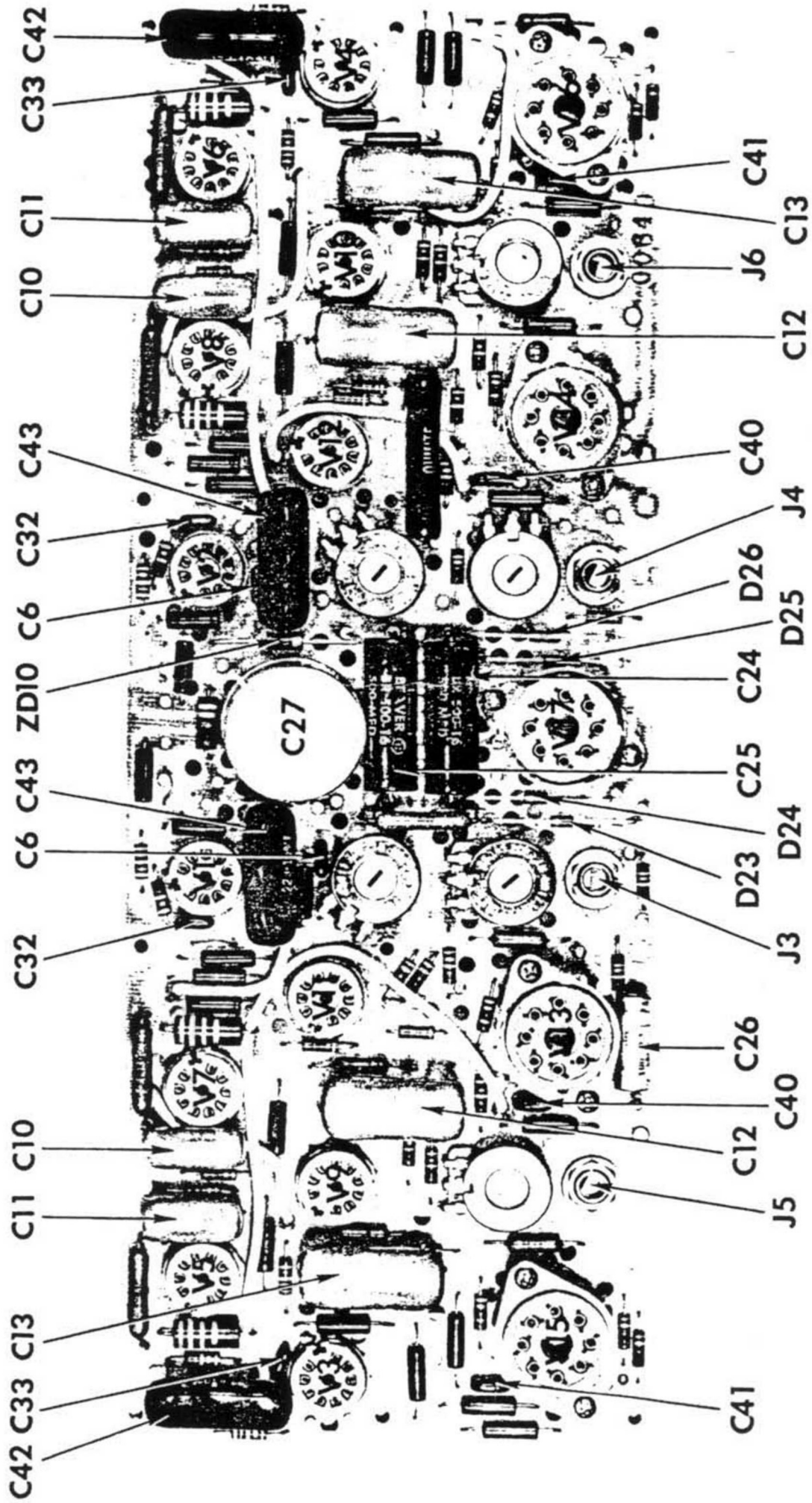
ELECTROSTATIC SHIELD-GROUNDED THRU XFR. CASE

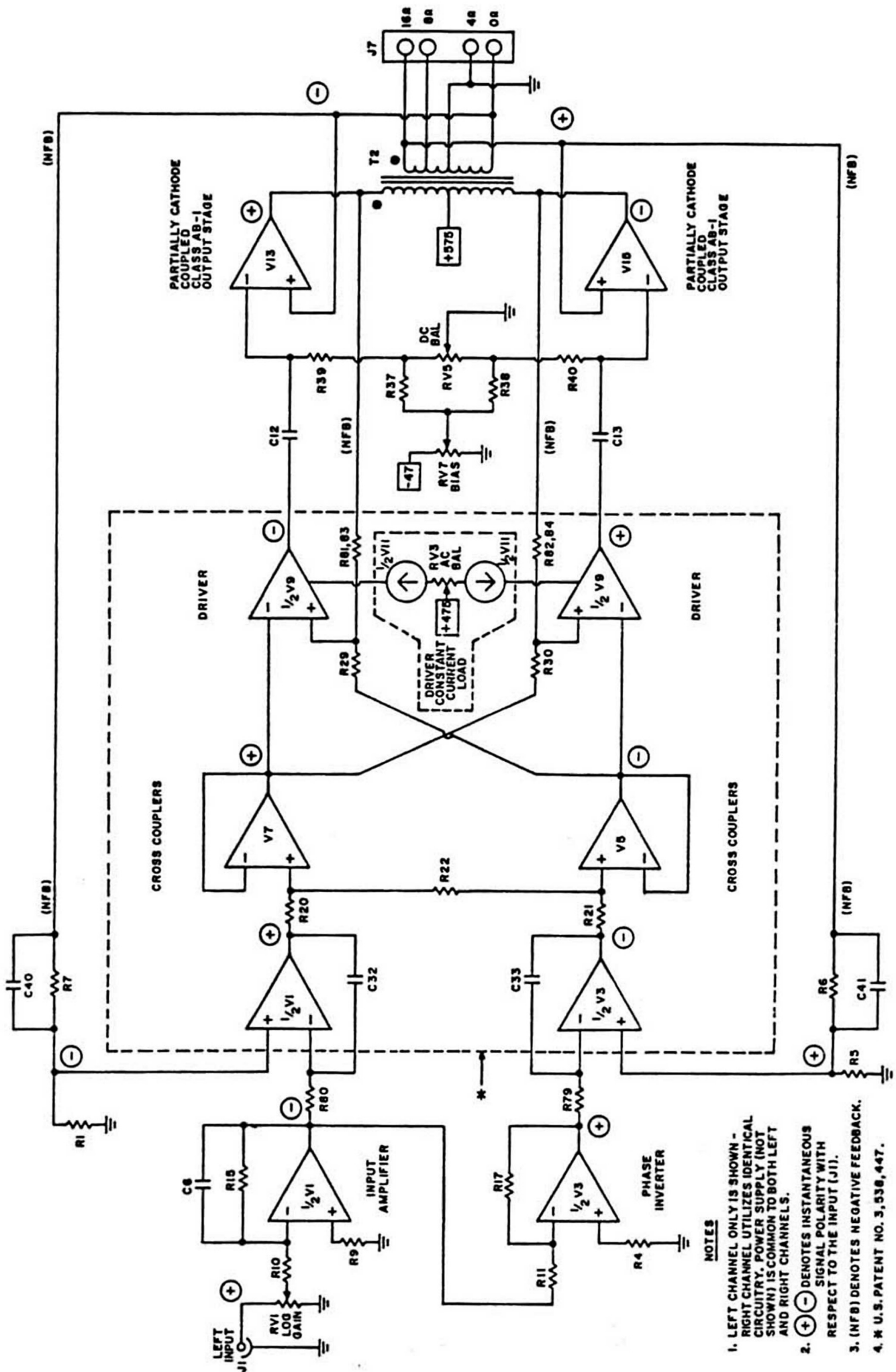
1. ALLOW 15 MINUTE WARMUP
2. SET BIAS TO 0V. THD AT 75W. AT 1KHZ. (1% TO 0.07 NOM.)
3. SET AC BAL. TO EQUAL IDEAL CURRENTS PER TUBE.
4. SET DC BAL. TO EQUAL IDEAL CURRENTS PER TUBE OR NOM. 50MA.
5. IF WITHOUT DISTORTION MEASURING EQUIPMENT, SET ALL 4 OUTPUT TUBES TO 50MA EACH AFTER 30 MINUTE WARMUP

D-76 FIELD SETUP AND CHECKOUT

U.S. PATENT NO. 3,538,447
PROPRIETARY NOTICE
THIS PRINT CONTAINS PATENTED AND/OR OTHER INFORMATION CONSIDERED PROPRIETARY BY AUDIO RESEARCH CORPORATION AND IS FURNISHED ON A CONFIDENTIAL BASIS FOR IDENTIFICATION PURPOSES ONLY.
AUDIO RESEARCH CORPORATION
MINNEAPOLIS, MINNESOTA

SCHEMATIC ACE-482
D-76 AMPLIFIER

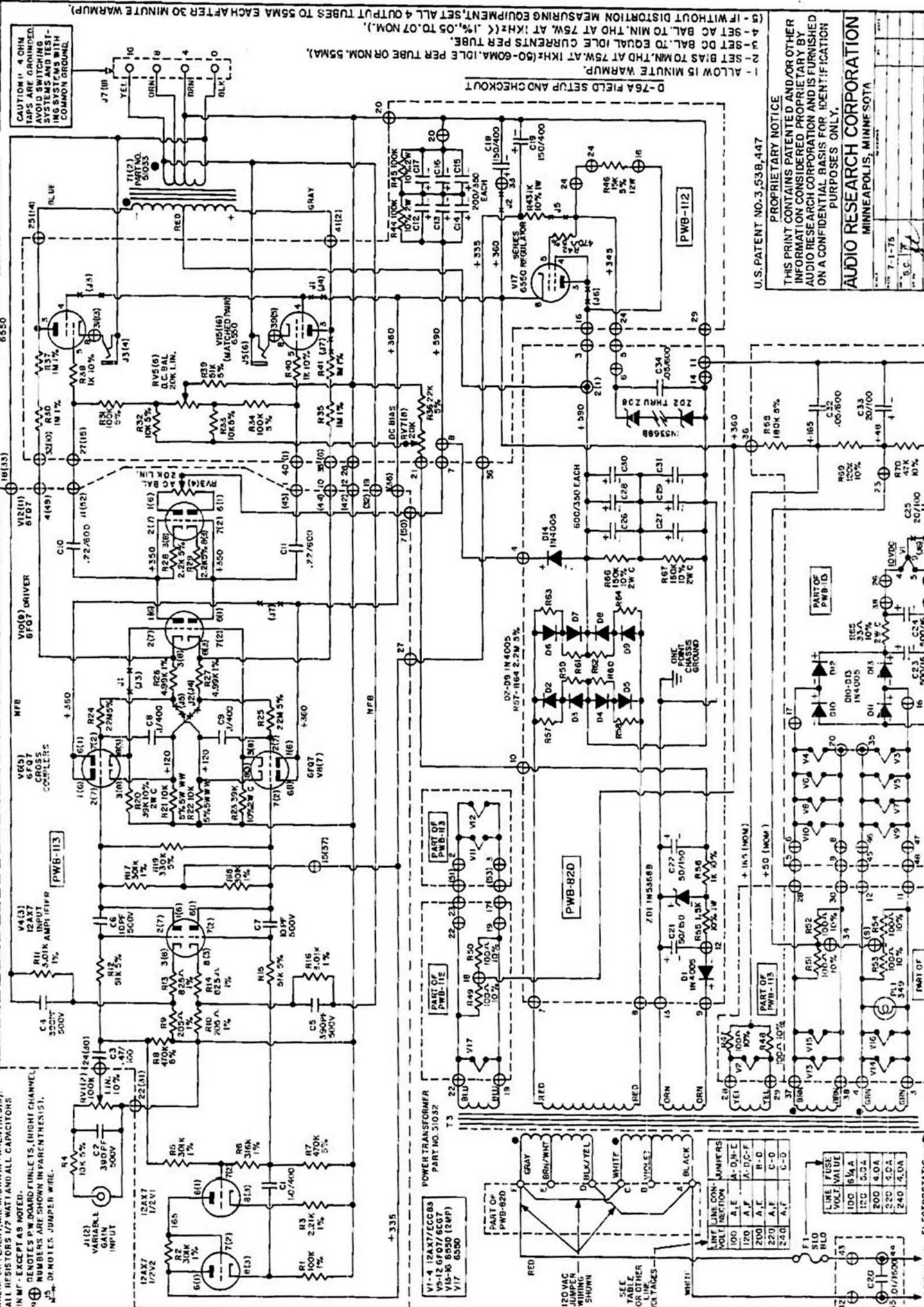




NOTES

1. LEFT CHANNEL ONLY IS SHOWN - RIGHT CHANNEL UTILIZES IDENTICAL CIRCUITRY. POWER SUPPLY (NOT SHOWN) IS COMMON TO BOTH LEFT AND RIGHT CHANNELS.
2. (+) (-) DENOTES INSTANTANEOUS SIGNAL POLARITY WITH RESPECT TO THE INPUT (J1).
3. (NFB) DENOTES NEGATIVE FEEDBACK.
4. * U.S. PATENT NO. 3,538,447.

D-76 SIMPLIFIED SCHEMATIC



CAUTION: 4 OHM TAPS ARE GROUND. AVOID SWITCHING THE SYSTEM WITH COMMON GROUND.

IF WITHOUT DISTORTION MEASURING EQUIPMENT, SET ALL 4 OUTPUT TUBES TO 55MA EACH AFTER 30 MINUTE WARMUP.

1- SET BIAS TO 55MA, THD AT 75W, AT 1KHZ (50-60MA, IDLE PER TUBE OR NOM. 55MA).

2- SET DC BAL. TO EQUAL IDLE CURRENTS PER TUBE.

3- SET AC BAL. TO MIN. THD AT 75W, AT 1KHZ (< 1%, 0.5 TO 0.7 NOM.).

4- ALLOW 5 MINUTE WARMUP.

D-76A FIELD SETUP AND CHECKOUT

U.S. PATENT NO. 3,538,447

PROPRIETARY NOTICE
THIS PRINT CONTAINS PATENTED AND/OR OTHER INFORMATION CONSIDERED PROPRIETARY BY AUDIO RESEARCH CORPORATION AND IS FURNISHED ON A CONFIDENTIAL BASIS FOR IDENTIFICATION PURPOSES ONLY.

AUDIO RESEARCH CORPORATION
MINNEAPOLIS, MINN. 55412

DATE: 7-1-75
S.C. 17

SCHEMATIC
D-76A AMPLIFIER

910005-00 A

120 VAC JUMPER WIRING SHOWN

SEE TABLE FOR TUBE PIN TAGS

ELECTROSTATIC DISCHARGE PROTECTIVE THROUGH CASE

200-40WAC 50/60 Hz

LINE FUSE VOLT VALUE

100	150A
120	150A
200	4.0A
220	3.0A
240	4.0A

LINE LINE CONNECTION

100	A-E	A-DH-E
120	A-F	A-D-C-F
200	A-E	B-D
220	A-F	C-D
240	A-F	C-D