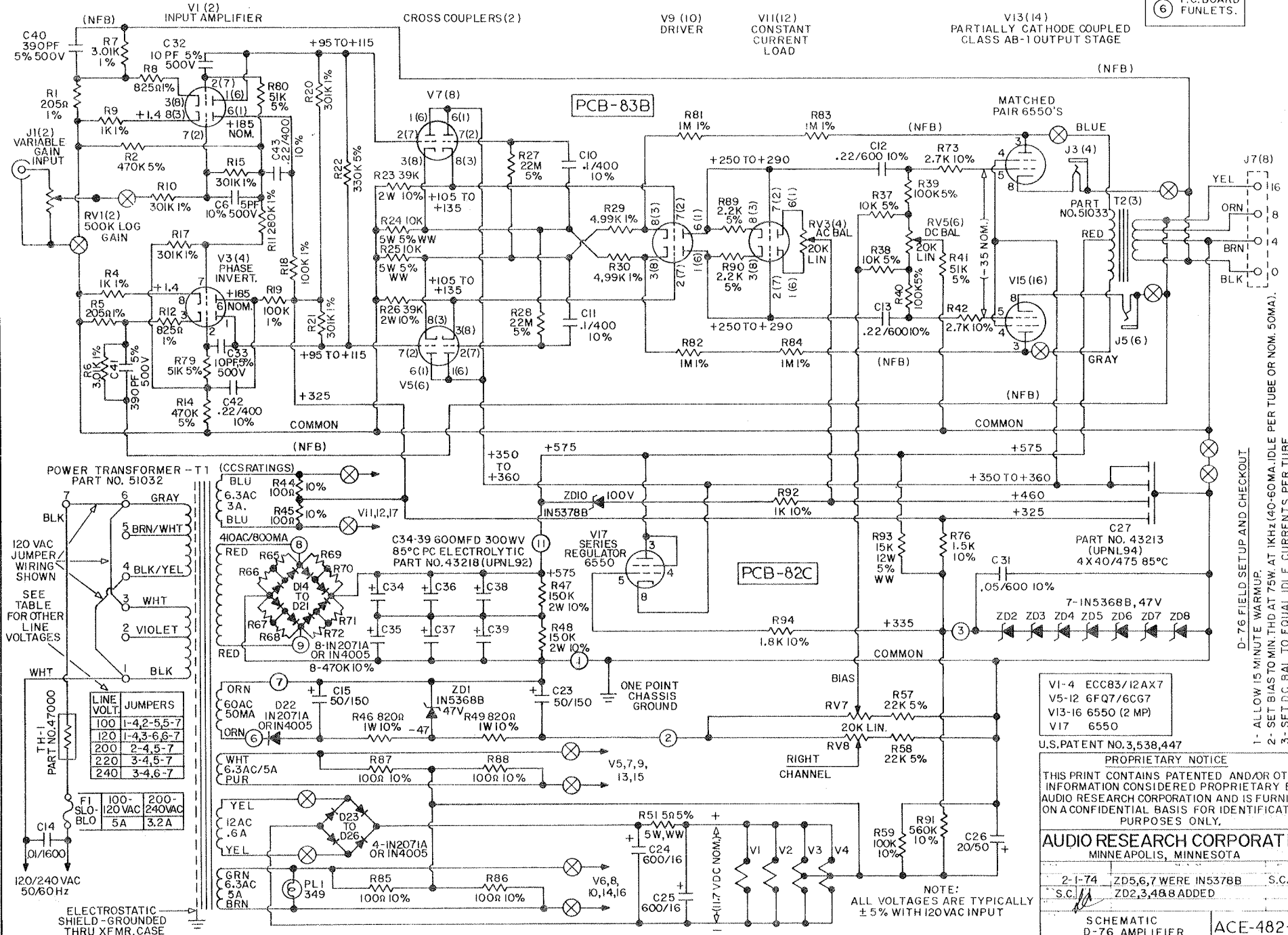


LEFT CHANNEL SHOWN (RIGHT CHANNEL TUBE PINS, WHERE DIFFERENT, ARE IN PARENTHESIS)

ALL RESISTORS 1/2 WATT AND ALL CAPACITORS IN MF EXCEPT AS NOTED.

⊗ DENOTES P.C. BOARD FUNLETS.
⑥



POWER TRANSFORMER - T1
PART NO. 51032

120 VAC JUMPER WIRING SHOWN

SEE TABLE FOR OTHER LINE VOLTAGES

LINE VOLT	JUMPERS
100	1-4, 2-5, 5-7
120	1-4, 3-6, 6-7
200	2-4, 5-7
220	3-4, 5-7
240	3-4, 6-7

TH-1 NO. 47000

F1 SLO-BLO	100-5A	200-3.2A
120 VAC	5A	3.2A
240 VAC		

120/240 VAC 50/60 Hz

ELECTROSTATIC SHIELD - GROUNDED THRU XFMR. CASE

V1-4 ECC83/12AX7
V5-12 6FQ7/6CG7
V13-16 6550 (2 MP)
V17 6550

U.S. PATENT NO. 3,538,447

PROPRIETARY NOTICE
THIS PRINT CONTAINS PATENTED AND/OR OTHER INFORMATION CONSIDERED PROPRIETARY BY AUDIO RESEARCH CORPORATION AND IS FURNISHED ON A CONFIDENTIAL BASIS FOR IDENTIFICATION PURPOSES ONLY.

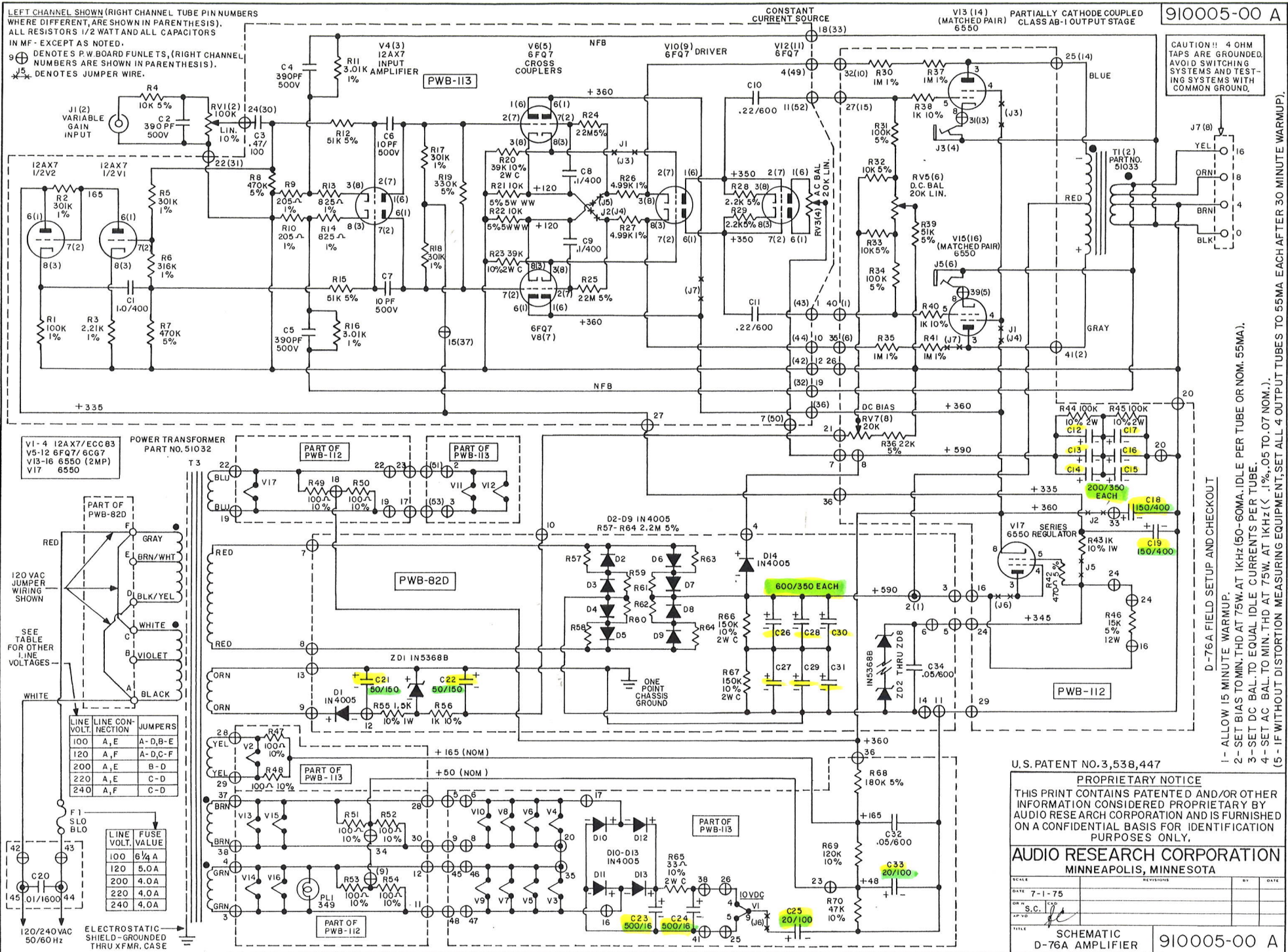
AUDIO RESEARCH CORPORATION
MINNEAPOLIS, MINNESOTA

2-1-74 ZD5,6,7 WERE IN5378B S.C. 6244
S.C. ZD2,3,4,8,8 ADDED

SCHEMATIC D-76 AMPLIFIER ACE-482-R1

D-76 FIELD SET UP AND CHECKOUT:
1- ALLOW 15 MINUTE WARMUP.
2- SET BIAS TO MIN. THD AT 75W. AT 1KHZ (40-60MA. IDLE PER TUBE OR NOM. 50MA).
3- SET DC BAL. TO EQUAL IDLE CURRENTS PER TUBE.
4- SET AC BAL. TO MIN. THD AT 1KHZ (K .1%, .05 TO .07 NOM.).
(5- IF WITHOUT DISTORTION MEASURING EQUIPMENT, SET ALL 4 OUTPUT TUBES TO 50MA EACH AFTER 30 MINUTE WARMUP)

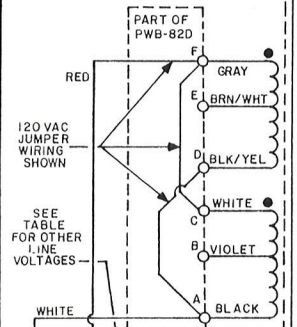
NOTE:
ALL VOLTAGES ARE TYPICALLY ± 5% WITH 120 VAC INPUT



LEFT CHANNEL SHOWN (RIGHT CHANNEL TUBE PIN NUMBERS WHERE DIFFERENT, ARE SHOWN IN PARENTHESIS). ALL RESISTORS 1/2 WATT AND ALL CAPACITORS IN MF - EXCEPT AS NOTED.
 9 ⊕ DENOTES P.W. BOARD FUNLE TS, (RIGHT CHANNEL NUMBERS ARE SHOWN IN PARENTHESIS).
 * J DENOTES JUMPER WIRE.

910005-00 A
 CAUTION!! 4 OHM TAPS ARE GROUNDED. AVOID SWITCHING SYSTEMS AND TESTING SYSTEMS WITH COMMON GROUND.

V1-4 12AX7/ECC83
 V5-12 6FQ7/6CG7
 V13-16 6550 (2MP)
 V17 6550



LINE VOLT.	LINE CONNECTION	JUMPERS
100	A, E	A-D, B-E
120	A, F	A-D, C-F
200	A, E	B-D
220	A, E	C-D
240	A, F	C-D

LINE VOLT.	FUSE VALUE
100	6 1/4 A
120	5.0 A
200	4.0 A
220	4.0 A
240	4.0 A

120/240 VAC 50/60 Hz
 ELECTROSTATIC SHIELD-GROUNDED THRU XFMR. CASE

D-76A FIELD SETUP AND CHECKOUT
 1- ALLOW 15 MINUTE WARMUP.
 2- SET BIAS TO MIN. THD AT 75W. AT 1KHZ (50-GOMA. IDLE PER TUBE OR NOM. 55MA).
 3- SET DC BAL. TO EQUAL IDLE CURRENTS PER TUBE.
 4- SET AC BAL. TO MIN. THD AT 75W. AT 1KHZ (< .1%, < .05 TO .07 NOM.).
 (5- IF WITHOUT DISTORTION MEASURING EQUIPMENT, SET ALL 4 OUTPUT TUBES TO 55MA EACH AFTER 30 MINUTE WARMUP).

U.S. PATENT NO. 3,538,447
 PROPRIETARY NOTICE
 THIS PRINT CONTAINS PATENTED AND/OR OTHER INFORMATION CONSIDERED PROPRIETARY BY AUDIO RESEARCH CORPORATION AND IS FURNISHED ON A CONFIDENTIAL BASIS FOR IDENTIFICATION PURPOSES ONLY.
AUDIO RESEARCH CORPORATION
 MINNEAPOLIS, MINNESOTA
 SCALE: _____
 DATE: 7-1-75
 DRAWN BY: S.C.
 TITLE: SCHEMATIC D-76A AMPLIFIER
 910005-00 A

D76A MASTER PARTS LIST

PAGE 1 OF 4

COMPILED 6-17-75 JMC

QTY	DESCRIPTION	PART #			
1	1 Shield, Right	10001400			
2	1 Shield, Left	10001401			
3	2 Board S+flanes	10001500			
4	2 Brkt., Front Panel	10001700			
5	1 Chassis	10003300			
6	1 Panel, Natural	10005101			
7		1 Panel, Gold	10005102		
8	2 Knob, Black	13000700			
9	4 Foot, Elastomer	13100300			
10	1 PWB 112	16014600			
11	1 PWB 113	16014700			
12	1 PCB 82D	16014800			
13	1 Relief, Line Cord	20001800			
14	2 HANDLE	20000900			
15	42 6-32 x 3/8", Phil., Pan	21106007			
16	4 6-32 x 3/4", Phil., Pan	21106008			
17	28 6-32 x 1/4", Phil., Pan	21106010			
18					
19	4 8-32 x 1/2", Slted. Pan	21108001			
20					
21	2 10-32 x 1/2", Slted. Pan	21110000			
22	8 10-32 x 3/4", Slted. Pan	21110004			
23	4 10-24 x 3/4", Slted. Pan	21110006			
24	4 10-32 x 1/2", Slted. Truss	21110008			
25					
26	20 Nut, 6-32 x 1/4	21206000			
27	14 Nut, 10-32	21210000			
28	14 Nut, 3/8"-32	21238000			
29					
30	65 Lockwasher, #6	21306000			
31	30 Lockwasher, #10	21310000			
32	12 Washer, #10 x 3/4 OD x 1/16 THK ^{BOKER}	21310003			
33	8 Washer, #12 x 9/16 OD x 1/4 ID	21312001			
34	6 Lockwasher, 3/8"	21338000			
35	2 Washer, Fiber, Flat, 3/8"	21338001			
36	2 Washer, Fiber, Shoulder, 3/8"	21338002			
37	8 Washer, Steel, 3/8"	21338003			
38					
39					
40					



DT6A MASTER PARTS LIST

PAGE 2 OF 4

COMPILED 6-17-75 JOK

QTY	DESCRIPTION	PART #
12	Spacers, 6-3/8"	21406001
10	Spacer, 6-7/16"	21406003
6	Spacer, 6-5/8"	21406004
30	Tywrap	21500100
1	Holder, Fuse	23000200
1	Socket, Pilot Lamp	23000300
12	Socket, 9 pin tube	23000400
5	Socket, 8 pin tube	23000600
2	Connector, Barrier Strip	23100100
2	Solder Lug, 3/8", (3501FR)	23101100
2	Jack, Phono, 3501FR	23200100
4	Jack, Banana, L12A	23200200
1	Line Cord, 18 x 2, 6 Foot	25000600
1	Lens, Green, Translucent	23300400
8	Diode, 1N5368B	30500100
14	Diode, 1N4005	30500400
4	12AX7A	32000100
4	6FQ7, RCA	32000200
1	6550, Regulator	32000501
2	6550, Matched Pair	32000502
1	Bulb, Incandescent, #349	34000300
4	6FQ7, GE	32000202
8	100Ω, 1/2W, 10%	40100203
4	1KΩ, 1/2W, 10%	40100303
1	1KΩ, 1W, 10%	40100304
2	100KΩ, 2W, 10%	40100505
1	1.5K, 1W, 10%	40150304
2	150K, 2W, 10%	40150505
1	33Ω, 2W, 10%	40330105
4	39K, 2W, 10%	40390405
1	47K, 1/2W, 10%	40470403
6	10K, 1/2W, 5%	41100403
4	100K, 1/2W, 5%	41100503
1	120K, 1/2W, 5%	41120503
1	180K, 1/2W, 5%	41180503
4	2.2K, 1/2W, 5%	41220303
2	22K, 1/2W, 5%	41220403



D76A MASTER PARTS LIST

PAGE 3 OF 4

COMPILED 6-17-75
JOK

QTY	DESCRIPTION	PART #		
1	8 2.2 M, 1/2 W, 5%	41220603		
2	4 22 M, 1/2 W, 5%	41220703		
3	2 330 K, 1/2 W, 5%	41330503		
4	1 470Ω, 1/2 W, 5%	41470203		
5	4 470 K, 1/2 W, 5%	41470502		
6	6 51 K, 1/2 W, 5%	41510403		
7	1 820Ω, 1/2 W, 5%	41820203		
8				
9	2 100 K, 1/2 W, 1%	42100503		
10	8 1 M, 1/2 W, 1%	42100603		
11	4 205Ω, 1/2 W, 1%	42205203		
12	2 2.21 K, 1/2 W, 1%	42221303		
13	4 3.01 K, 1/2 W, 1%	42301303		
14	2 301 K, 1/2 W, 1%	42301503		
15	6 301 K, 3/4 W, 1%	42301504		
16	2 316 K, 1/2 W, 1%	42316503		
17	4 4.99 K, 1/2 W, 1%	42499303		
18	4 825Ω, 1/2 W, 1%	42825203		
19	4 10KΩ, 5W, 5%	43100400		
20	1 15K, 12W, 5%	43150400		
21	2 Pot, 100K, Linear	45100518		
22	6 Pot, 20K, Linear	45200411		
23				
24	2 150μfd @ 400V	50150801		
25	2 20 μfd @ 100V	50200700		
26	6 200 μfd @ 350V	50200800		
27	2 50 μfd @ 150V	50500700		
28	2 600 μfd @ 16V	50600800		
29	6 600 μfd @ 350V	50600802		
30				
31	1 .01 μfd @ 1600V	53100403		
32	4 .01 μfd @ 400V	53100502		
33	4 .22 μfd @ 600V	53220503		
34	2 .47 μfd @ 100V	53470503		
35	1 .05 μfd @ 600V	53500400		
36	2 1.0 μfd @ 400V	53100605		
37	4 10 pf @ 500V	57100100		
38	6 390 pf @ 500V	57390200		
39	1 XFMR, Power	60001400		
40	2 XFMR, OUTPUT	60001500		

