

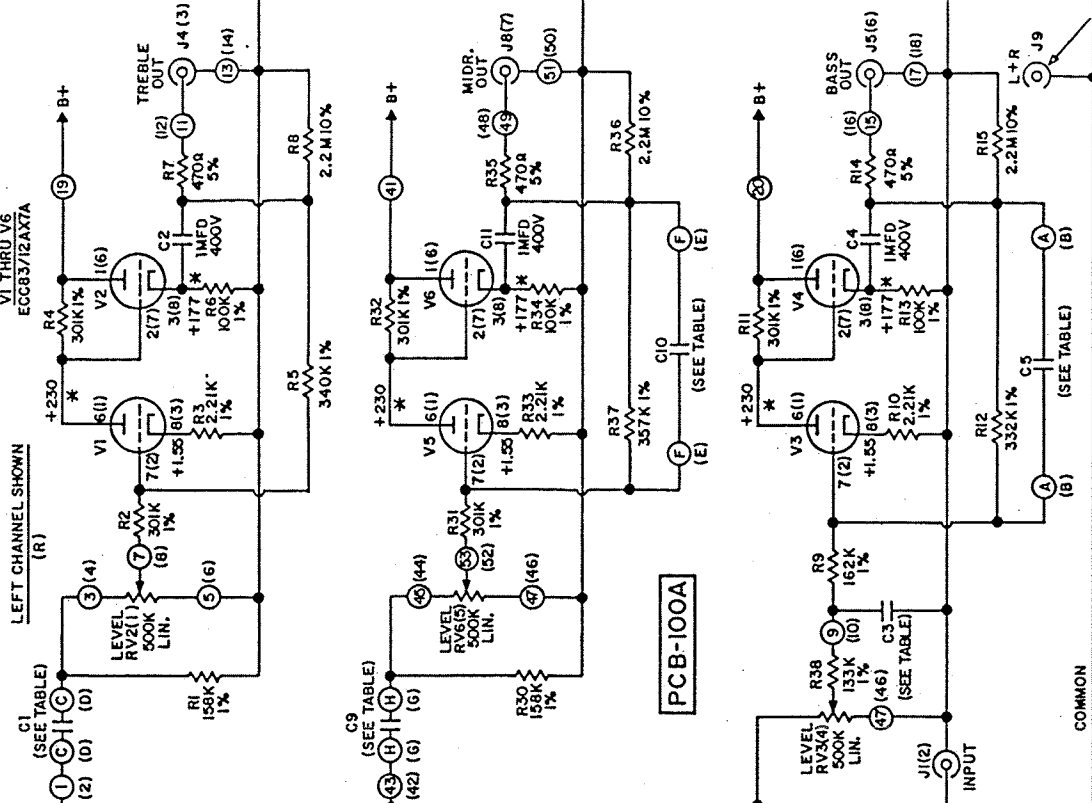
EC-2/4 CAPACITOR VALUES VS. CROSSOVER FREQUENCY

f (Hz)	TREBLE/ MID- RANGE * C1, C9 (pf)	ACTUAL PICO-FARADS	BASS ROLL- OFF C5 (pf)	ACTUAL PICO-FARADS	MID- RANGE ROLL- OFF * C10 (pf)	ACTUAL PICO-FARADS	BASS INPUT C3 (pf)	ACTUAL PICO-FARADS
50	37090	33000+3900	9588	8200+1200+180	8916	8200+680	10000	10000
100	18550	10000+8200+3300	4794	4700+82	4458	3900+470+82	5000	4700+270
150	12360	10000+2200+1500	3196	2700+470	2972	2700+270	3300	3300
200	9273	8200+1000	2397	2200+180	2229	2200+20	2500	2200+270
								TRIM AS REQUIRED
250	7418	6800+560	1918	1800+82	1783	1500+270		
400	4636	3900+680+47	1198	1000+180+10	1115	1000+100		
500	3709	3300+390	959	820+120+10	892	820+68		
800	2318	2200+120	599	560+33	557	470+82		
1K	1855	1800+47	479	470	446	390+47		
1.5K	1236	1200+27	320	270+39	297	270+20		
2K	927	820+100	240	220+15	223	180+33		
2.5K	742	680+56	192	180+5	178	150+22		
3.5K	530	470+56	137	120+10	127	120		
5K	371	330+33	96	82+10	89	68+10		
7.5K	247	220+20	64	56	59	47+5		
10K	185	150+27	48	39	45	33+5		
	CALCU- LATED VALUE	TRIM AS REQUIRED	CALCU- LATED VALUE	TRIM AS REQUIRED	CALCU- LATED VALUE	TRIM AS REQUIRED	CALCU- LATED VALUE	

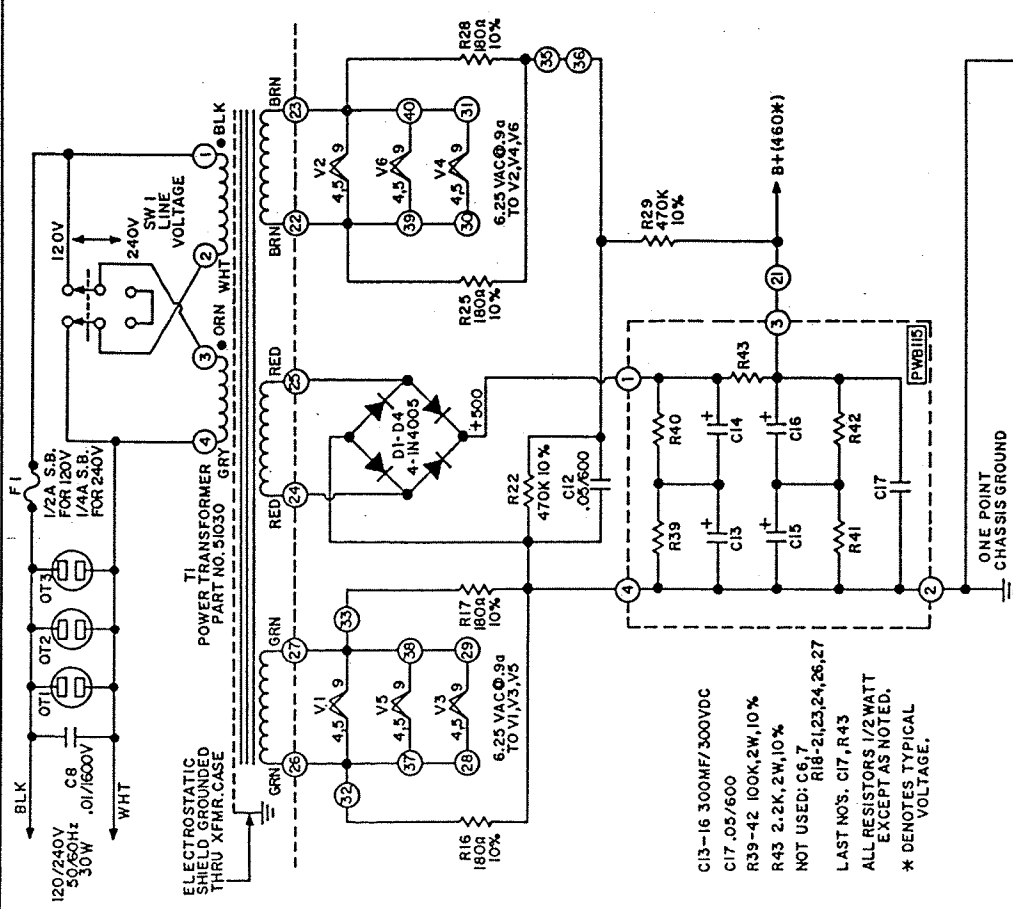
* NOTE: C9 & C10 ARE NOT USED ON EC-2

FOR 12db PER OCTAVE
ROLL OFF - USE FOR
200 Hz OR LESS ONLY

LEFT CHANNEL SHOWN (R)



PCB-100A



C13-16 300MF/300VDC
 C17 .05/600
 R39-42 100K, 2W, 10%
 R43 2.2K, 2W, 10%
 NOT USED: C6, 7
 R18-21, 23, 24, 26, 27
 LAST NOS. C17, R43
 ALL RESISTORS 1/2 WATT EXCEPT AS NOTED.
 * DENOTES TYPICAL VOLTAGE.

PROPRIETARY NOTICE
 THIS PRINT CONTAINS PATENTED AND/OR OTHER INFORMATION CONSIDERED PROPRIETARY BY AUDIO RESEARCH CORPORATION AND IS FURNISHED ON A CONFIDENTIAL BASIS FOR IDENTIFICATION PURPOSES ONLY.

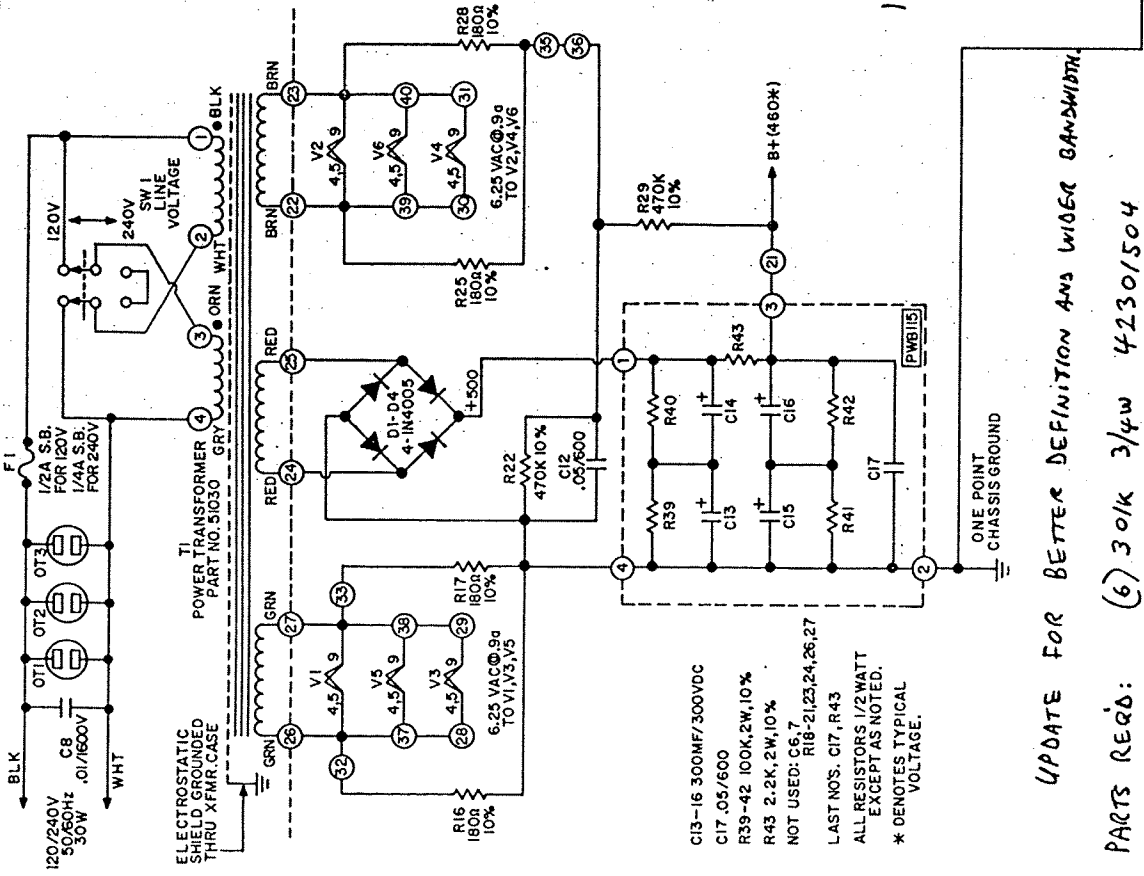
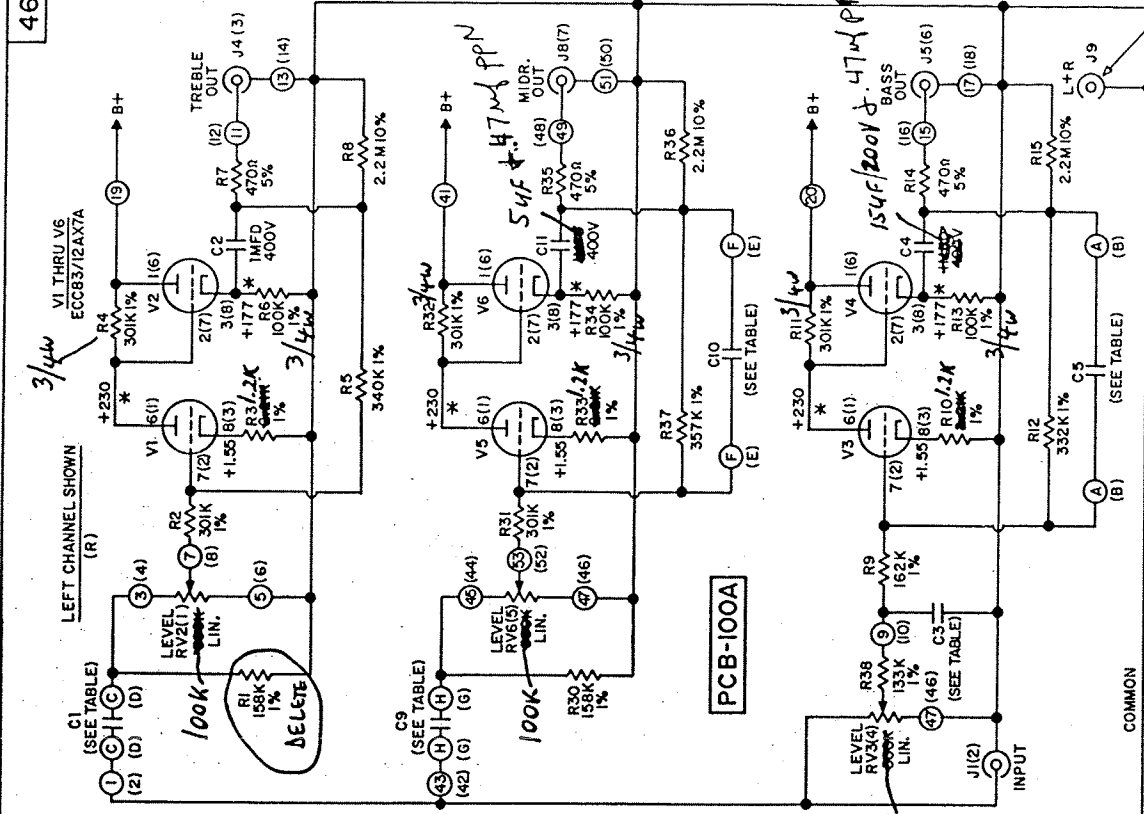
AUDIO RESEARCH CORPORATION
 MINNEAPOLIS, MINNESOTA

DATE: 11-3-75
 BY: [Signature]
 CHECKED: [Signature]

SCHEMATIC EC-4AELECTRONIC CROSSOVER ACE-468R3

BASS CENTER CHANNEL OUTPUT MUST BE WIRED BY USER - SEE INSTRUCTION MANUAL

COMMON



UPDATE FOR BETTER DEFINITION AND WIDER BANDWIDTH

- FACTS READ:
- (6) 30k 3/4w 4230/504
 - (6) 100k 3/4w 42100/504
 - (6) 1.2k 270 46120/301
 - (6) 100k pot #5100518
 - (2) 54f-400V 200V 53500602
 - (2) 154f 400V 200V 53150700
 - (4) 47M PPN 53470506

C13-16 300MF/300VDC
 C17 .05/600
 R39-42 100K, 2W, 10%
 R43 2.2K, 2W, 10%
 NOT USED: C6, 7, R43
 R18-21, 23, 24, 26, 27
 LAST NOS. C17, R43
 ALL RESISTORS 1/2 WATT
 EXCEPT AS NOTED.
 * DENOTES TYPICAL
 VOLTAGE.

PROPRIETARY NOTICE
 THIS PRINT CONTAINS PATENTED AND/OR OTHER
 INFORMATION CONSIDERED PROPRIETARY BY
 AUDIO RESEARCH CORPORATION AND IS FURNISHED
 ON A CONFIDENTIAL BASIS FOR IDENTIFICATION
 PURPOSES ONLY.

BASS CENTER CHANNEL OUTPUT
 MUST BE WIRED BY USER -
 SEE INSTRUCTION MANUAL

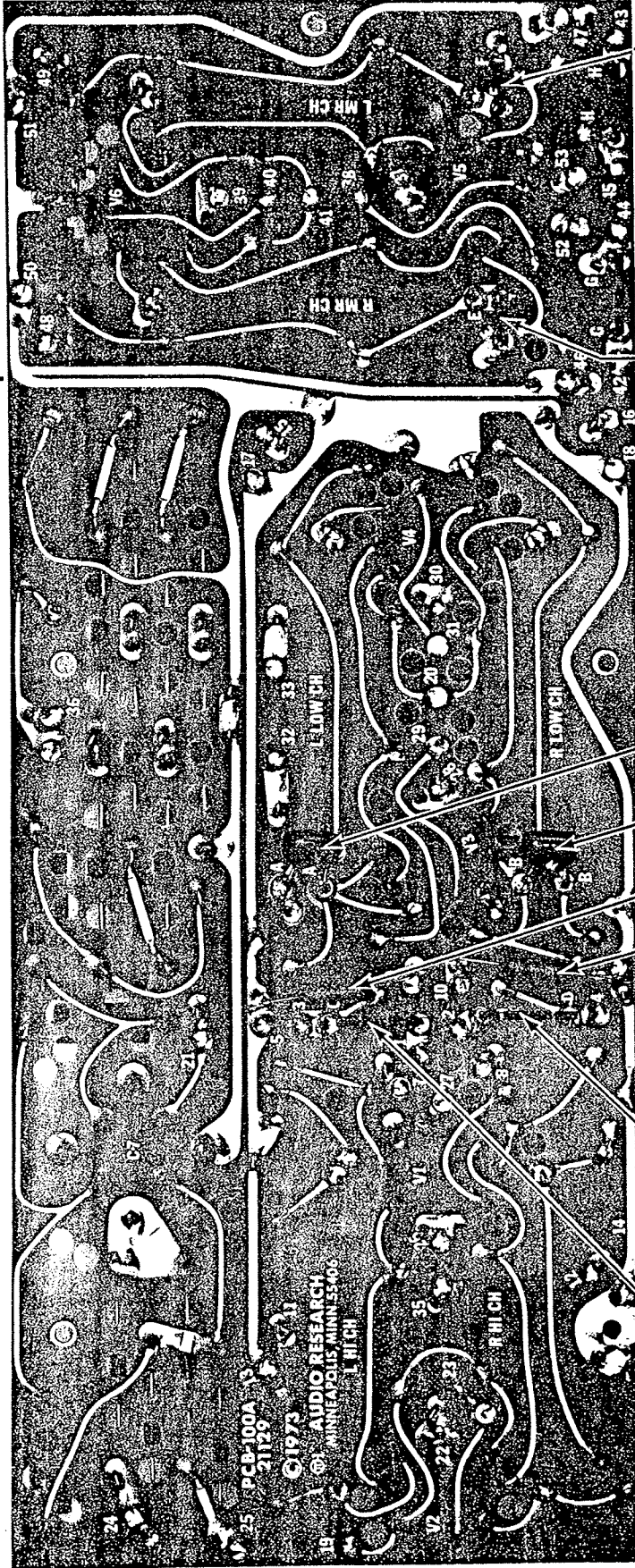
AUDIO RESEARCH CORPORATION
 MINNEAPOLIS, MINNESOTA

11-3-75
 S.C.H.

SCHEMATIC
 EC-44 ELECTRONIC CROSSOVER
 ACE-468R3

ROL 8/20/79 PER WES
 REV 1/7/80 RDL (SECRET R1)

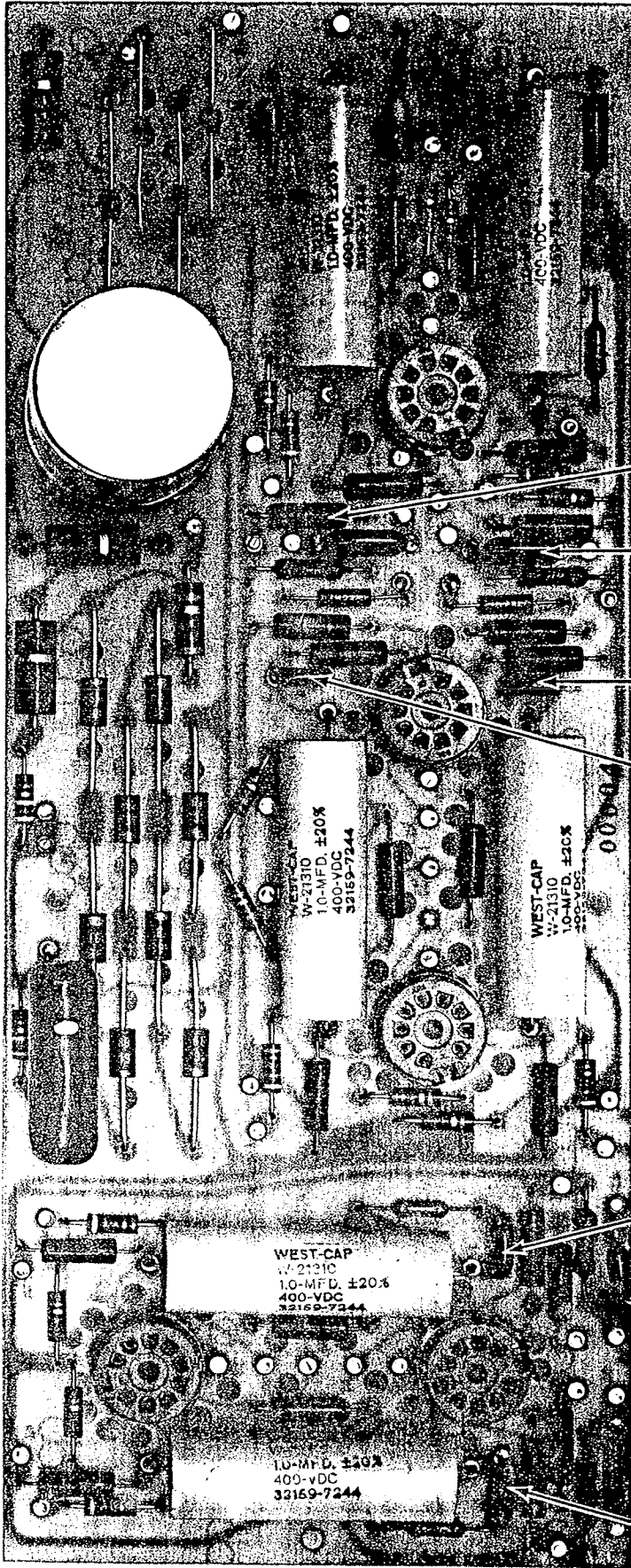
EC-2 & EC-4 ← → EC-4 ONLY



C10 C9 C9 C10
← → EC-2 & EC-4 → EC-4 ONLY

CIRCUIT SIDE

EC-4 ONLY ← → EC-2 & EC-4



C10 C9 C9 C10

EC-4 ONLY ← → EC-2 & EC-4

C5 C5 C1 C1

COMPONENT LAYOUT