

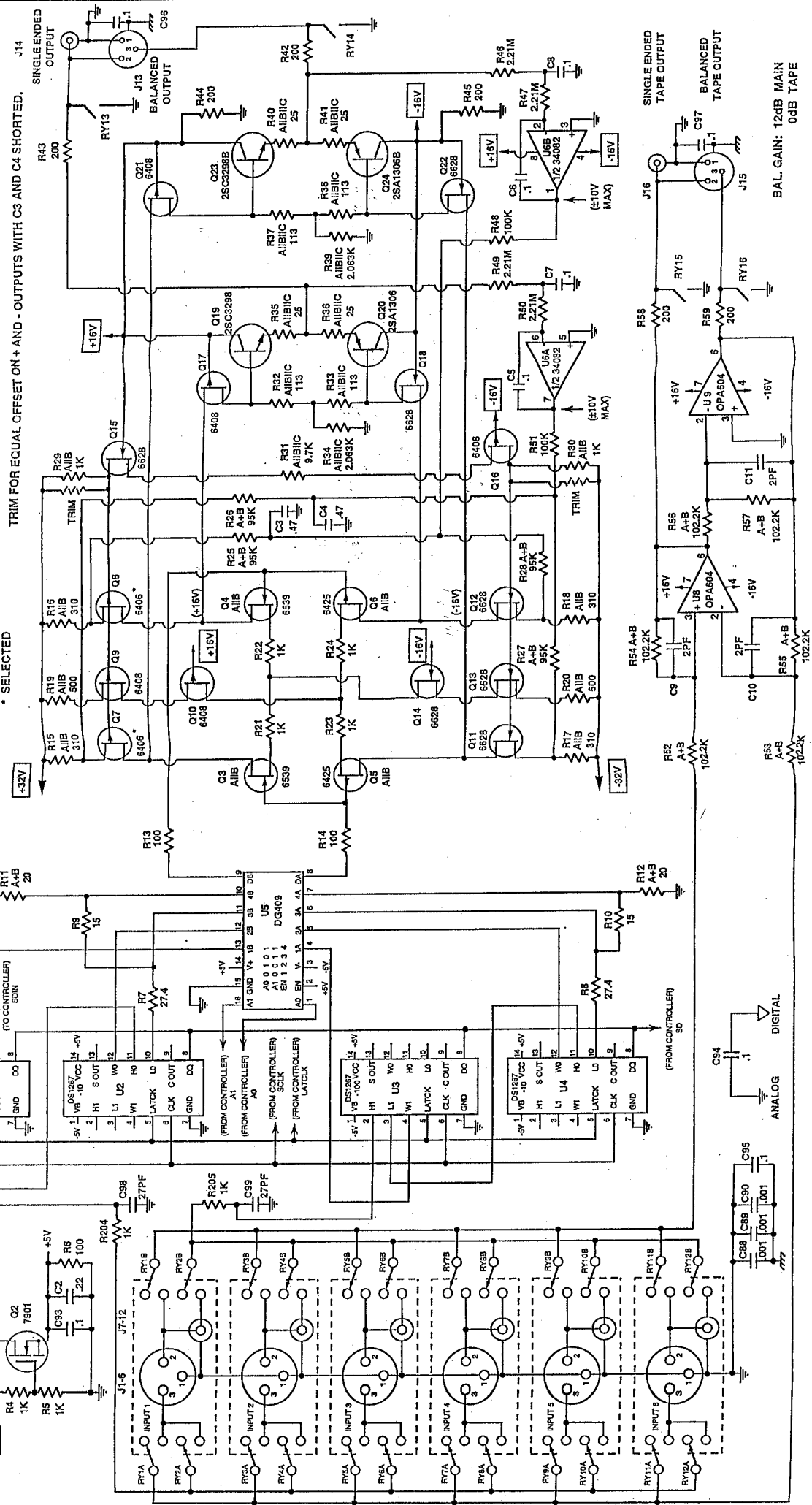
# **audio research**

H I G H D E F I N I T I O N<sup>®</sup>

5740 GREEN CIRCLE DRIVE / MINNETONKA, MINNESOTA 55343-4424 / PHONE 612/939-0600 FAX 612/939-0604

LS10 SCHEMATIC

2-15-96



\* SELECTED

TRIM FOR EQUAL OFFSET ON + AND - OUTPUTS WITH C3 AND C4 SHORTED.

J14

SINGLE ENDED OUTPUT

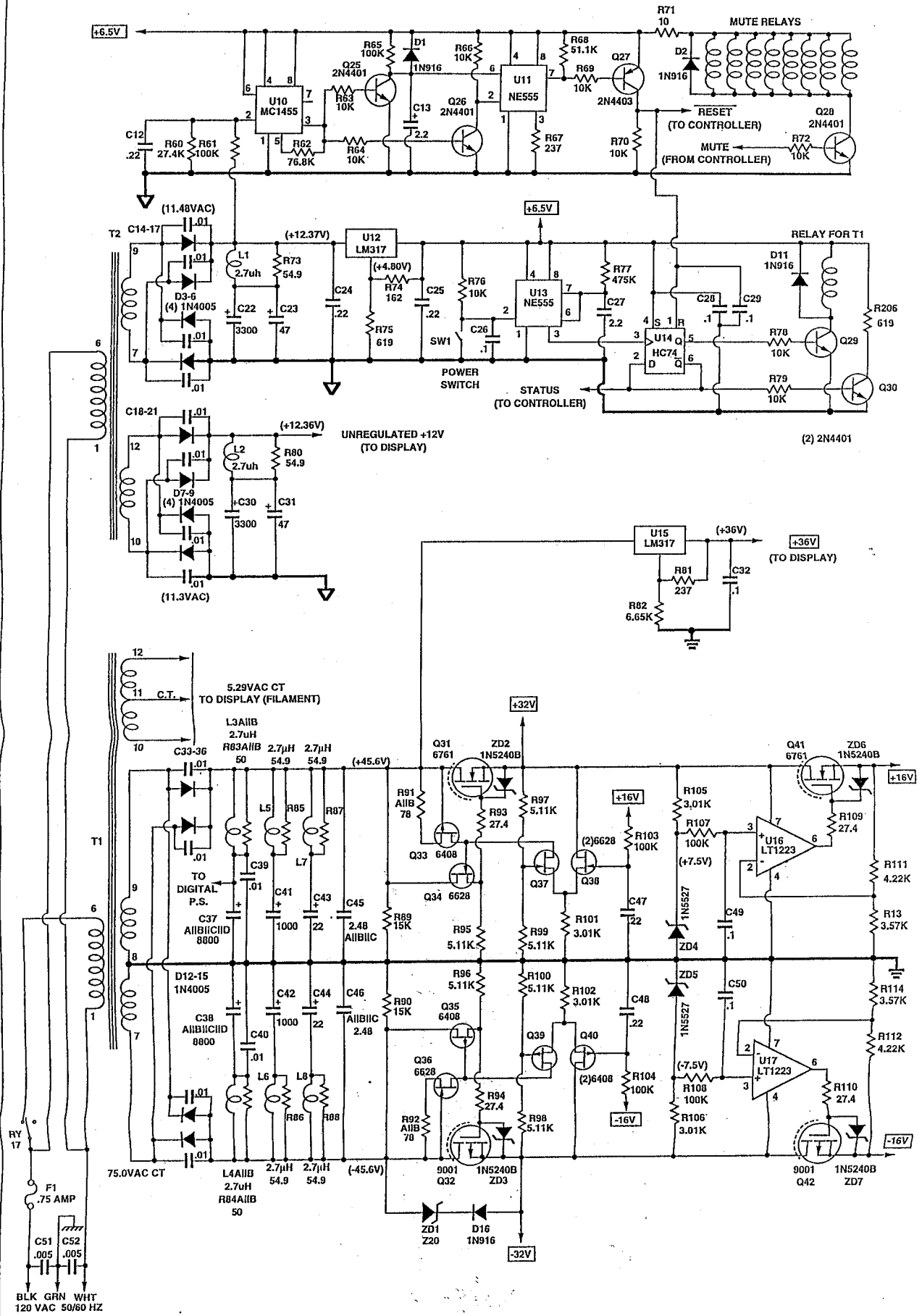
BALANCED OUTPUT

J16

SINGLE ENDED TAPE OUTPUT

BALANCED TAPE OUTPUT

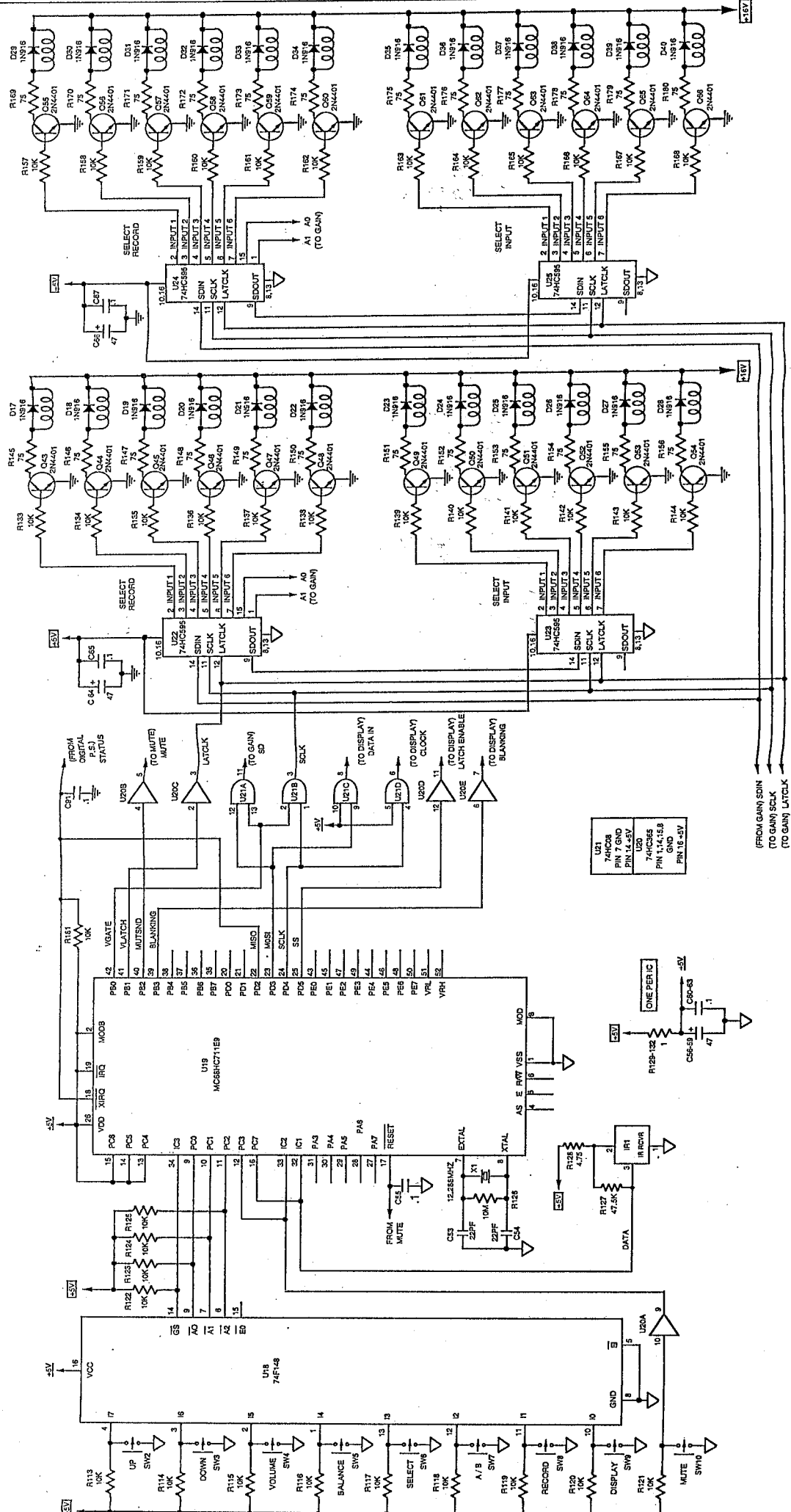
BAL GAIN: 12dB MAIN  
0dB TAPE



**LS10 POWER SUPPLY**  
 Page 2 of 4  
 2-15-96

**AUDIO RESEARCH CORPORATION**  
 5740 GREEN CIRCLE  
 MINNETONKA, MN 55343-4424

PROPRIETARY NOTICE: THIS DRAWING CONTAINS PATENTED, PATENT APPLIED FOR, AND/OR OTHER CIRCUITRY CONSIDERED PROPRIETARY BY AUDIO RESEARCH CORPORATION AND IS FURNISHED ON A CONFIDENTIAL BASIS FOR IDENTIFICATION PURPOSES ONLY.



PROPRIETARY NOTICE: THIS DRAWING CONTAINS PATENTED, PATENT APPLIED FOR, AND/OR OTHER CIRCUITRY CONSIDERED PROPRIETARY BY AUDIO RESEARCH CORPORATION AND IS FURNISHED ON A CONFIDENTIAL BASIS FOR IDENTIFICATION PURPOSES ONLY.

AUDIO RESEARCH CORPORATION  
 10000 UNIVERSITY AVENUE  
 MINNETONKA, ILL 60049-4424

LS10 CONTROLLER  
 Page 3 of 4  
 2-15-96

