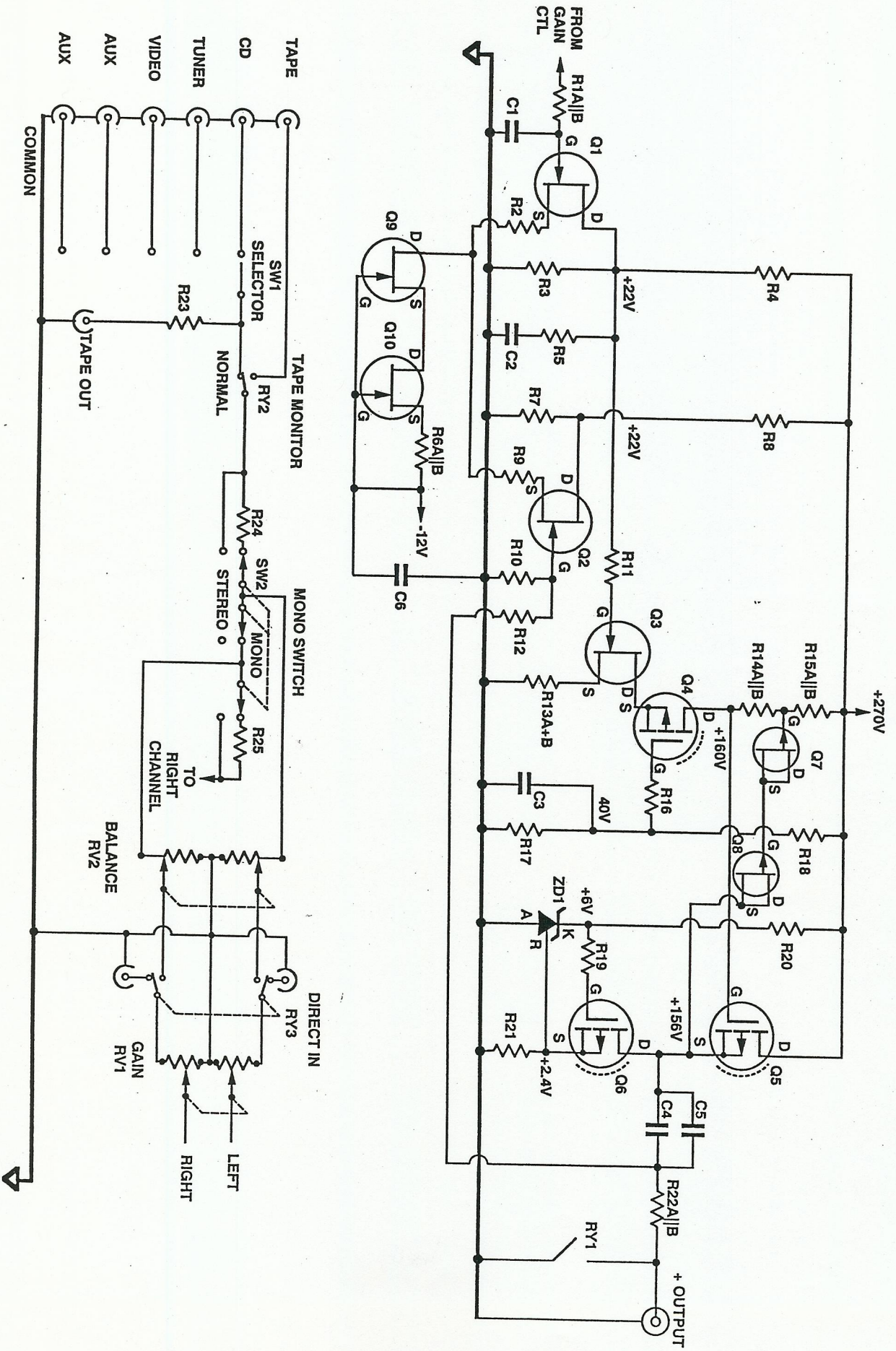


LS3/LS3B  
LINE STAGE AMPLIFIER  
SCHEMATIC AND PARTS LIST

7/2/92



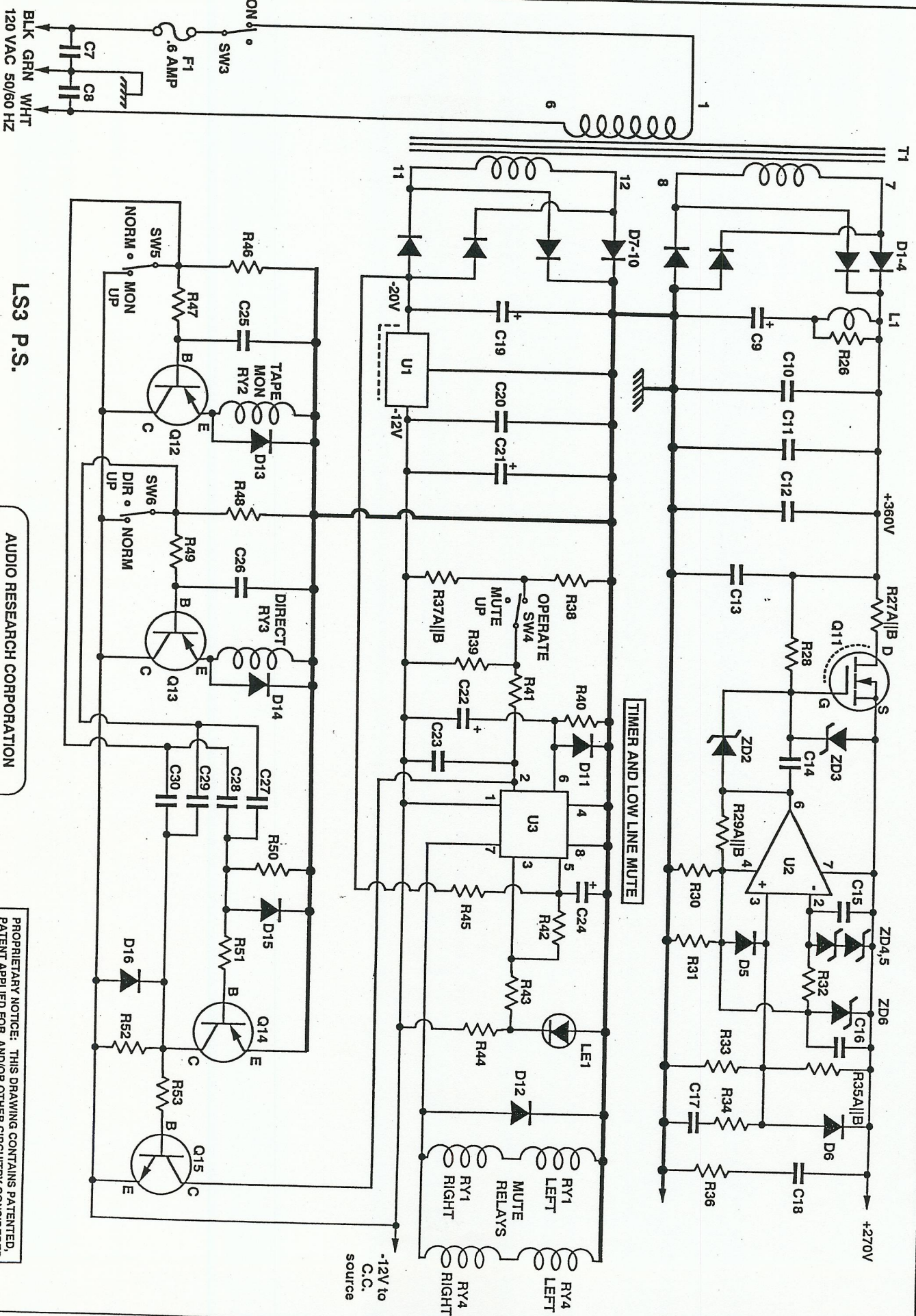
# LS3 PREAMPLIFIER

PAGE 1 OF 3  
7/2/92

AUDIO RESEARCH CORPORATION  
5740 GREEN CIRCLE DRIVE  
MINNETONKA, MN 55343-4424

PROPRIETARY NOTICE: THIS DRAWING CONTAINS PATENTED, PATENT APPLIED FOR, AND/OR OTHER CIRCUITRY CONSIDERED PROPRIETARY BY AUDIO RESEARCH CORPORATION AND IS FURNISHED ON A CONFIDENTIAL BASIS FOR IDENTIFICATION PURPOSES ONLY.



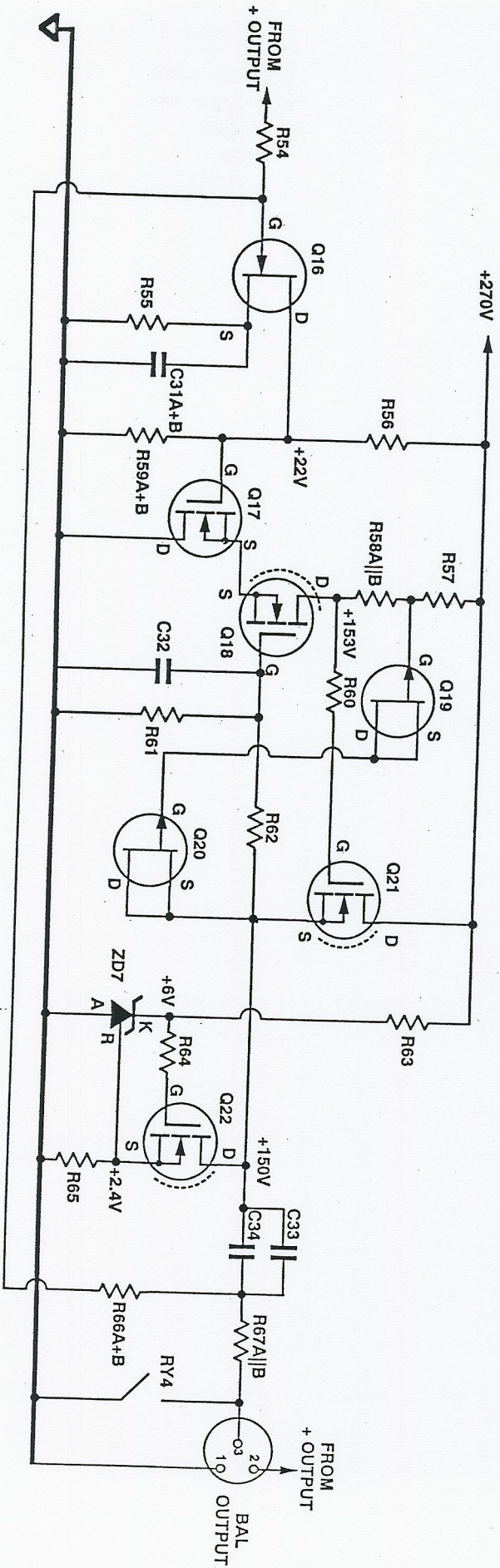


LS3 P.S.  
PAGE 2 OF 3  
7/2/92

AUDIO RESEARCH CORPORATION  
5740 GREEN CIRCLE DRIVE  
MINNETONKA, MN 55343-4424

PROPRIETARY NOTICE: THIS DRAWING CONTAINS PATENTED, PATENT APPLIED FOR, AND/OR OTHER CIRCUITRY CONSIDERED PROPRIETARY BY AUDIO RESEARCH CORPORATION AND IS FURNISHED ON A CONFIDENTIAL BASIS FOR IDENTIFICATION PURPOSES ONLY.





# LS3 BAL. OUT OPTION

PAGE 3 OF 3  
7-2-92

AUDIO RESEARCH CORPORATION  
5740 GREEN CIRCLE DRIVE  
MINNETONKA, MN 55343-4424

PROPRIETARY NOTICE: THIS DRAWING CONTAINS PATENTED, PATENT APPLIED FOR, AND/OR OTHER CIRCUITRY CONSIDERED PROPRIETARY BY AUDIO RESEARCH CORPORATION AND IS FURNISHED ON A CONFIDENTIAL BASIS FOR IDENTIFICATION PURPOSES ONLY.



# Model LS3/LS3-B Parts List

Schematic Symbol	Quantity	ARC Part	Description	Schematic Symbol	Quantity	ARC Part	Description
<b>C</b>		<b>CAPACITORS</b>		<b>R</b>		<b>RESISTORS</b>	
C 1	2	53560103	CAP. 56 PF+/-2% 630V DPN	R 17	2	42499403	RES. 49.9K 1% MK-3 50PPM
C 2	2	53560201	CAP. 560 PF+/-2.5% 630V	R 18	2	42301503	RES. 301K 1% MK-3 50PPM
C 3,20,23	4	53100505	CAP. .1 UF 10% 63V	R 19,64	4	42549103	RES. 54.9 OHM 1% MK-3 50PPM
C 4,34	4	53470511	CAP. .47 UF+/-20% 250V	R 20,63	4	42562513	RES. 562K 1% MK-4 50PPM
C 5,12,13,17,33	7	53100406	CAP. .01 UF+/-10% 630V	R 22A,22B,67A,67B	8	42475203	RES. 475 OHM 1% MK-3 50PPM
C 6,14,15,16	4	53220507	CAP. .22 UF 10% 160V	R 23,65	4	42499203	RES. 499 OHM 1% MK-3 50PPM
C 7,8	2	52500300	CAP. .005 UF 20% CERAMIC DISC	R 24,25,32,45	4	42499303	RES. 4.99K 1% MK-3 50PPM
C 9	1	50100802	CAP. 100 UF 450V	R 28	1	42158513	RES. 158K 1% MK-4 50PPM
C 10,11	2	53100800	CAP. 1 UF 450V	R 29A,29B	2	42392403	RES. 39.2K 1% MK-3 50PPM
C 18	1	53200602	CAP. 2 UF +/-10% 450V	R 30,31	2	42100505	RES. 100K 1% MK-8 50PPM
C 19	1	50100908	CAP. 1000 UF 63V	R 33	1	42280513	RES. 280K1% MK-4 50PPM
C 21,22	2	50470701	CAP. 47UF 35V	R 35A	1	42255403	RES. 25.5K 1% MK-3 50PPM
C 24,25,26	3	51220601	CAP. 2.2 UF+/-10% 25V	R 35B	1	42357403	RES. 35.7K 1% MK-3 50PPM
C 27,28,29,30	4	52100400	CAP. .01 UF 200V	R 36	1	43100002	RES. 1 OHM 2W 5% W.W.
C 31A,31B	4	53150202	CAP. 150 PF 2 1,2% 630V PPN	R 37B	1	42432503	RES. 432K 1% MK-3 50PPM
C 32	2	53500001	CAP. 5 PF +/-1PF 630V DPN	R 38	1	42698403	RES. 69.8K 1% MK-3 50PPM
<b>D</b>		<b>DIODES</b>		R 39	1	42100603	RES. 1 MEG 1% MK-3 50PPM
D 1-4	4	30502200	IN4006	R 40	1	42243513	RES. 243K 1% MK-4 50PPM
D 5,6,11-16	8	30500910	1N916B	R 42	1	42590403	RES. 59K 1% MK-3 50PPM
D 7-10	4	30500400	IN4005 GENERAL INSTRUMENT	R 43	1	42750203	RES. 750 OHM 1% MK-3 50PPM
<b>F</b>		<b>FUSES</b>		R 44	1	42392303	RES. 3.92K 1% MK-3 50PPM
F 1	1	34500250	FUSE, MDQ 6/10 A	R 46,48	2	42301303	RES. 3.01K 1% MK-3 50PPM
<b>J</b>		<b>CONNECTORS</b>		R 47,49,66B	4	42200303	RES. 2K MK-3 1% 50PPM
J 1-10	20	23202101	GOLD PHONO JACK,SD.CONN.	R 51,53	2	42100303	RES. 1K 1% MK-3 50PPM
J 11	2	23201910	SP15 MIC CONN. CH. MNT.	R 54,66A	4	42205503	RES. 205K 1% MK-3 50PPM
<b>L</b>		<b>INDUCTORS</b>		R 57,62	4	42274405	RES. 27.4K 1% MK-8 50PPM
L 1	1	61000170	CHOKE, 5.5 UH	R 59A,59B	4	42681303	RES. 6.81K 1% MK-3 50PPM
<b>Q</b>		<b>TRANSISTORS</b>		R 60	2	42150203	RES. 150 OHM 1% MK-3 50PPM
Q 1,2,16	6	30006503	FET, WHITE ORANGE	R 61	2	42619314	RES. 6.19K 1% MK-5 50PPM
Q 3	2	30006602	FET, VIOLET RED	<b>RV</b>		<b>CONTROLS</b>	
Q 4,11	3	30006761	FET, ORANGE YELLOW BROWN	RV 1	1	45100528	100K DUAL GAIN POT
Q 5,18,21	6	30006705	FET, ORANGE GREEN	RV 2	1	45100529	100K DUAL BALANCE POT
Q 6,22	4	30006706	FET, ORANGE BLUE	<b>RY</b>		<b>RELAYS</b>	
Q 7,8,19,20	8	30005901	FET, RED BROWN	RY 1,4	4	64101010	RELAY, 5V DAC1
Q 9,10	4	30006626	FET, VIOLET RED BLUE	RY 2,3	2	64101600	RELAY,LS3
Q 12,13,14	3	30002900	TRANSISTOR,2N4403	<b>SW</b>		<b>SWITCHES</b>	
Q 15	1	30002800	TRANSISTOR,2N4401	SW 1	1	24002500	LS3 CTS WAFER
Q 17	2	30007006	FET, GRAY BLUE	SW 2	1	24002600	LS3 CTS SWITCH
<b>R</b>		<b>RESISTORS</b>		SW 3,4,5,6	4	24100730	TOGGLE SWITCH SILVER, SATIN
R 1,34	5	42332203	RES. 332 OHM 1% MK-3 50PPM	<b>T</b>		<b>TRANSFORMERS</b>	
R 2,9,27A,27B,55	8	42200205	RES. 200 OHM+/-1% MK8 50PPM	T 1	1	60009900	XFR. LS3(120V)
R 3,7,37A,41	6	42100403	RES. 10K+/-1% MK-3 50PPM	<b>U</b>		<b>INTEGRATED CIRCUITS</b>	
R 4,8,15A,15B,56	10	42750405	RES. 75K 1% MK-8 50PPM	U 1	1	31002710	MC7912CT
R 5	2	42287303	RES. 2.87K 1% MK-3 50PPM	U 2	1	31002200	MC34071P
R 6A,6B	4	42127203	RES. 127 1% OHM MK-3 50PPM	U 3	1	31000801	TIMER
R 10	2	42121403	RES. 12.1K 1% MK-350PPM	<b>ZD</b>		<b>ZENER DIODES</b>	
R 11,26	3	42100203	RES. 100 OHM 1% MK-3 50PPM	ZD 1,7	4	31002600	ZENER DIODE, TL431CLP ADJ
R 12,50,52	4	42100503	RES. 100K+/-1% MK-3 50PPM	ZD 2	1	30504210	IN5535A (KNOX ONLY)
R 13A,13B	4	42402303	RES. 4.02K 1% MK-3 50PPM	ZD 3	1	30500300	IN4740A
R 14A,58A	4	42619203	RES. 619 OHM 1% MK-3 50PPM	ZD 4,5	2	31000705	LM329DZ GREEN
R 14B,21,58B	6	42267203	RES. 267 OHM 1% MK-3 50PPM	ZD 6	1	30503500	IN5359 B
R 16	2	42274103	RES. 27.4 OHM1% MK-3 50PPM				