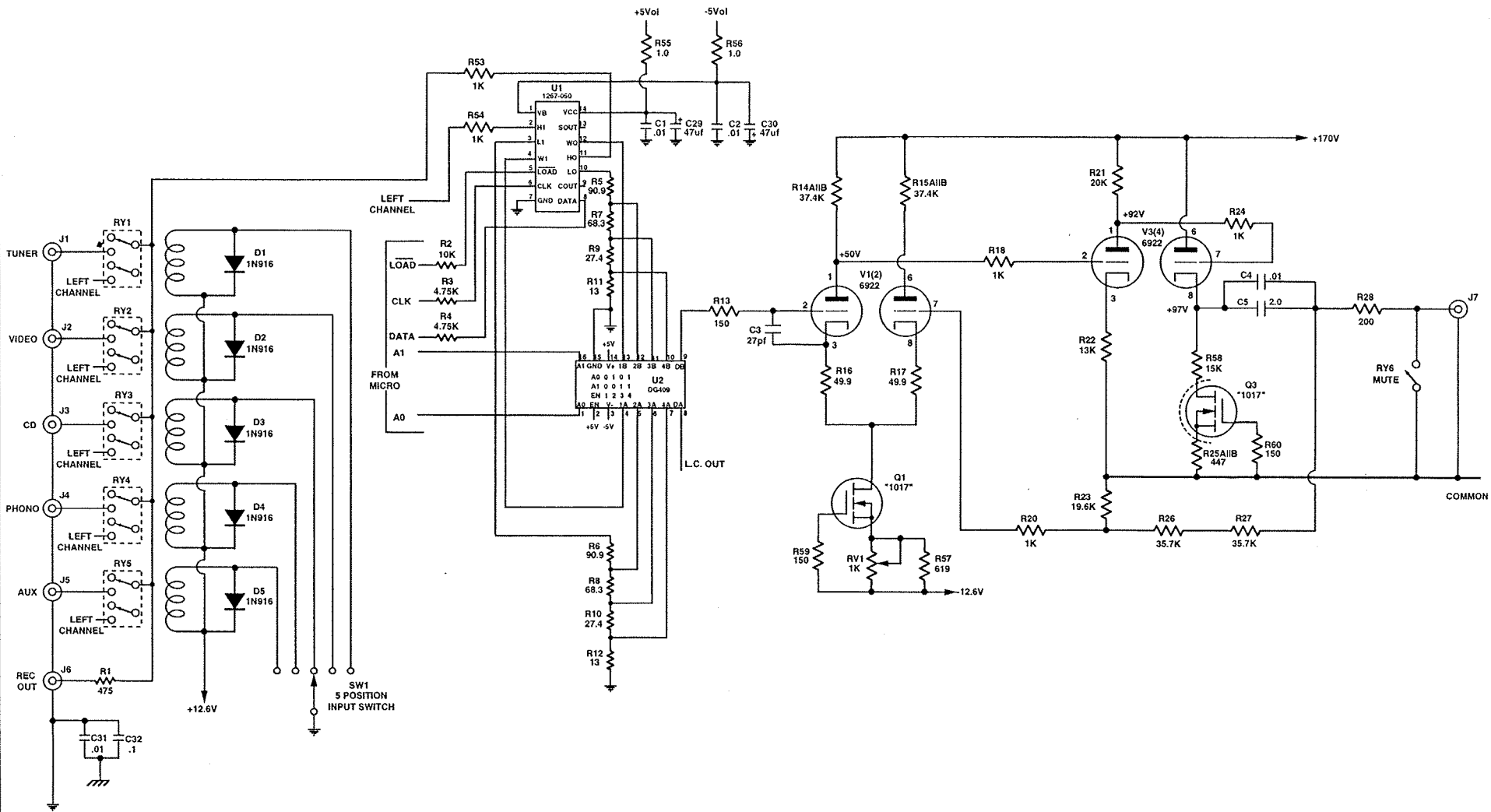


**audio research**  
HIGH DEFINITION®

5740 GREEN CIRCLE DRIVE / MINNETONKA, MINNESOTA 55343-4424 / PHONE 612/939-0600 FAX 612/939-0604

LS8MKII PREAMPLIFIER  
SCHEMATIC

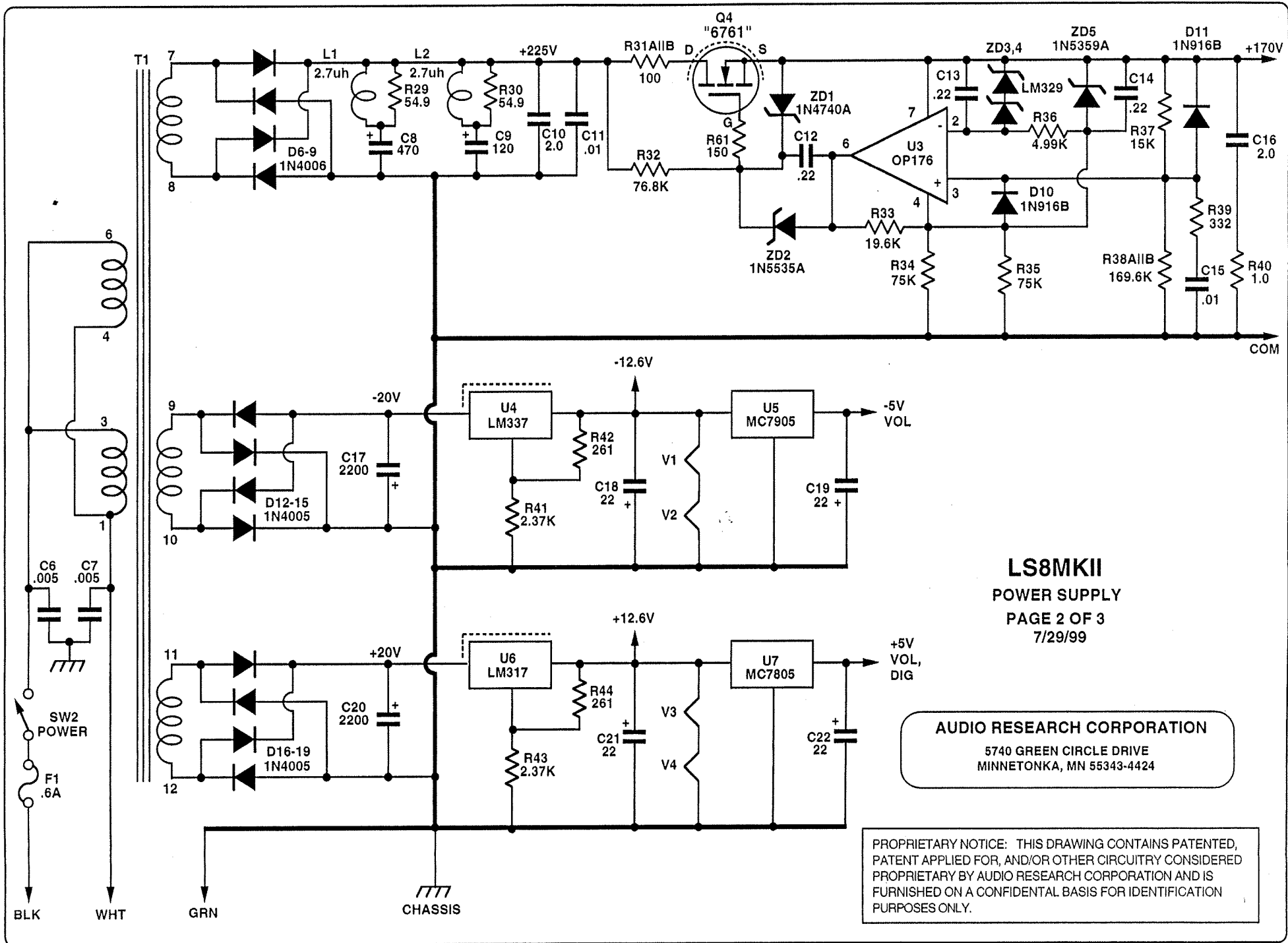
8/9/99



LS8MKII  
 AUDIO  
 PAGE 1 OF 3  
 8/9/99

AUDIO RESEARCH CORPORATION  
 5740 GREEN CIRCLE DRIVE  
 MINNETONKA, MN 55343-4424

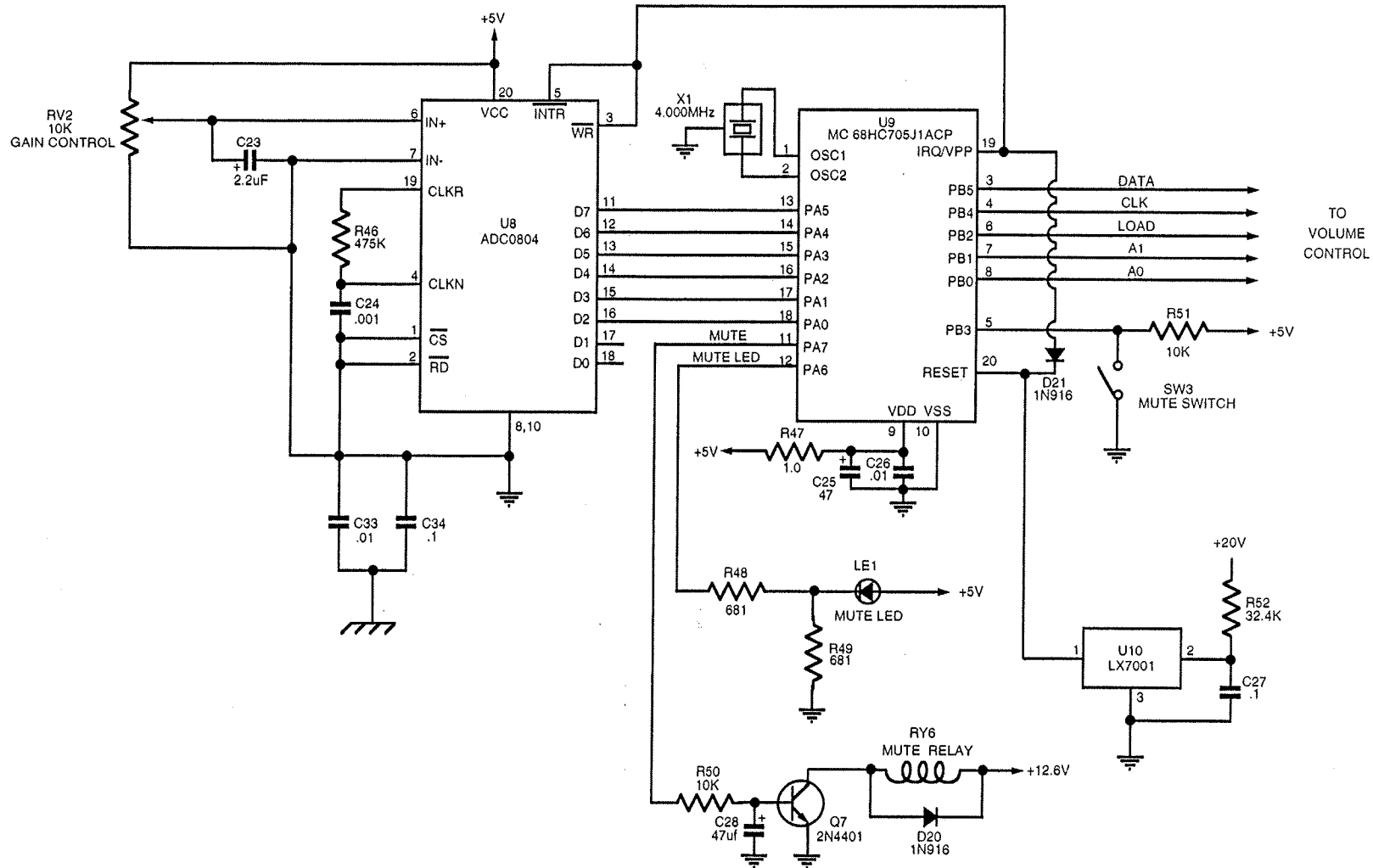
PROPRIETARY NOTICE: THIS DRAWING CONTAINS PATENTED, PATENT APPLIED FOR, AND/OR OTHER CIRCUITRY CONSIDERED PROPRIETARY BY AUDIO RESEARCH CORPORATION AND IS FURNISHED ON A CONFIDENTIAL BASIS FOR IDENTIFICATION PURPOSES ONLY.



**LS8MKII**  
**POWER SUPPLY**  
 PAGE 2 OF 3  
 7/29/99

**AUDIO RESEARCH CORPORATION**  
 5740 GREEN CIRCLE DRIVE  
 MINNETONKA, MN 55343-4424

PROPRIETARY NOTICE: THIS DRAWING CONTAINS PATENTED, PATENT APPLIED FOR, AND/OR OTHER CIRCUITRY CONSIDERED PROPRIETARY BY AUDIO RESEARCH CORPORATION AND IS FURNISHED ON A CONFIDENTIAL BASIS FOR IDENTIFICATION PURPOSES ONLY.



**LS8MKII**  
 $\mu$ P & INTERFACE LOGIC  
 PAGE 3 of 3  
 1-19-99

**AUDIO RESEARCH CORPORATION**  
 5740 GREEN CIRCLE DRIVE  
 MINNETONKA, MN 55343-4424

PROPRIETARY NOTICE: THIS DRAWING CONTAINS PATENTED, PATENT APPLIED FOR, AND/OR OTHER CIRCUITRY CONSIDERED PROPRIETARY BY AUDIO RESEARCH CORPORATION AND IS FURNISHED ON A CONFIDENTIAL BASIS FOR IDENTIFICATION PURPOSES ONLY.

## PARTS LIST

As of AUG 18 04

PRODUCT: LS8MK2

NOTES: CHANGED REV.2 ON 1/30/01 PER TPD#125

Schematic Symbol	Quantity	ARC Part #	Description
C CAPACITORS			
C1,2,26,31,32	5	52100400	CAP., .01µf 200V ±10%
C3	2	53270101	CAP., 27pf ±1pf 630V PNP
C5	2	53200607	(SS)CAP., 2µF 310V INFINICAP
C6,7	2	52500300	CAP., .005µF 300VAC/2000V ±20%
C8	1	50470809	CAP., 470µF 250V
C9	1	50120801	CAP., 120µF 450V "LYTIC"
C10,16	2	53200603	CAP., 2µF ±10% 250V
C11	1	53100412	CAP., .01µF ±10% 600V RTX
C12,13,14,33,34	5	53220507	CAP., .22µf ±10% 160V
C15	1	53100417	CAP., .01uf 600V TEFLON
C17,20	2	50220903	CAP., 2200µF 35V ELECTROLYTIC
C18,19,21,22	4	50220702	CAP., 22µF 50V "LYTIC"
C23	1	51220601	CAP., 2.2µF 25V ±20% DIP TANT.
C24	1	52100301	CAP., 1000pf 200V ±10% CER RAD
C25,28,29,30	4	50470701	CAP., 47µF 35V ±20%
C27,32,34	5	52100500	CAP., 0.1µf 100V ±20%
C35	3	53100410	CAP., .01uf ±10% 400V
D DIODES			
D1-5,10,11,20,21	9	30500910	1N916B
D6-9	4	30502200	IN4006
D12-19	8	30500400	IN4005
J CONNECTORS			
J1-7	7	23201509	JACK, CHASSIS RED
J1-7	7	23201510	JACK, CHASSIS WHITE
L INDUCTORS			
L1,2	2	61000160	CHOKE, 2.7µH ±10%
LE PANEL INDICATOR			
LE1	1	34300101	L.E.D., GREEN W/O CLIP & RING
Q TRANSISTORS			
Q1	2	30011038	FET, GREEN-ORANGE-GRAY
Q3	2	30011021	FET, GREEN GREEN BROWN
Q4	1	30006765	FET, ORANGE-YELLOW-GREEN
Q7	1	30002800	TRANSISTOR, 2N4401
R RESISTORS			
R1	2	42475203	RES., 475Ω MK-3 1% 50PPM
R2,50,51,58	3	42100402	RES., 10KΩ MK-2 1% 50 PPM
R5,6,59,60,61	5	42150202	RES., 150Ω MK-2 1% 50PPM
R9-12,16,17	4	42499102	RES., 49.9Ω MK-2 1% 50PPM
R13	2	42150203	RES., 150Ω MK-3 1% 50PPM
R14A,15	4	42475414	RES., 47.5KΩ MK-5 1% 50PPM
R14B	4	42182503	RES., 182KΩ MK-3 1% 50PPM

## PARTS LIST

As of AUG 18 04

PRODUCT: LS8MK2

NOTES: CHANGED REV.2 ON 1/30/01 PER TPD#125

Schematic Symbol	Quantity	ARC Part #	Description
R18,32	1	42768403	RES., 76.8K $\Omega$ MK-3 1% 50PPM
R20,24	6	42100303	RES., 1K $\Omega$ MK-3 1% 50PPM
R21	2	42200414	RES., 20K $\Omega$ MK-5 1% 50PPM
R23,33	3	42196403	RES., 19.6K $\Omega$ MK-3 1% 50PPM
R25A	2	42825203	RES., 825 $\Omega$ MK-3 1% 50PPM
R25B	2	42150303	RES., 1.50K $\Omega$ MK-3 1% 50PPM
R26,27	4	42357403	RES., 35.7K $\Omega$ MK-3 1% 50PPM
R28,31A,31B	4	42200205	RES., 200 $\Omega$ MK8 1% 50PPM
R29,30	2	42549103	RES., 54.9 $\Omega$ MK-3 1% 50PPM
R34,35	2	42750405	RES., 75K $\Omega$ MK-8 1% 50PPM
R36	1	42499303	RES., 4.99K $\Omega$ MK-3 1% 50PPM
R37	3	42150403	RES., 15K $\Omega$ MK-3 1% 50PPM
R38B	1	42562503	RES., 562K $\Omega$ MK-3 1% 50PPM
R39	1	42332203	RES., 332 $\Omega$ MK-3 1% 50PPM
R40	1	43100002	RES., 1 $\Omega$ 2W 5% W.W.
R41,43	2	42237303	RES., 2.37K $\Omega$ MK-3 1% 50PPM
R46	1	42475502	RES., 475K $\Omega$ MK-2 1% 50PPM
R47,55,56	3	42100002	RES., 1 $\Omega$ MK-2 1% 50 PPM
R48,49	2	42681202	(SS) RES., 681 $\Omega$ MK-2 1% 50PPM
R53,54	2	42100314	RES., 1K $\Omega$ MK-5 1% 50PPM
R57A,57B	4	42127303	RES., 1.27K $\Omega$ MK-3 1% 50PPM
		RV	CONTROLS
RV1	2	45100301	POT., TRIM 1K $\Omega$
RV2	1	45100428	(SS)POT., 10K LINEAR
		RY	RELAYS
RY1,6	6	64101600	RELAY, 12VDC
		SW	SWITCHES
SW1	1	24003700	(SS) SWITCH, SOURCE LS8
SW2,3	2	24102000	(SS) SWITCH,TOGGLE POWER"SPC"
		T	TRANSFORMERS
T1	1	60015214	(SS) XFR., LS8 DUAL VOLTAGE
		U	INTEGRATED CIRCUITS
U1	1	31008221	IC, 50K VOLUME 1267-050 TESTED
U2	1	31003820	DUAL ANALOG SWITCH DG409DJ
U3	1	31002210	OP-AMP, OP176GP
U4	1	31004700	REGULATOR, VOLTAGE ADJ. NEG.
U5	1	31002730	REGULATOR, MC7905CT
U6	1	31004000	REGULATOR, VOLTAGE ADJ POS.
U7	1	31002910	REGULATOR, IC 5V
U8	1	31009300	ADC0804LCN, LS8
U9	1	31008300	(Q)MC68HC705J1A, MOTOROLA
U10	1	31008400	LX7001CLP, LINFINITY

## PARTS LIST

As of AUG 18 04

PRODUCT: LS8MK2

NOTES: CHANGED REV.2 ON 1/30/01 PER TPD#125

Schematic Symbol		Quantity	ARC Part #	Description
	V			VACUUM TUBES
V1,2,3,4		4	32001162	(B)TUBE, 6922 SILVER TESTED
	X			CRYSTALS
X1		1	27000200	RESONATOR, 4Mhz #EFO-GC4004A4
	ZD			ZENER DIODES
ZD1		1	30500300	IN4740A
ZD2		1	30504210	DIODE, ZENER IN5535A (KNOX)
ZD3		1	31000702	FET, RED
ZD4		1	31000703	FET, ORANGE
ZD5		1	30503500	IN5359A OR B