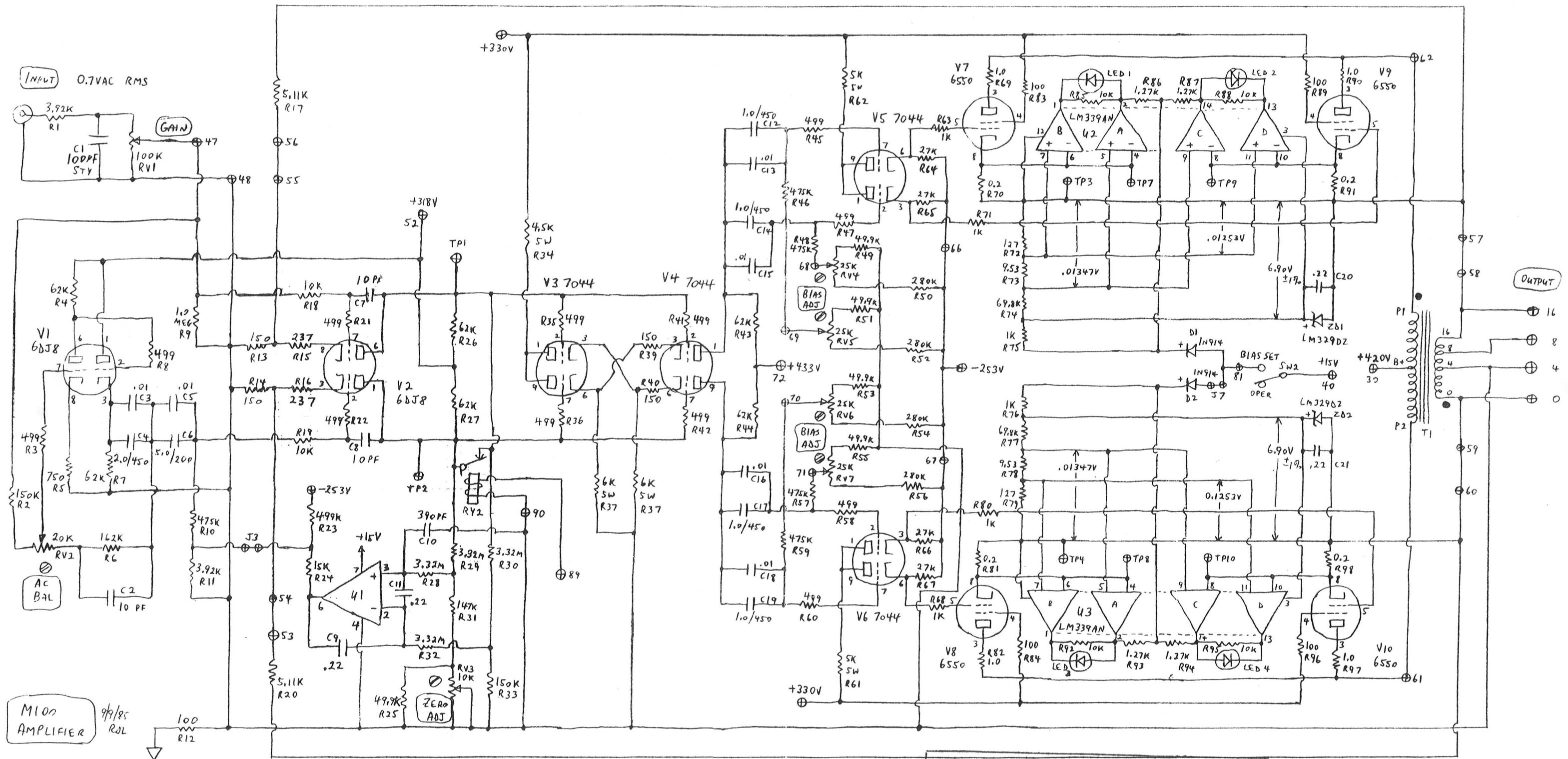


240VAC (220VAC)
M100 AMPLIFIER 9/9/85 RAL

PROPRIETARY NOTICE
THIS PRINT CONTAINS PATENTED AND/OR OTHER INFORMATION CONSIDERED PROPRIETARY BY AUDIO RESEARCH CORPORATION, AND IS FURNISHED ON A CONFIDENTIAL BASIS FOR IDENTIFICATION PURPOSES ONLY.

audio research corporation
6801 SHINGLE CREEK PARKWAY
MINNEAPOLIS, MINNESOTA 55430



PROPRIETARY NOTICE

THIS PRINT CONTAINS PATENTED AND/OR OTHER INFORMATION CONSIDERED PROPRIETARY BY AUDIO RESEARCH CORPORATION, AND IS FURNISHED ON A CONFIDENTIAL BASIS FOR IDENTIFICATION PURPOSES ONLY.

audio research corporation
 6801 SHINGLE CREEK PARKWAY
 MINNEAPOLIS, MINNESOTA 55430

audio research
HIGH DEFINITION®

3900 ANNAPOLIS LANE NORTH / PLYMOUTH, MINNESOTA 55447-5447 / PHONE: 763-577-9700 FAX 763-577-0323

M100 AMPLIFIER

PARTS LIST

Nov. 2, 1989

BILL OF MATERIALS

As of NOV 2 89

PRODUCT M100

Part Num	Description	Quantity
0600X100	MISC. WIRE M100	1
10021810	D70/115 /CL30/60 FRT.PAN BRKT.	2
10022110	D115 BOTTOM COVER REV.C	1
10022210	D908/D115 TOP COVER COMPLETE	1
10027910	M100 CHASSIS	1
10028010	M100 FRONT PANEL REV.A	1
13000700	KNOB, INPUT LEVEL, AMP	1
13100300	1/2" RUBBER FOOT	5
14002110	CL60/30/D70/D115 RED CAP COVER	5
16025410	M100 PWB BOARD	1
16025510	M100 CONTROL BOARD	1
20000910	4 9/16" HANDLE	2
20002540	BLACK BUSHING	4
20002810	SCREW INSULATOR F/ XFR.	8
20002820	#10 SCREW INSULATOR BLACK	8
20002900	STRAIN RELIEF	1
20003110	3/4" GROMMET	4
20004400	HEAT SINK	1
20004500	CAP. BRACKET	5
20004900	HEAT SINK, M100	1
20005001	XFR COVER, D125, 115, CL60 O.P.	1
20005002	CL60/M100/D115/D70 XFR COV.	2
21106007	6-32X3/8 PHIL.PAN HD. M.S.	18
21106020	6-32X3/8 PHIL.PAN BLK NCK PLAT	1
21106025	6-32X3/8" PHIL FLAT HD. M.S.	18
21106030	6-32X1/4 PHIL COVER SCREW	18
21108008	8-32X5/8 PHIL PAN SCREW NICKEL	5
21110014	10-24X5/8 HEX SOCKET	6
21110015	10-32X5/16" PHIL PAN MCHN SCH	4
21110017	10-32X5/8 PHIL PAN M.S.	2
21210000	10-32X3/8 HEX NUT	2
21210001	10-24X3/8 HEX NUT BRIGHT NICKEL	10
21305000	#6 LOCKWASHER	35
21305007	.146X.270X.090 FLT WSHR PL ALU	2
21310000	#10 INTERNAL TOOTH LOCKWASHER	8
21310003	#10 FLATWASHER (STEEL)	8
21325008	FLAT FIBER WSHR BLK 211-031-F	1
21338000	3/8" LOCKWASHER	2
21405004	6-32X5/8 SPACER HEX BRASS	2
21405005	6-32X3/4 HEX SPACER BRASS AD	15
21405011	1/4X3/8 SPACER #6 HOLE	2
21500100	CABLE TIE	50
23000401	9 PIN SM.VAC.TUBE SOCKET	8
23000610	OCTAL TUBE SOCKET-SPCS 125	5
23001700	STRAIGHT FUSE HOLDER	2
23002400	FUSE CLIP	2
23104400	4 BARRIER TERM.BLOCK, D250	1
23201200	GRAY GROUNDING PLUG	1
23201601	GOLD MONSTR JACK	1
24101300	TOGGLE SWITCH, MONO AMP.	2
25000700	POWER CORD #16X3, 8', D115, SP11	1
30002800	TRANSISTOR, 2N4401	1
30002900	TRANSISTOR, 2N4403	1
30005000	TIP41	1
30005200	G.E.D40K1	1
30006000	MCS 100-6	1
30006200	MTP 2P45	1

BILL OF MATERIALS

As of NOV 2 89

PRODUCT M100

Part Num	Description	Quantity
30500400	IN4005 GENERAL INSTRUMENT	10
30500910	FAIRCHILD IN916B	11
30502200	IN4006	5
30502500	IN4749	1
30502700	IN4742-A	4
30503200	IN4756	12
30503310	EDAL #M465	4
30503500	IN5359 B	1
30503600	TZB 250A TRANSIENT SUPPRESSOR	1
30503700	DIODE, Z20 10%	1
30503900	IN5347A	1
31000702	LM3290Z RED	2
31000705	LM3290Z GREEN	2
31001000	LM339M	2
31001700	MC7815CK	1
31001900	TL071CP	5
32000501	VAC.TUBE, 6550 (TESTED)	5
32000900	VAC.TUBE, 12AT7	1
32001110	VAC.TUBE, 6DJ8 RUSSIAN	2
32001510	VAC.TUBE, 7119 AMPEREX	5
34300102	L.E.D.COLLAR & RETAINING RING	6
34500102	FUSE, BUSSMAN AGC 1/4 250V	2
34500304	FUSE, 3AB 1 A	2
34500505	FUSE, MDX5/MDL5	2
41100204	RES. 100 OHM 5% 1/4 C.C.	1
41100504	RES. 100K 1/4 5%	1
41270505	RES. 270K+/-5% 24 CARBON COMP	1
41680204	RES. 680 OHM 1/4 5%	2
42100103	RES. 10 OHM 1% MK-3 50PPM	2
42100203	RES. 100 OHM 1% MK-3 50PPM	10
42100303	RES. 1K 1% MK-3 50PPM	8
42100403	RES. 10K+/-1% MK-3 50PPM	7
42100603	RES. 1 MEG 1% MK-3 50PPM	4
42100702	RES. 10 MEG 1% MK-2 50PPM	1
42121503	RES. 121K 1% MK-350PPM	1
42127203	RES. 127 1% OHM MK-3 50PPM	2
42127303	RES. 1.27 1% MK-3 50PPM	4
42147503	RES. 147K 1% MK-3 50PPM	1
42150203	RES. 150 OHM 1% MK-3 50PPM	4
42150303	RES. 1.50K 1% MK-3 50PPM	2
42150403	RES. 15K 1% MK-3 50PPM	1
42150503	RES. 150K 1% MK-3 50PPM	2
42158503	RES. 158K 1% MK-3 50PPM	1
42162503	RES. 162K 1% MK-3 50PPM	1
42162613	RES. 1.62 MEG 1% MK-4 50PPM	1
42182503	RES. 182K 1% MK-3 50PPM	1
42205203	RES. 205 OHM 1% MK-3 50PPM	1
42205503	RES. 205K 1% MK-3 50PPM	1
42215403	RES. 21.5K 1% MK-3 50PPM	1
42215503	RES. 215K 1% MK-3 50PPM	1
42221503	RES. 221K 1% MK-3 50PPM	4
42237203	RES. 237 OHM 1% MK-3 50PPM	2
42243513	RES. 243K 1% MK-4 50PPM	2
42280513	RES. 280K 1% MK-4 50PPM	8
42287303	RES. 2.87K 1% MK-3 50PPM	1
42287503	RES. 287K 1% MK-3 50PPM	1
42301503	RES. 301K 1% MK-3 50PPM	1

BILL OF MATERIALS

As of NOV 2 89

PRODUCT M100

Part Num	Description	Quantity
42332503	RES. 3.32 MEG 1% MK-3 50PPM	4
42357403	RES. 35.7K 1% MK-3 50PPM	1
42392303	RES. 3.92K 1% MK-3 50PPM	3
42475303	RES. 475K 1% MK-3 50PPM	6
42499203	RES. 499 OHM 1% MK-3 50PPM	16
42499403	RES. 49.9K 1% MK-3 50PPM	10
42511203	RES. 511 OHM 1% MK-3 50PPM	1
42511303	RES. 5.11K 1% MK-3 50PPM	2
42511403	RES. 51.1K 1% MK-3 50PPM	1
42549103	RES. 54.9 OHM 1% MK-3 50PPM	1
42581303	RES. 6.81K 1% MK-3 50PPM	4
42598403	RES. 69.8K 1% MK-3 50PPM	2
42750203	RES. 750 OHM 1% MK-3 50PPM	1
42768403	RES. 76.8K 1% MK-3 50PPM	1
43100002	RES. 1 OHM 2W 5% W.W.	3
43100004	RES. 1 OHM 2W 5% BLUE LINE	4
43100105	RES. 10 OHM 2W 5% W.W.	1
43100202	RES. 100 OHM 2W 5%	5
43200002	RES. 0.2 OHM 3W 1% GRAY	4
43270401	RES. 27K 1W 3%	5
43330401	RES. 33K 3W 3%	1
43350401	RES. 35K 10W 5%	1
43450300	RES. 4.5K 5W 5%	1
43500301	RES. 5K 5W 5%	2
43600300	RES. 6K +/-3% 5W W.W.	2
43620400	RES. 62K +/-3% 5W	7
43750001	RES. 7.5 OHM 2W W.W.	1
43750102	RES. 75 OHM 3W 5%	1
43750200	RES. 750 OHM 2W 1%	1
45100424	10K TRIM POT	1
45100518	100 K POT	1
45200412	TRIM POT 20K	1
45250401	25K BIAS POT 550 R253A	4
47000300	THERMISTOR 30 OHM +/-20% CL50	1
48499503	RES. 499K 1/2W 1%	1
50150903	CAP. 1500 UF 30V	1
50170901	CAP. 1700 UF 250V	1
50800701	CAP. 80 UF 450V	1
50800801	CAP. 800 UF 450V GRAY	4
51100790	CAP. 10 UF 20V	1
53100101	CAP. 10 PF +/-1 PF 630V FPM	3
53100302	CAP. 1000 PF 630V SIEMENS	2
53100403	CAP. .01 UF +/-10% 160V	1
53100406	CAP. .01 UF +/-10% 630V	10
53100500	CAP. .1 UF 100V 10%	1
53100502	CAP. .1 UF 400V	1
53100800	CAP. 1 UF 450V	4
53200602	CAP. 2 UF +/-10% 450V	8
53220304	CAP. 2200 PF 630V STY.	1
53220506	CAP. .22 UF 100V	15
53390200	CAP. 390 PF STY.	1
53500606	CAP. 5 UF +/-20% 250V	1
53560103	CAP. 56 PF +/-2% 630V DPM	1
60005900	XFR. D115/M100 OP REV.A	1
60006701	XFR. M100 POWER	1
64100800	RELAY, 12V	1
64101000	RELAY, 12V REED 51P 1200 OHM	1