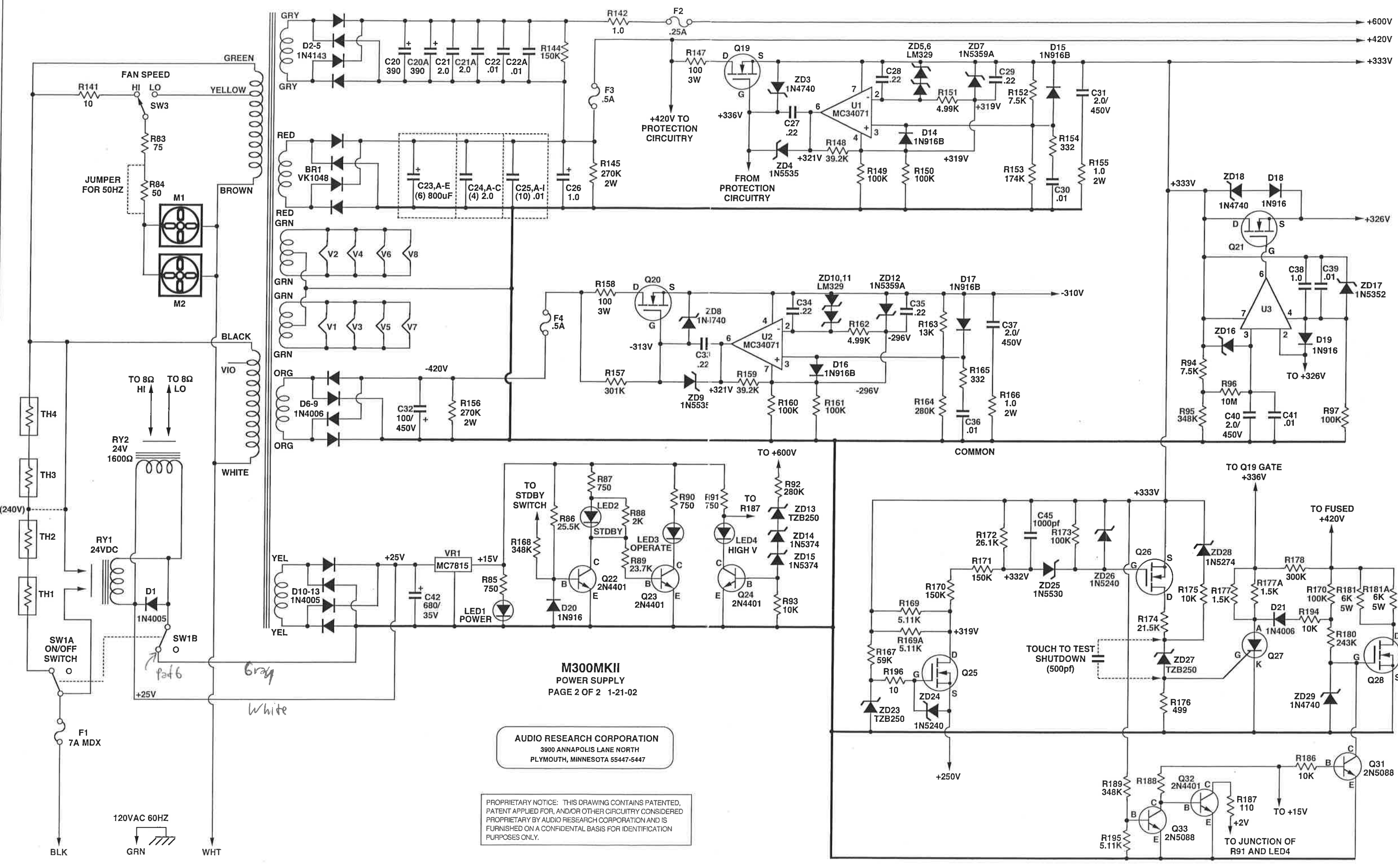


M300MKIII  
 AUDIO  
 PAGE 1 OF 2  
 1-21-02

AUDIO RESEARCH CORPORATION  
 3900 ANNAPOLIS LANE NORTH  
 PLYMOUTH, MN 55447-5447

PROPRIETARY NOTICE: THIS DRAWING CONTAINS PATENTED, PATENT APPLIED FOR, AND/OR OTHER CIRCUITRY CONSIDERED PROPRIETARY BY AUDIO RESEARCH CORPORATION AND IS FURNISHED ON A CONFIDENTIAL BASIS FOR IDENTIFICATION PURPOSES ONLY.



**M300MKII**  
POWER SUPPLY  
PAGE 2 OF 2 1-21-02

**AUDIO RESEARCH CORPORATION**  
3900 ANNAPOLIS LANE NORTH  
PLYMOUTH, MINNESOTA 55447-5447

PROPRIETARY NOTICE: THIS DRAWING CONTAINS PATENTED, PATENT APPLIED FOR, AND/OR OTHER CIRCUITRY CONSIDERED PROPRIETARY BY AUDIO RESEARCH CORPORATION AND IS FURNISHED ON A CONFIDENTIAL BASIS FOR IDENTIFICATION PURPOSES ONLY.