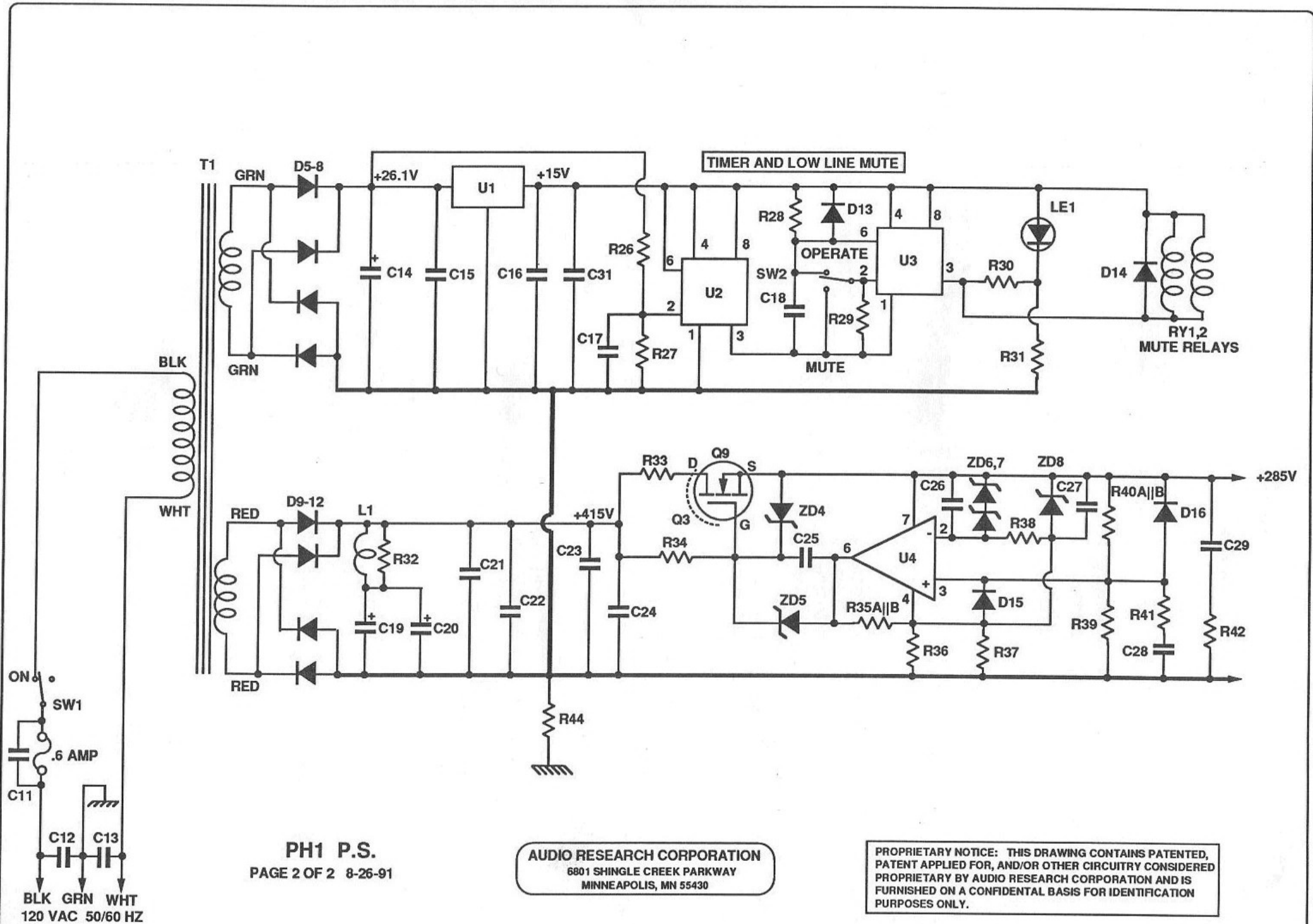


PH - 1
PAGE 1 OF 2 8-26-91

AUDIO RESEARCH CORPORATION

6801 SHINGLE CREEK PARKWAY
MINNEAPOLIS, MN 55430

PROPRIETARY NOTICE: THIS DRAWING CONTAINS PATENTED, PATENT APPLIED FOR, AND/OR OTHER CIRCUITRY CONSIDERED PROPRIETARY BY AUDIO RESEARCH CORPORATION AND IS FURNISHED ON A CONFIDENTIAL BASIS FOR IDENTIFICATION PURPOSES ONLY.



PH1 P.S.
PAGE 2 OF 2 8-26-91

AUDIO RESEARCH CORPORATION
6801 SHINGLE CREEK PARKWAY
MINNEAPOLIS, MN 55430

PROPRIETARY NOTICE: THIS DRAWING CONTAINS PATENTED, PATENT APPLIED FOR, AND/OR OTHER CIRCUITRY CONSIDERED PROPRIETARY BY AUDIO RESEARCH CORPORATION AND IS FURNISHED ON A CONFIDENTIAL BASIS FOR IDENTIFICATION PURPOSES ONLY.

BLK GRN WHT
120 VAC 50/60 HZ

PARTS LIST

As of AUG2891

PRODUCT: PH1

NOTES:

Schematic Symbol	Quantity	ARC Part #	Description
C			CAPACITORS
C 1,3,9B,31	7	53560201	CAP. 560 PF+/-2.5% 630V
C 2	2	53560103	CAP. 56 PF+/-2% 630V DPN
C 4,5,6	6	53270101	CAP. 27 PF +/-1PF 630V PNP
C 7,23,24,28	5	53100406	CAP. .01 UF+/-10% 630V
C 8	2	53500606	CAP. 5 UF+/-20% 250V
C 9A	2	53156400	CAP. .0156 UF +/-2% 630V
C 9C	2	53150202	CAP. 150 PF 2 1/2% 630V PPN
C 9D	2	53100202	CAP. 100 PF+/-2 1/2% 630 V PPN
C 10	2	53480300	CAP. .0048 UF+/-2% 630V
C 11	1	52200400	CAP. .02 UF 20% 300VAC/2000VD
C 12,13	2	52500300	CAP. .005 UF 20% CERAMIC DISC
C 14	1	50150904	CAP. 1500 UF 35V
C 15,16	2	53100505	CAP. .1 UF 10% 63V
C 17,25,26,27,31	5	53220507	CAP. .22 UF 10% 160V
C 18	1	51330702	CAP. 33 UF+/-10% 16V
C 19,20	2	50100802	CAP. 100 UF 450V
C 21,22	2	53100608	CAP. 1.0 UF 1-20% 425V TYPE V
C 29	1	53200602	CAP. 2 UF +/-10% 450V
C 30	2	52680000	CAP. 6.8 PF +/- 1/2PF 1000V
D			DIODES
D 1,2,3,4,13,14,15,16,17	13	30500910	1N916B
D 5,6,7,8	4	30500400	IN4005 GENERAL INSTRUMENT
D 9,10,11,12	4	30502200	IN4006
F 1	1	34500270	FUSE, 6/10 AMP
J			CONNECTORS
J 1,3	2	23201509	CHASSIS JACK,RED
J 2,4	2	23201510	CHASSIS JACK,WHITE
L 1	1	61000170	CHOKE, 5.5 UH
LE 1	1	34300102	L.E.D.COLLAR & RETAINING RING
Q			TRANSISTORS
Q 1A,1B	4	30006534	FET, WHITE ORANGE YELLOW
Q 2,4	4	30007517	FET, ORANGE BROWN VIOLET
Q 3	2	30008102	FET GRAY,RED,RED
Q 5,6	4	30005901	FET, RED BROWN
Q 7	2	30006715	FET, ORANGE,GREEN,YELLOW
Q 8	2	30006706	FET, ORANGE BLUE
Q 9	1	30006811	FET, YELLOW
Q 10	2	30003100	TRANSIST.,2N5088,2N5209,2N5210

PARTS LIST

As of AUG28 91

PRODUCT: PH1

NOTES:

Schematic Symbol	Quantity	ARC Part #	Description
R			RESISTORS
RC	2	42100403	RES. 10K+/-1% MK-3 50PPM
RC	2	42432103	RES. 43.2 OHM 1% MK-3 50PPM
RC	2	42432303	RES. 4.32K 1% MK-3 50PPM
R 1	2	42499403	RES. 49.9K 1% MK-3 50PPM
R 2,17,23A,23B,	8	42549103	RES. 54.9 OHM 1% MK-3 50PPM
R 3A,RC	4	42150203	RES. 150 OHM 1% MK-3 50PPM
R 3B,RC	4	42205203	RES. 205 OHM 1% MK-3 50PPM
R 3C	2	42182303	RES. 1.82K 1% MK-3 50PPM
R 4A,4B,38	5	42499303	RES. 4.99K 1% MK-3 50PPM
R 5,10A	4	42750103	RES. 75 OHM 1% MK-3 50PPM
R 6A,30,RC	5	42100303	RES. 1K 1% MK-3 50PPM
R 6B,25A,25B,32,RC	9	42100203	RES. 100 OHM 1% MK-3 50PPM
R 7,8A,8B	6	42750405	RES. 75K 1% MK-8 50PPM
R 9A,9B,36,37	6	42100505	RES. 100K 1% MK-8 50PPM
R 9C,13	4	42274405	RES. 27.4K 1% MK-8 50PPM
R 10B	2	42383103	RES. 38.3 OHM 1% MK-3 50PPM
R 11,27	3	42301403	RES. 30.1K 1% MK3 50PPM
R 12	2	42274103	RES. 27.4 OHM1% MK-3 50PPM
R 14A,14B	4	42357203	RES. 357 OHM 1% MK-3 50PPM
R 15	2	42150414	RES. 15K 1% MK-5 50PPM
R 16	2	42562513	RES. 562K 1% MK-4 50PPM
R 18	2	42511203	RES. 511 OHM 1% MK-3 50PPM
R 19A,19B,19C	6	42100314	RES. 1K 1% MK-5 50PPM
R 20,40B	3	42475503	RES. 475K 1% MK-3 50PPM
R 21	2	42300514	RES. 300K 1% MK-5 50PPM
R 22A	2	42274403	RES. 27.4K 1% MK-3 50PPM
R 22B	2	42150303	RES. 1.50K 1% MK-3 50PPM
R 22C	2	42357403	RES. 35.7K 1% MK-3 50PPM
R 24,44	3	42100103	RES. 10 OHM 1% MK-3 50PPM
R 26	1	42768403	RES. 76.8K 1% MK-3 50PPM
R 28	1	42100603	RES. 1 MEG 1% MK-3 50PPM
R 29	1	41100702	RES. 10 MEG 1/4W 5%
R 31	1	42511303	RES. 5.11K 1% MK-3 50PPM
R 33	1	43150201	RES. 150 OHM 2W 5%
R 34	1	42158513	RES. 158K 1% MK-4 50PPM
R 35A,35B	2	42392403	RES. 39.2K 1% MK-3 50PPM
R 39	1	42280513	RES. 280K1% MK-4 50PPM
R 40A,43	3	42150403	RES. 15K 1% MK-3 50PPM
R 41	1	42332203	RES. 332 OHM 1% MK-3 50PPM
R 42	1	43100002	RES. 1 OHM 2W 5% W.W.
RY 1,2	2	64101000	RELAY, 12V REED S1P 1200 OHM
RY			RELAYS
SW 1,2	2	24101600	TOGGLE,INVERT
SW			SWITCHES

PARTS LIST

As of AUG 28 91

PRODUCT: PH1

NOTES:

Schematic Symbol		Quantity	ARC Part #	Description
T	TRANSFORMERS			
T1		1	60007701	XFR. SP9/14(220/240V) TOROID
U	INTEGRATED CIRCUITS			
U1		1	31002000	MC7815CT
U1		1	31002200	MC34071P
U 2,3		2	31000801	TIMER MC1455P1
ZD	ZENER DIODES			
ZD1		2	30504400	IN5240B
ZD2		2	30501800	IN5245B
ZD3		2	31002600	ZENER DIODE, TL431CLP ADJ
ZD4		1	30500300	IN4740A
ZD5		1	30504200	IN5535A
ZD 6,7		2	31000703	LM329DZ ORANGE
ZD8		1	30503500	IN5359 B