

audio research

HIGH DEFINITION®

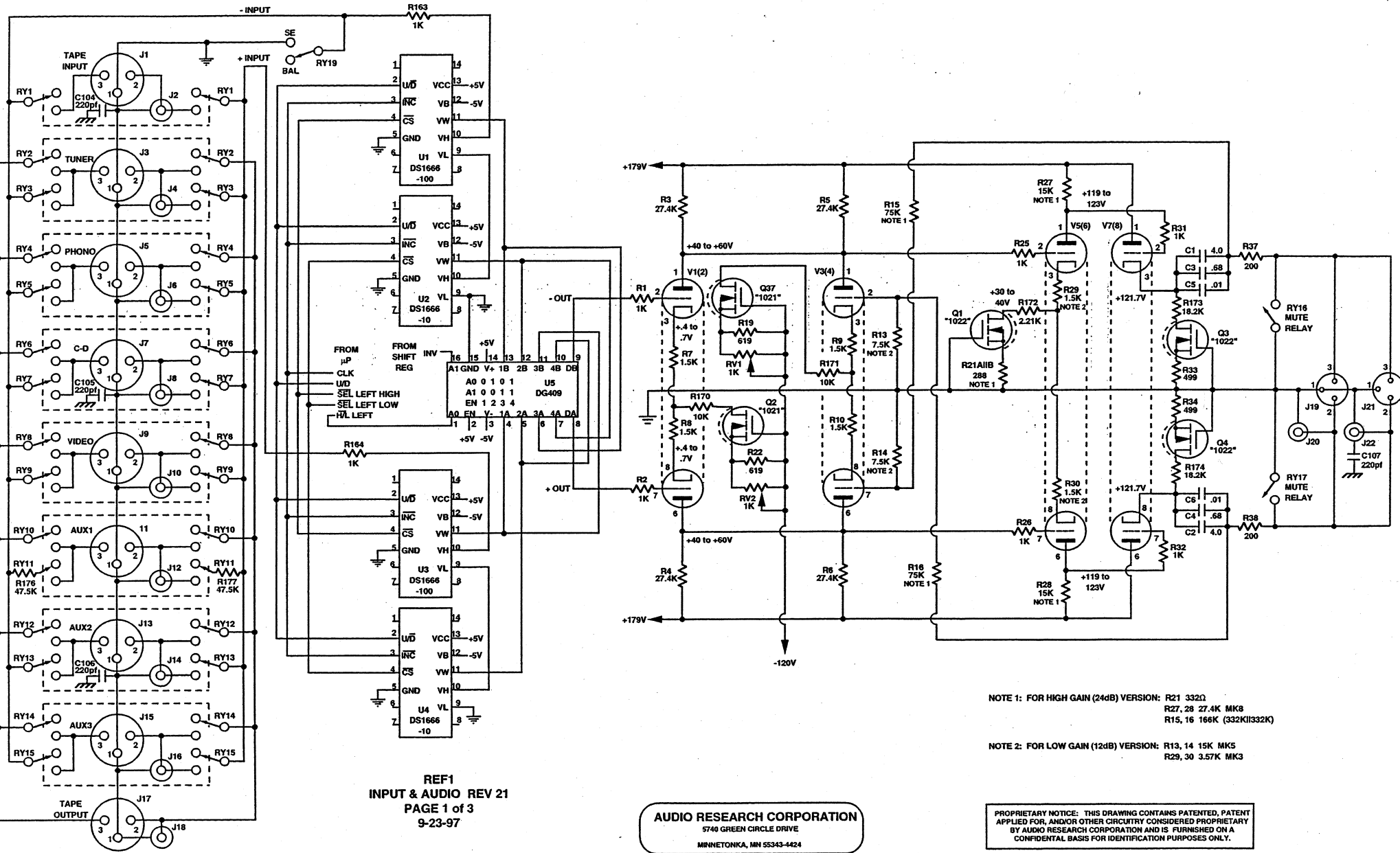
5740 GREEN CIRCLE DRIVE / MINNETONKA, MINNESOTA 55343-4424 / PHONE 612/939-0600 FAX 612/939-0604

ATTN: PHAT

REF1 PREAMPLIFIER

SCHEMATIC

Rev. 21
9-23-97



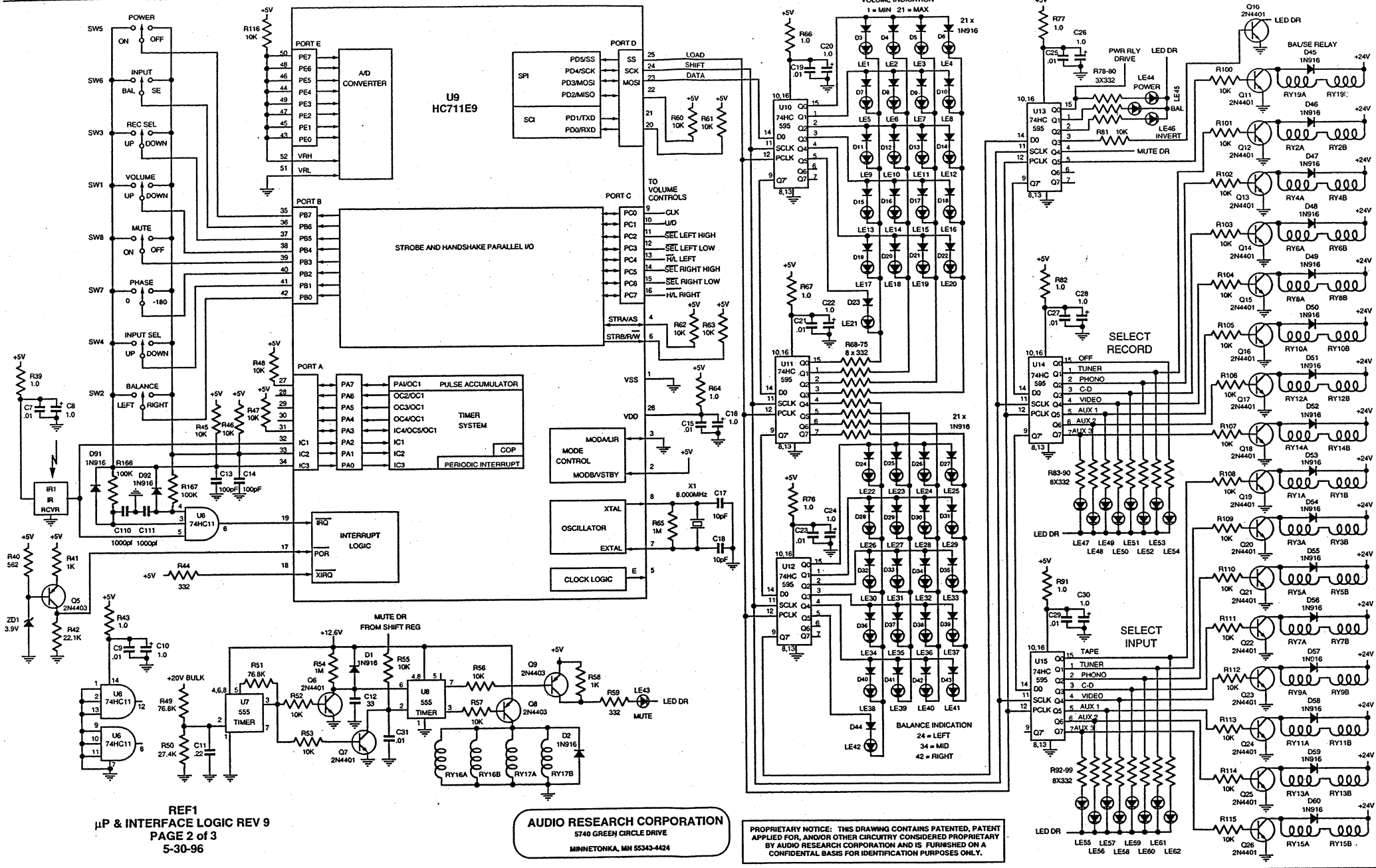
REF1
 INPUT & AUDIO REV 21
 PAGE 1 of 3
 9-23-97

AUDIO RESEARCH CORPORATION
 5740 GREEN CIRCLE DRIVE
 MINNETONKA, MN 55343-4424

NOTE 1: FOR HIGH GAIN (24dB) VERSION: R21 332Ω
 R27, 28 27.4K MK8
 R15, 16 166K (332KII332K)

NOTE 2: FOR LOW GAIN (12dB) VERSION: R13, 14 15K MK5
 R29, 30 3.57K MK3

PROPRIETARY NOTICE: THIS DRAWING CONTAINS PATENTED, PATENT APPLIED FOR, AND/OR OTHER CIRCUITRY CONSIDERED PROPRIETARY BY AUDIO RESEARCH CORPORATION AND IS FURNISHED ON A CONFIDENTIAL BASIS FOR IDENTIFICATION PURPOSES ONLY.

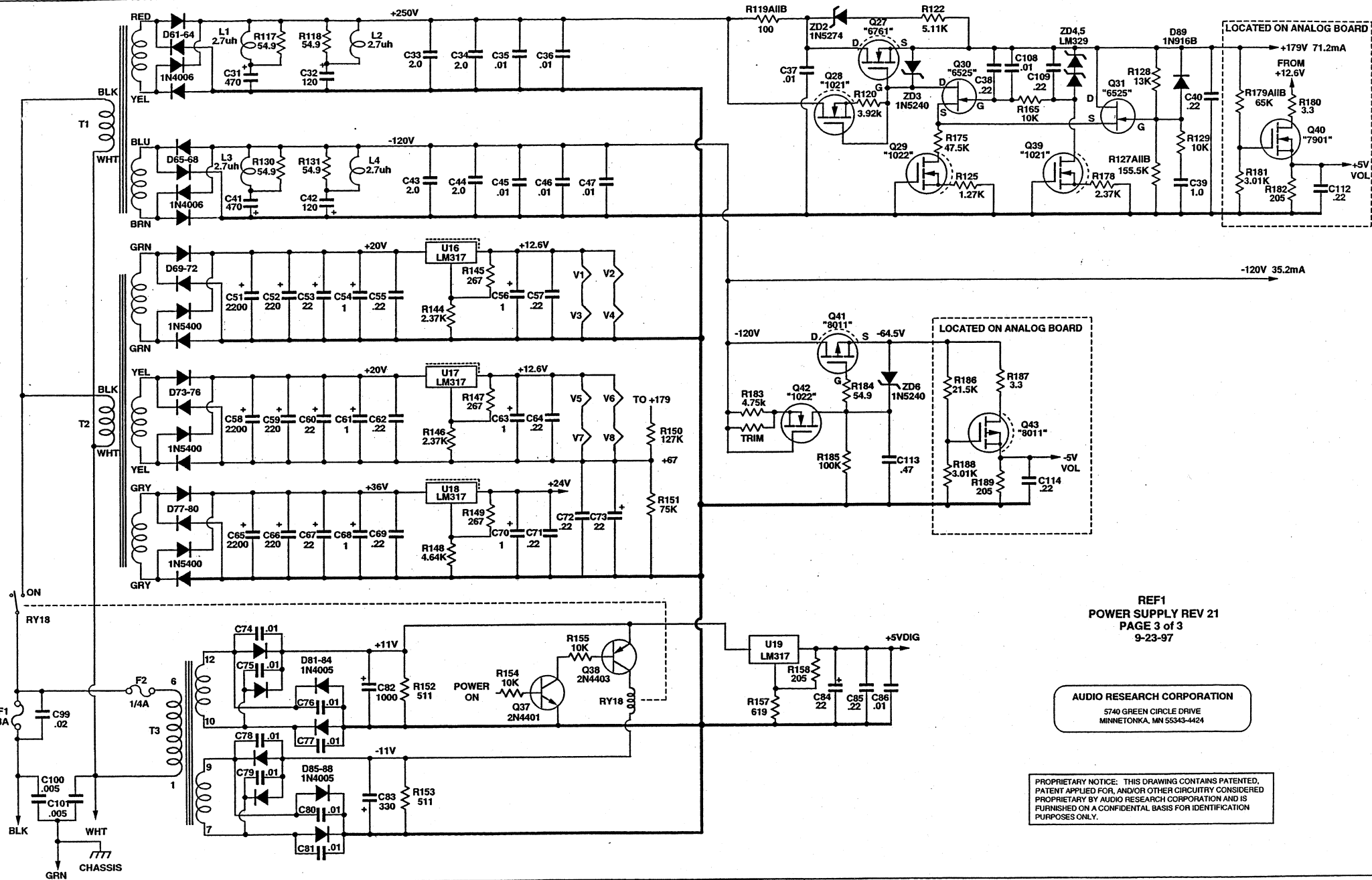


REF1
 µP & INTERLOCK LOGIC REV 9
 PAGE 2 of 3
 5-30-96

AUDIO RESEARCH CORPORATION
 5740 GREEN CIRCLE DRIVE
 MINNETONKA, MN 55343-4424

PROPRIETARY NOTICE: THIS DRAWING CONTAINS PATENTED, PATENT APPLIED FOR, AND/OR OTHER CIRCUITRY CONSIDERED PROPRIETARY BY AUDIO RESEARCH CORPORATION AND IS FURNISHED ON A CONFIDENTIAL BASIS FOR IDENTIFICATION PURPOSES ONLY.

CHECK U7 + U8 TIMERS. CK C12 CAPACITOR. CHECK FOR 5 VOLT SUPPLY + 12.6V OUTPUT TO RELAYS



REF1
 POWER SUPPLY REV 21
 PAGE 3 of 3
 9-23-97

AUDIO RESEARCH CORPORATION
 5740 GREEN CIRCLE DRIVE
 MINNETONKA, MN 55343-4424

PROPRIETARY NOTICE: THIS DRAWING CONTAINS PATENTED, PATENT APPLIED FOR, AND/OR OTHER CIRCUITRY CONSIDERED PROPRIETARY BY AUDIO RESEARCH CORPORATION AND IS FURNISHED ON A CONFIDENTIAL BASIS FOR IDENTIFICATION PURPOSES ONLY.