

REF2MKII PREAMPLIFIER

SCHEMATIC

BAL GAIN/LOSS:

-5.9dB
PAD

+12.2dB
Q1-4

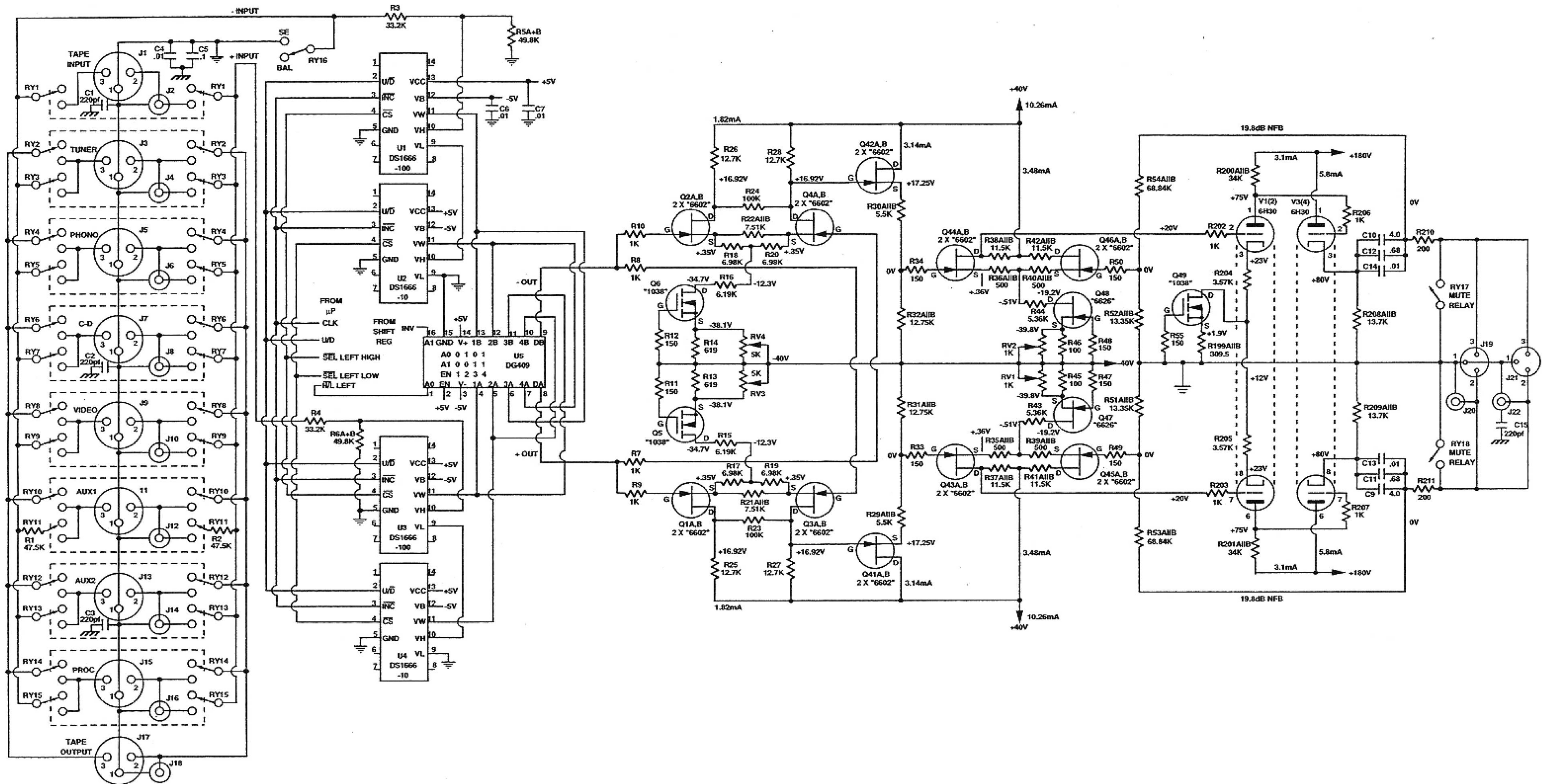
-3.1dB
Q41-42

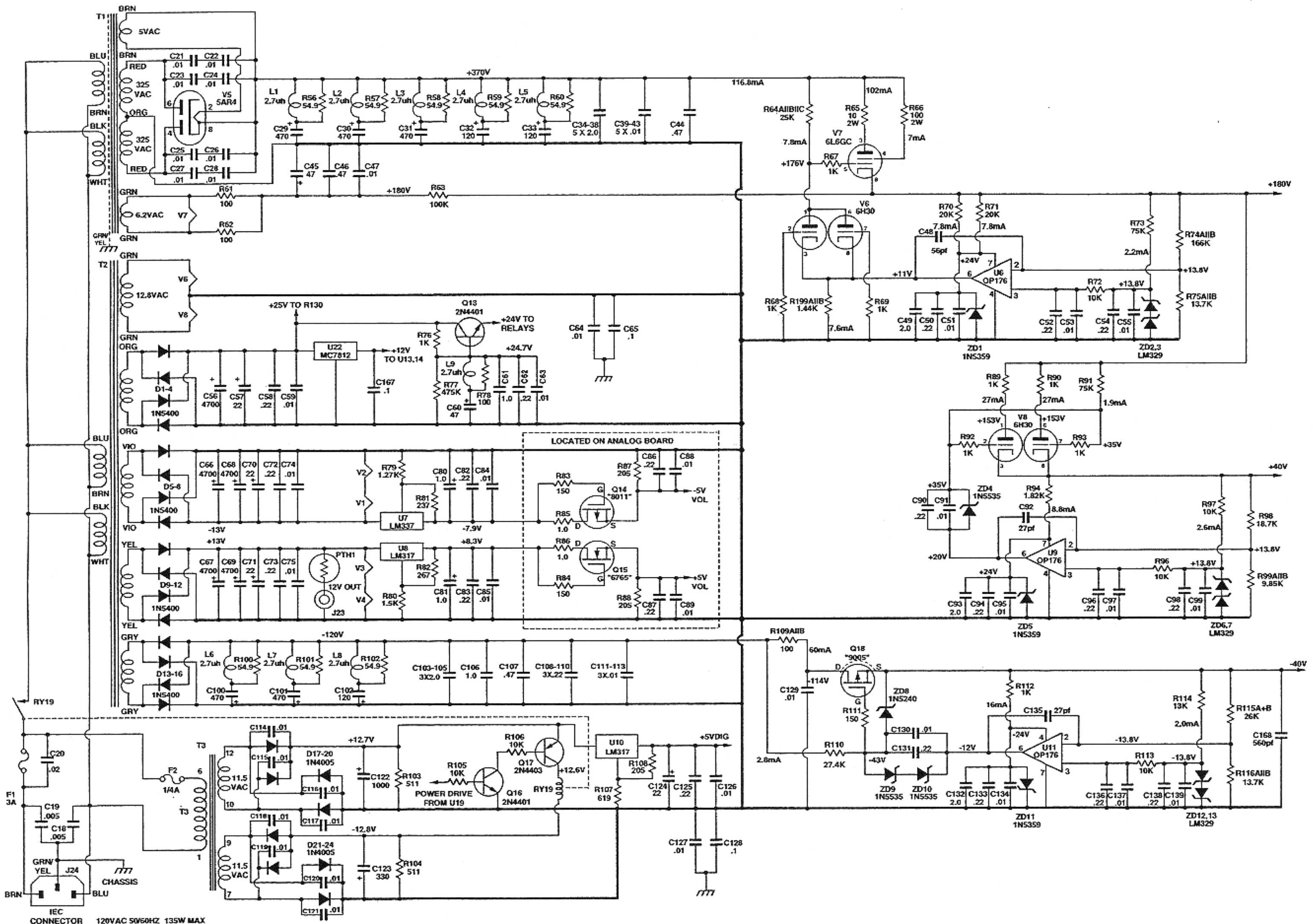
+0.8dB
Q43-46

+14.7dB
V1

-0.6dB
V3

+18.1dB
OVERALL





REF 2 MKII
 POWER SUPPLY
 REV 4
 PAGE 2 of 3
 5-7-01

