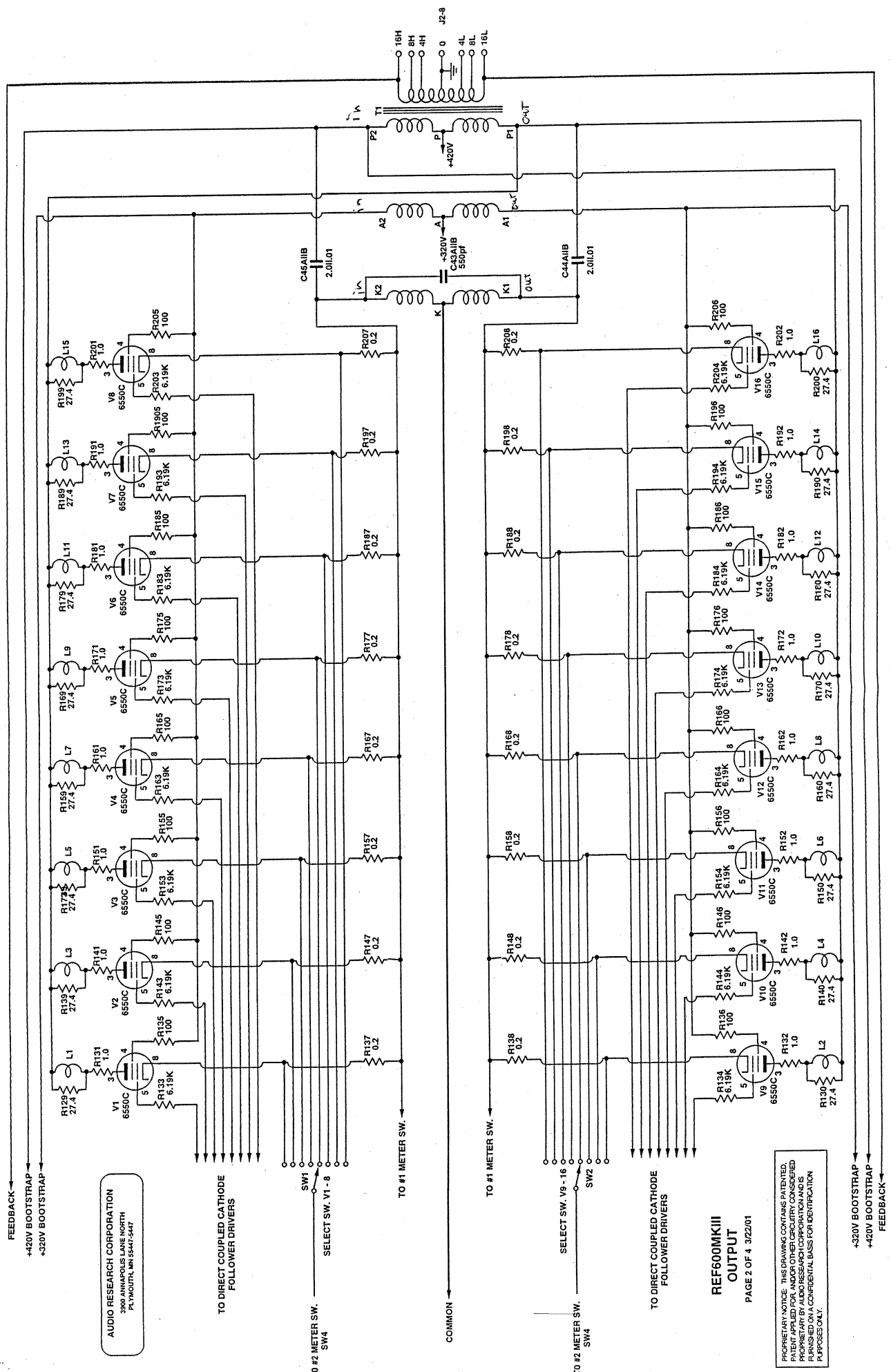


PROPRIETARY NOTICE: THE DRAWING CONTAINS PATENTED INFORMATION. NO PART OF THIS DRAWING IS TO BE REPRODUCED OR TRANSMITTED IN ANY FORM OR BY ANY MEANS, ELECTRONIC OR MECHANICAL, INCLUDING PHOTOCOPYING, RECORDING, OR BY ANY INFORMATION STORAGE AND RETRIEVAL SYSTEM, WITHOUT PERMISSION IN WRITING FROM THE AUDIO RESEARCH CORPORATION. THIS DOCUMENT IS CONFIDENTIAL AND IS TO BE KEPT AS SUCH. ANY DISCLOSURE OF THIS DOCUMENT IS PROHIBITED.

AUDIO RESEARCH CORPORATION
 3800 ANNAPOLIS LANE NORTH
 P.O. BOX 100
 ANNAPOLIS, MARYLAND 21403

REF600MKIII
 INPUT
 PAGE 1 OF 4 3/20/01

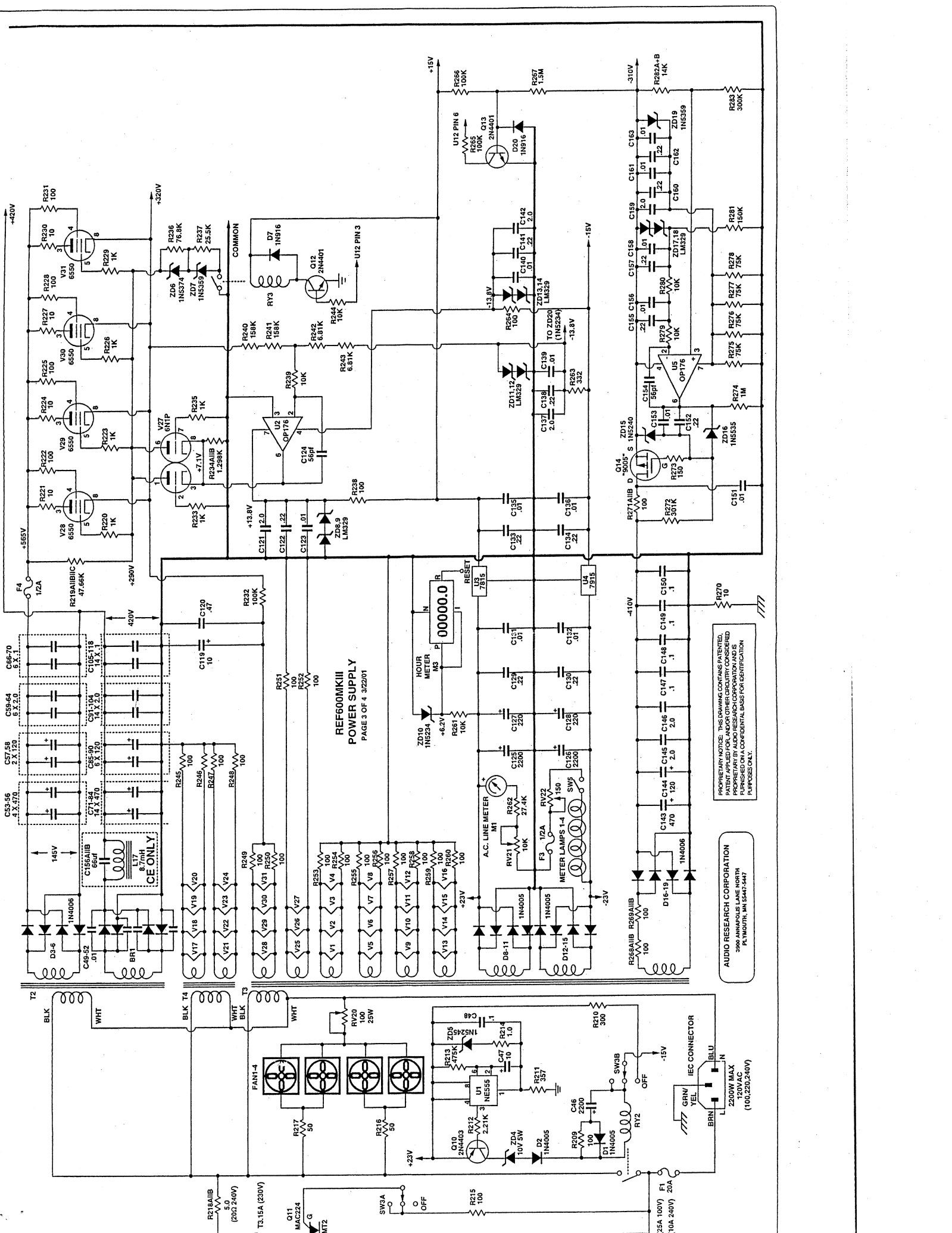


AUDIO RESEARCH CORPORATION
 300 AVENUE J, WASHINGTON
 PARKWAY, WASHINGTON, D.C.

**REF600MKIII
 OUTPUT**

PAGE 2 OF 4 3/22/01

PROPRIETARY NOTICE: THIS DRAWING CONTAINS PATENTED
 INFORMATION AND IS THE PROPERTY OF AUDIO RESEARCH CORPORATION AND IS
 FURNISHED ON A CONFIDENTIAL BASIS FOR IDENTIFICATION
 PURPOSES ONLY.

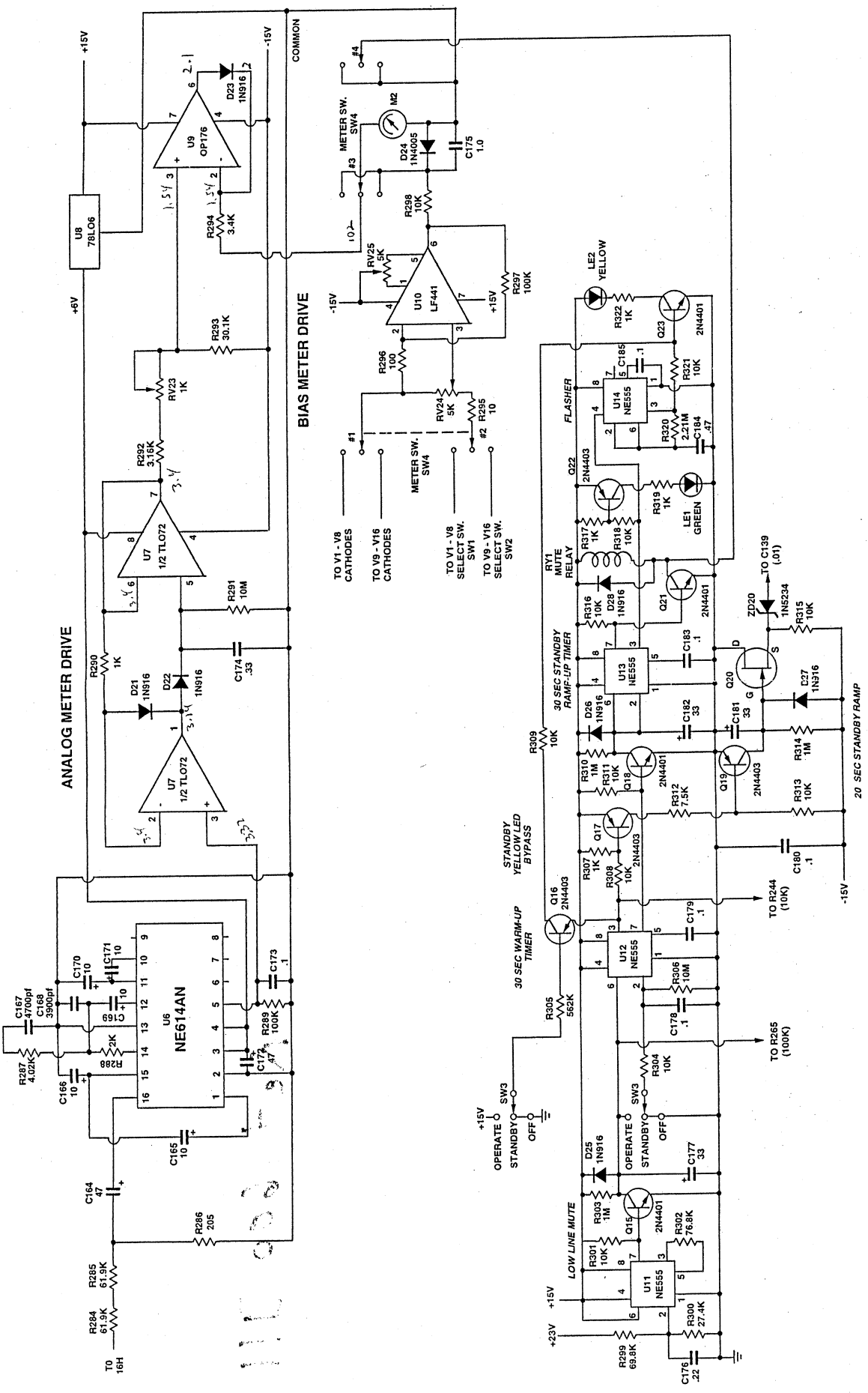


**REF600MKIII
POWER SUPPLY**
PAGE 3 OF 4 3/22/01

PROPRIETARY NOTICE: THIS DRAWING CONTAINS PATENTED, PATENT APPLIED FOR, AND/OR OTHER COUNTRY CONSIDERED PROPRIETARY BY AUDIO RESEARCH CORPORATION. NO REPRODUCTION OR COPIING PERMITTED WITHOUT THE WRITTEN PERMISSION OF AUDIO RESEARCH CORPORATION FOR IDENTIFICATION PURPOSES ONLY.

AUDIO RESEARCH CORPORATION
3900 ANNAPOLIS LANE NORTH
P.O. BOX 1000
ANNAPOLIS, MD 21403-1000

2200W MAX
120VAC
(100, 220, 240V)



PROPRIETARY NOTICE: THIS DRAWING CONTAINS PATENTED, UNPUBLISHED INFORMATION AND IS THE PROPERTY OF AUDIO RESEARCH CORPORATION. NO PART OF THIS DRAWING IS TO BE REPRODUCED OR TRANSMITTED IN ANY FORM OR BY ANY MEANS, ELECTRONIC OR MECHANICAL, INCLUDING PHOTOCOPYING, RECORDING, OR BY ANY INFORMATION STORAGE AND RETRIEVAL SYSTEM, WITHOUT THE WRITTEN PERMISSION OF AUDIO RESEARCH CORPORATION. THIS DRAWING IS FURNISHED ON A CONFIDENTIAL BASIS FOR IDENTIFICATION PURPOSES ONLY.

AUDIO RESEARCH CORPORATION
3800 ANNAPOLIS LANE NORTH
PLYMOUTH, MINN 55447-5447

REF600MKIII
SOFT START, METER DRIVE
PAGE 4 OF 4
3-22-01